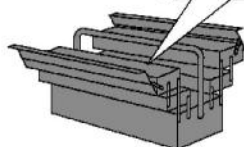
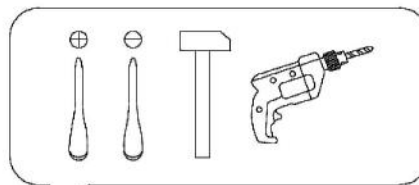
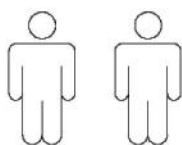
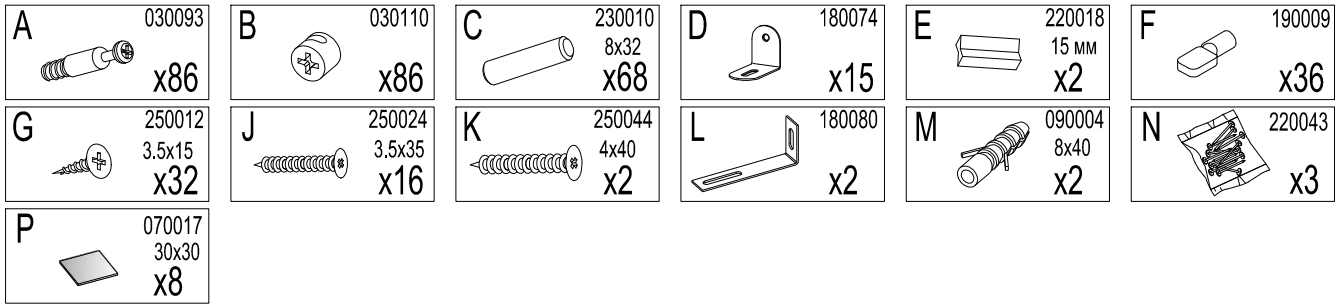
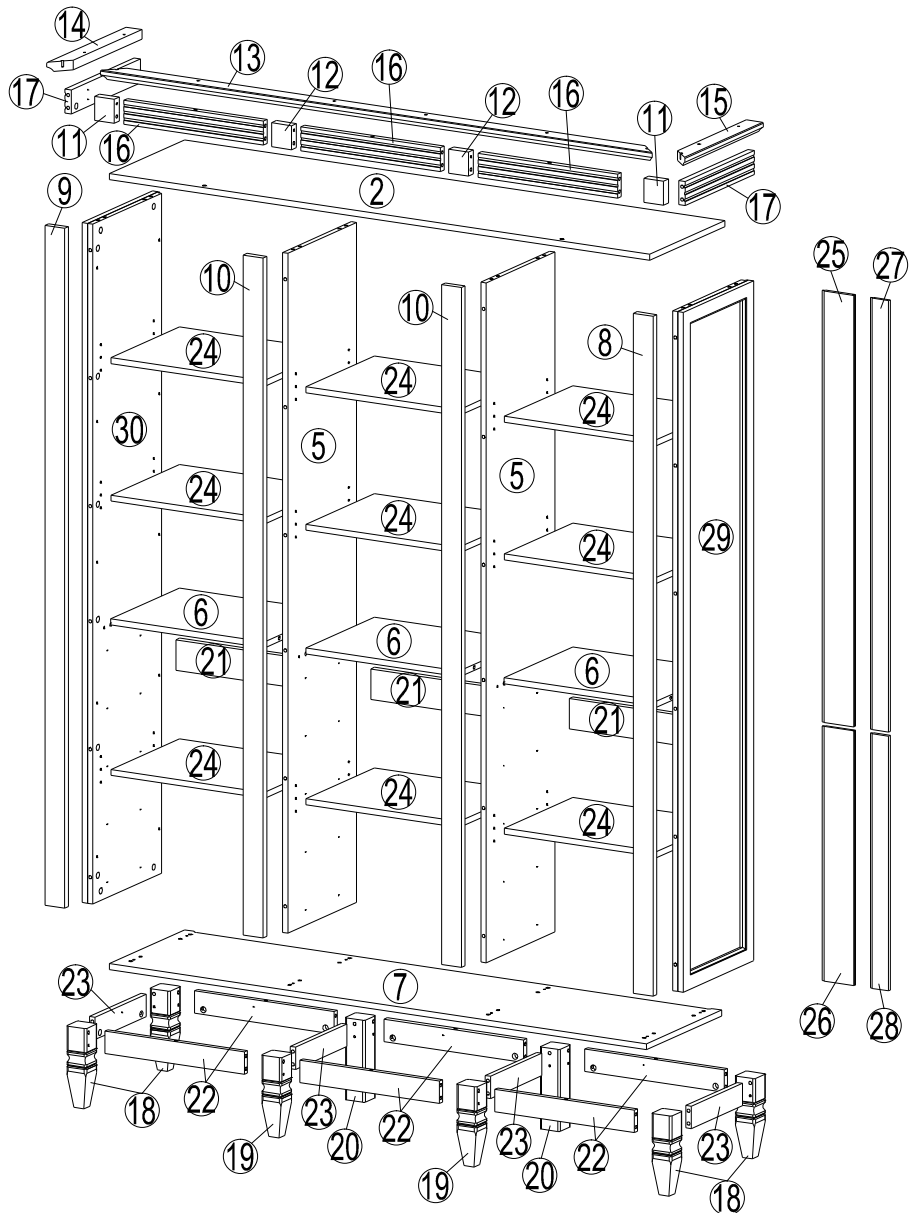


- | | | | |
|-----------|------------------------------------|-----------|--------------------------------|
| D | Montageanleitung | GB | Assembly instructions |
| FR | Notice de montage | IT | Istruzioni di montaggio |
| NL | Handleiding voor de montage | PL | Instrukcja montażu |
| CZ | Montážní návod | SK | Návod na montáž |
| HU | Szerelési útmutató | RO | Instrukțiuni de montaj |
| TR | Montaj talimatı | RU | Инструкция по монтажу |

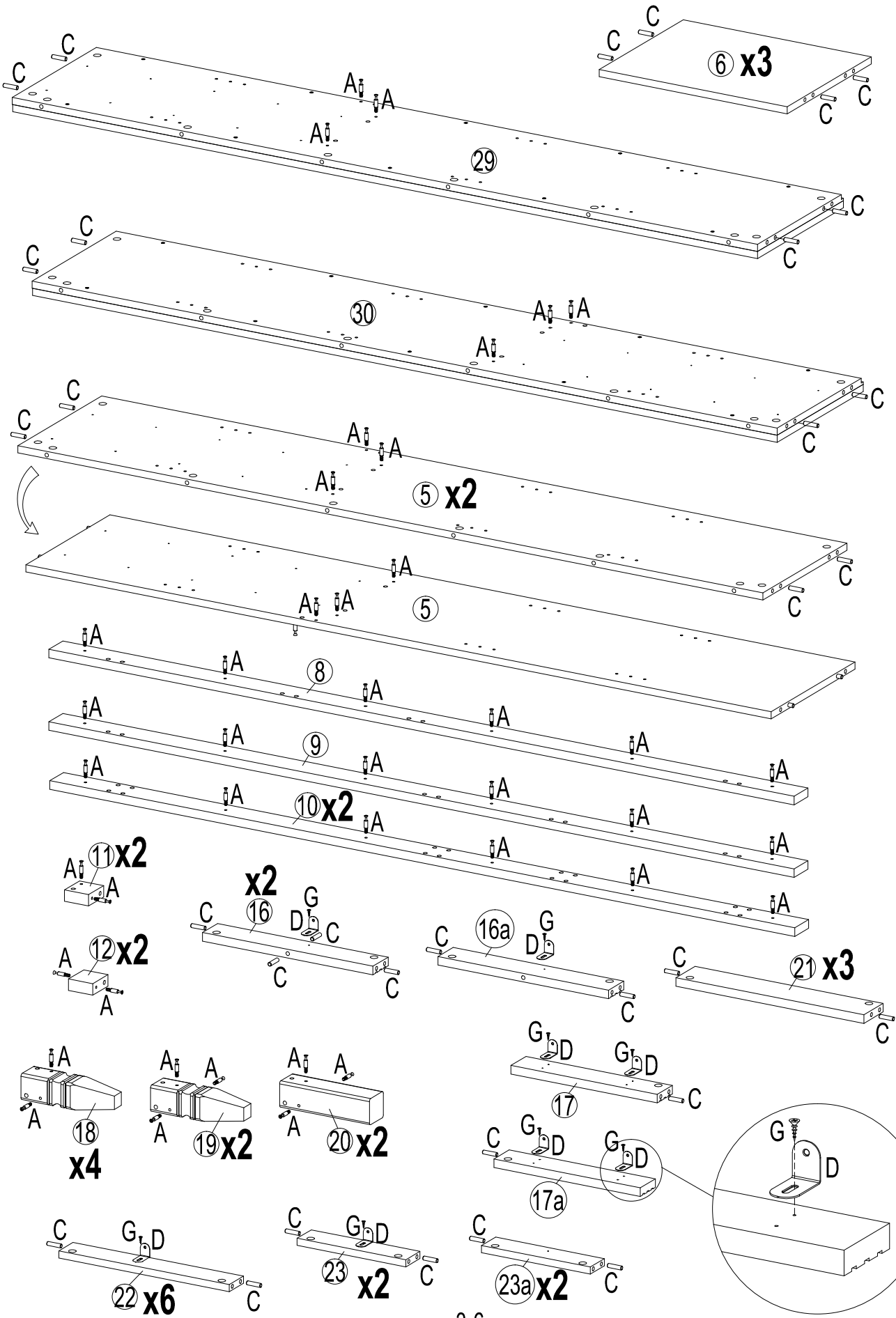
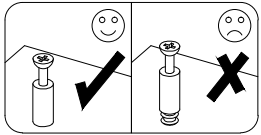





№	Size/MaB (mm)	Qty	√
2	1398x363x15	1	
5	1700x332x15	2	
6	429x332x15	3	
7	1398x363x15	1	
8	1700x55x18	1	
9	1700x55x18	1	
10	1700x55x18	2	
11	60x55x24	2	
12	60x55x24	2	
13	1430x44x24	1	
14	379x44x24	1	
15	379x44x24	1	
16	389x60x18	3	
17	334x60x18	2	
18	205x55x55	4	
19	205x55x55	2	
20	205x55x55	2	
21	429x76x18	3	
22	389x56x15	6	
23	248x56x15	4	
24	428x331x15	9	
25	1079x89x8	15	
26	637x89x8	15	
27	1079x52x8	1	
28	637x52x8	1	
29	1700x340x30	1	
30	1700x340x30	1	

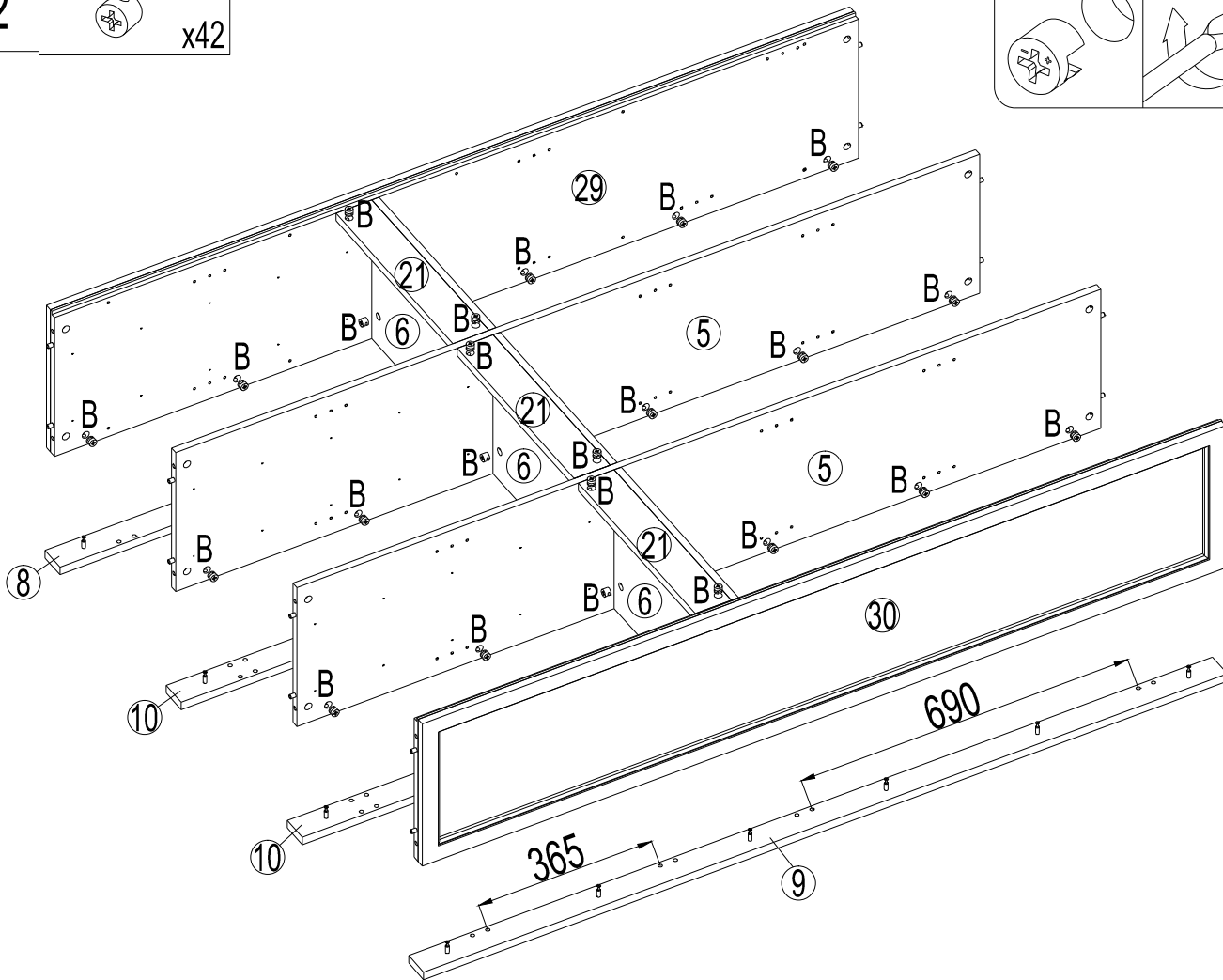
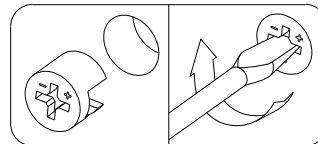


1	A	030093 x70	C	230010 8x32 x66	D	180074 x15	G	250012 3.5x15 x15

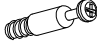






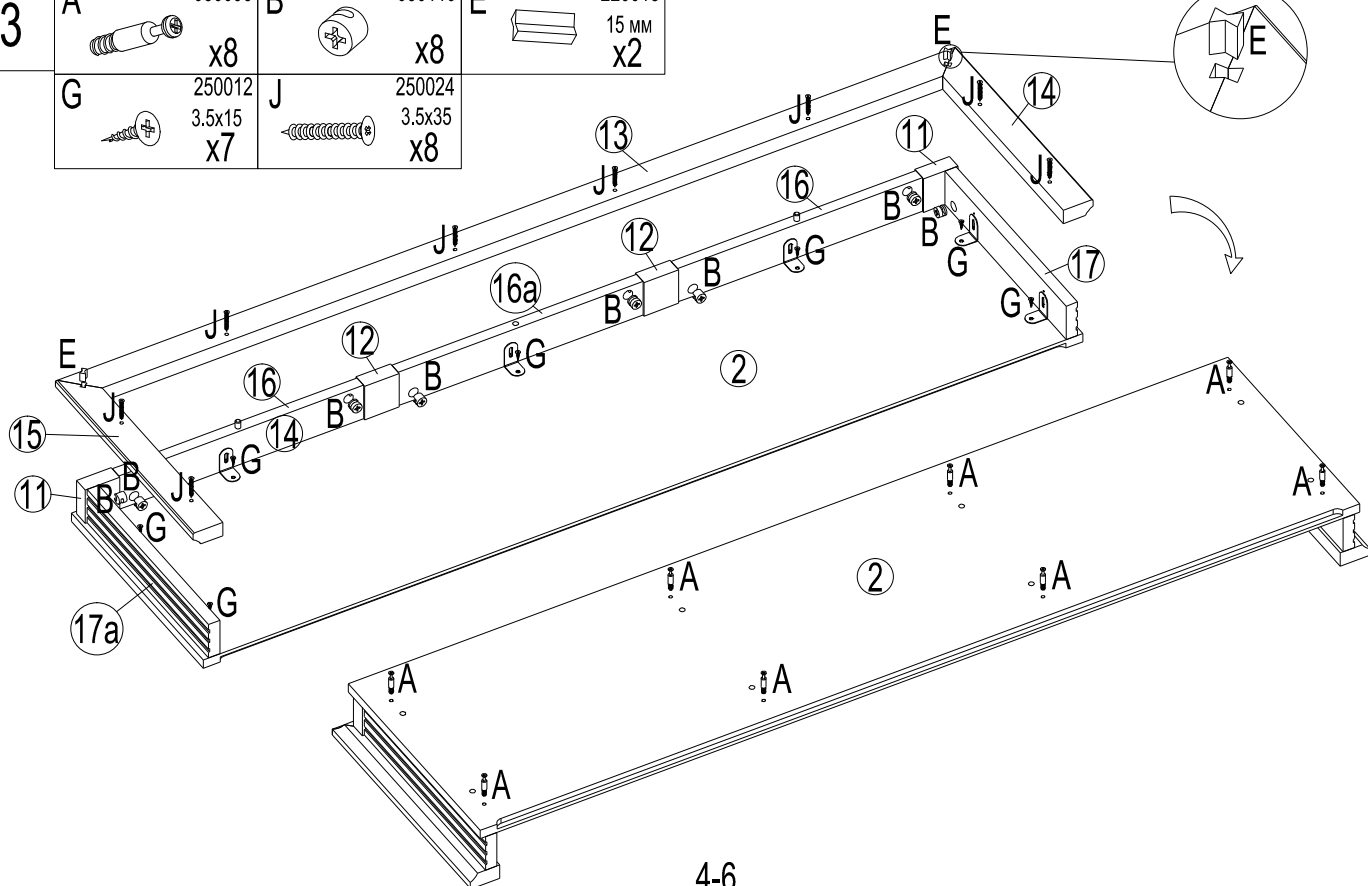
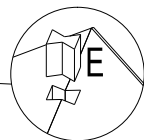
2

B	030110
	x42

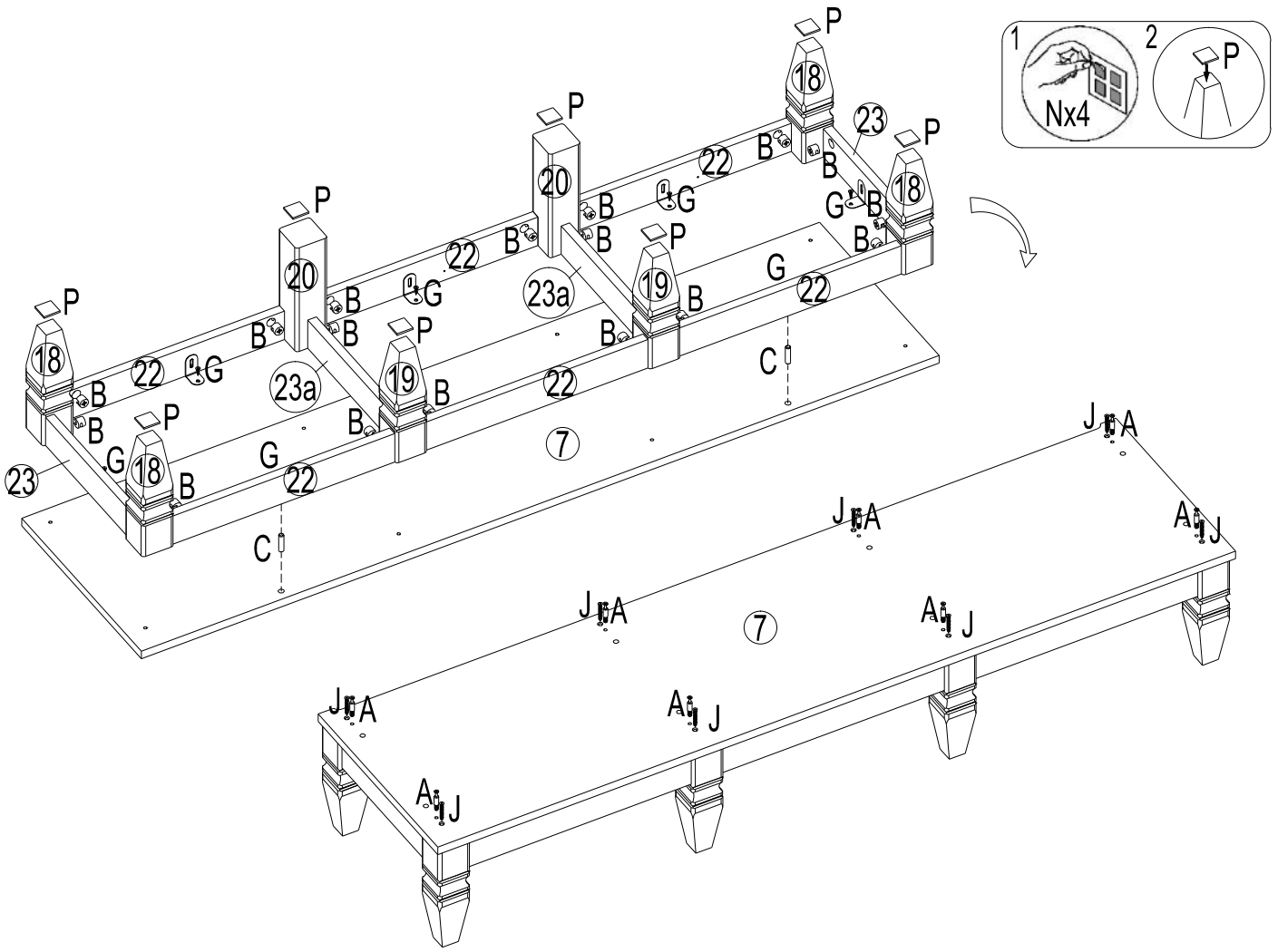


3

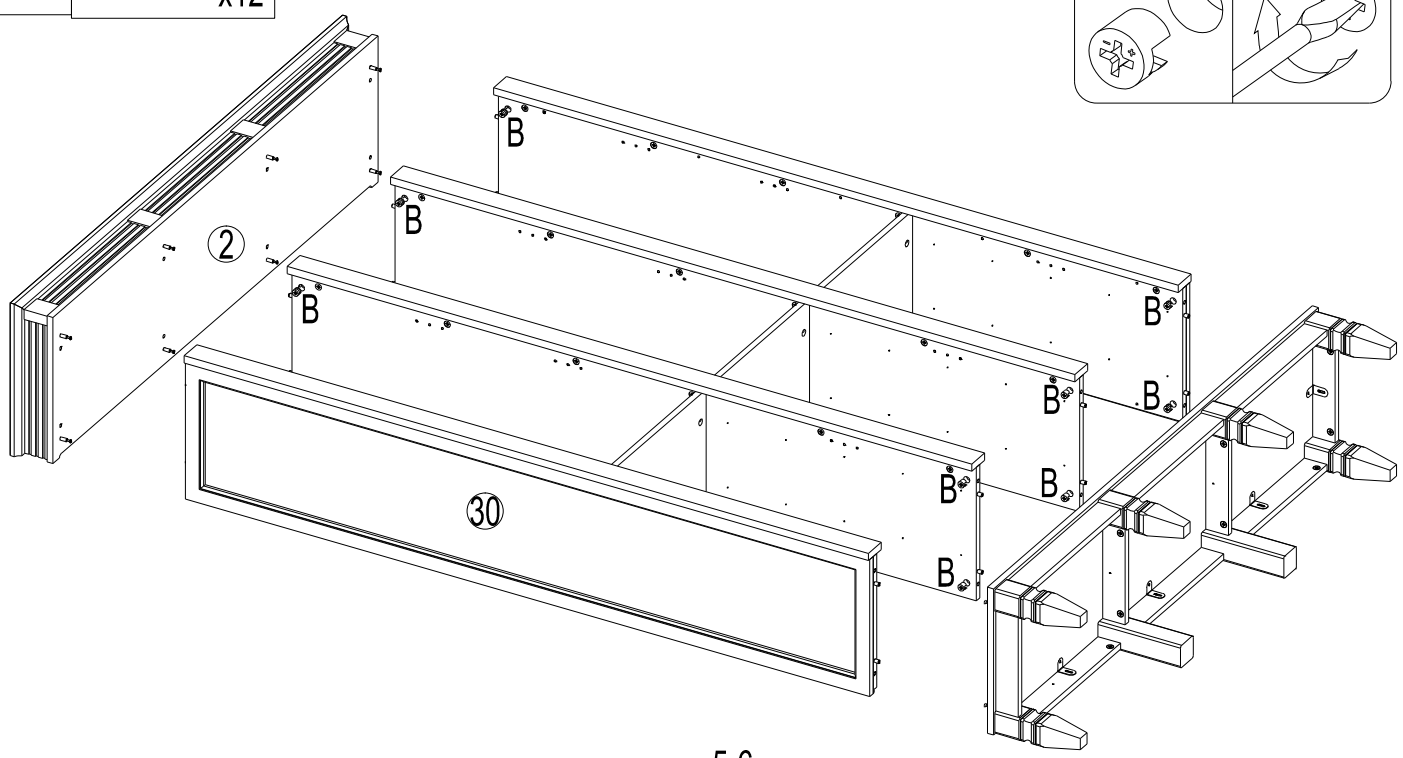
A	030093	B	030110	E	220018
	x8		x8		15 MM
					x2
G	250012	J	250024		
	3.5x15		3.5x35		
	x7		x8		



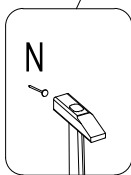
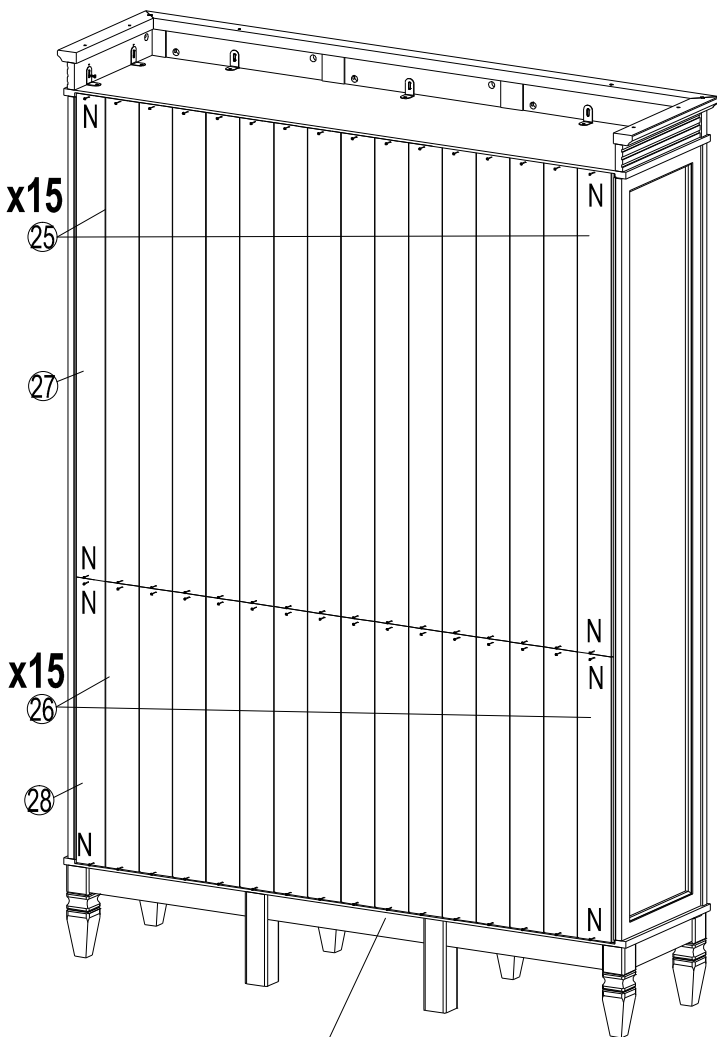
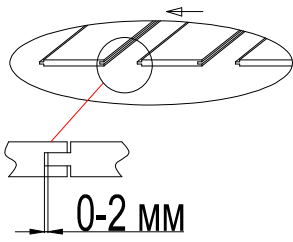
4	A	030093	B	030110	C	230010	G	250012	J	250024	P	070017
		x8		x20		8x32		3.5x15		3.5x35		30x30
						x2		x8		x8		x8



5	B	030110
		x12



6	N	220043
		x3



7	F	190009	G	250012
		x36		3.5x15
	K	250044	L	180080
		4x40		x2
		x2		x2
	M	090004		
		8x40		
		x2		

