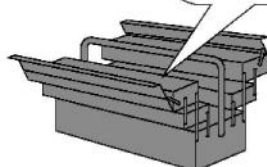
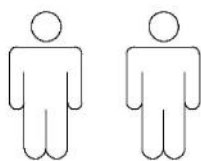
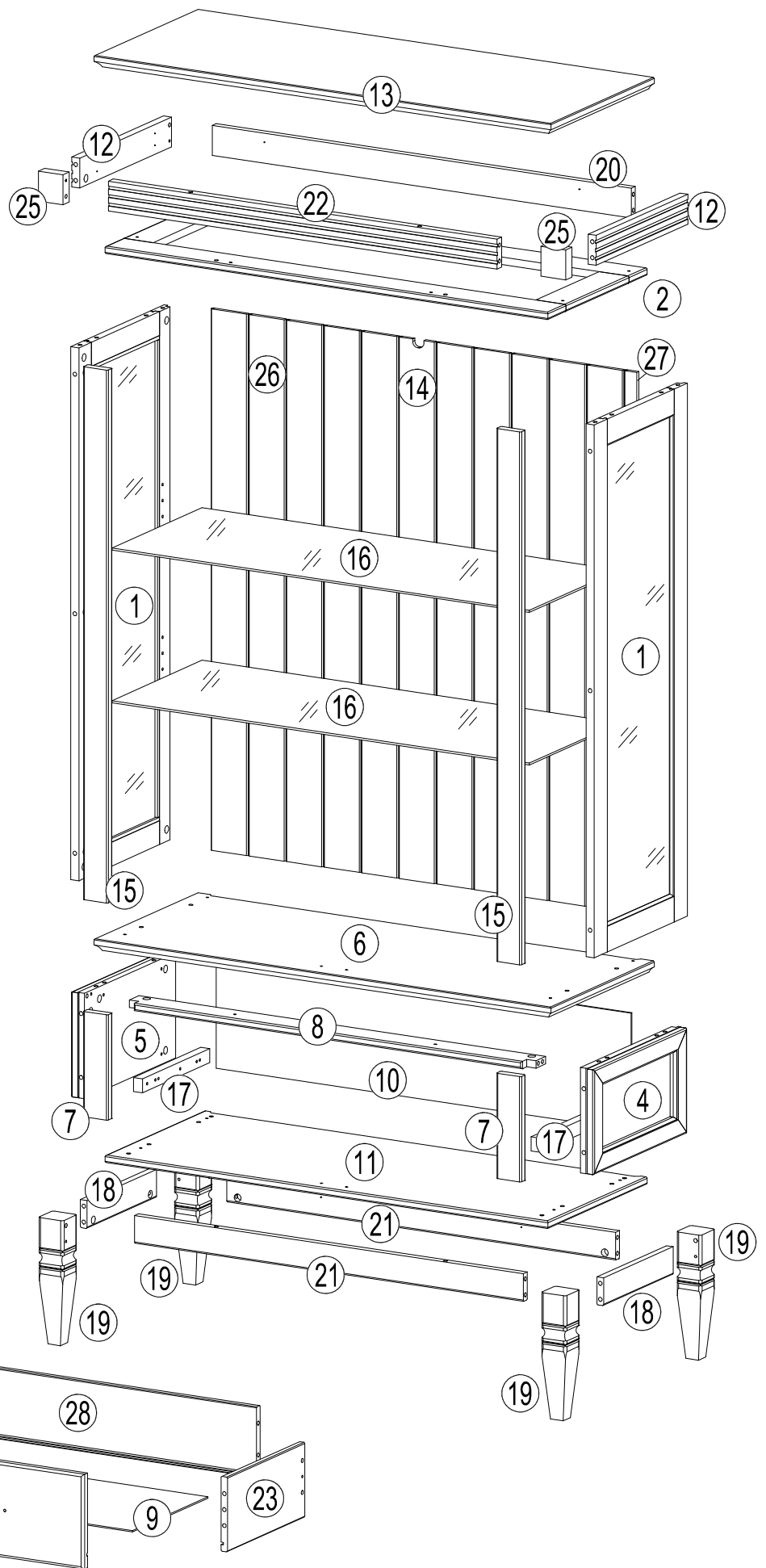
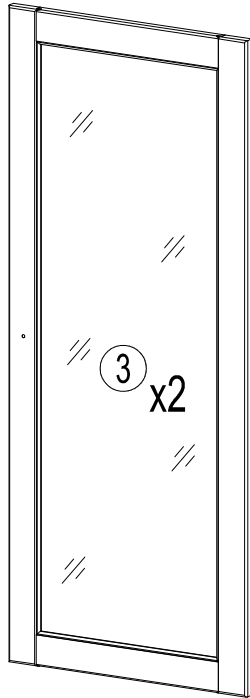


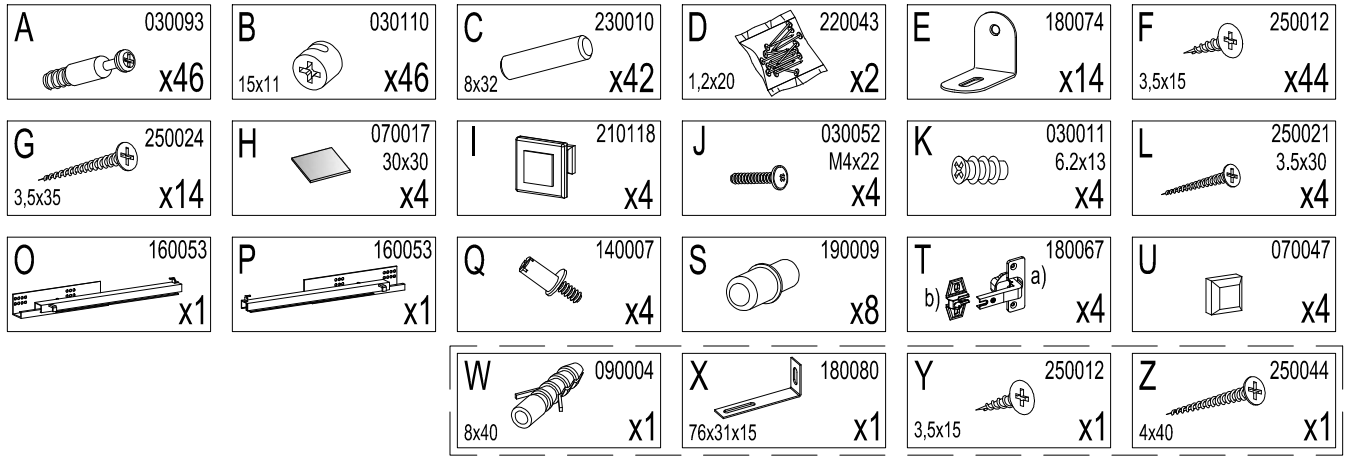
- | | | | |
|-----------|------------------------------------|-----------|--------------------------------|
| D | Montageanleitung | GB | Assembly instructions |
| FR | Notice de montage | IT | Istruzioni di montaggio |
| NL | Handleiding voor de montage | PL | Instrukcja montażu |
| CZ | Montážní návod | SK | Návod na montáž |
| HU | Szerelési útmutató | RO | Instruktluni de montaj |
| TR | Montaj talimatı | RU | Инструкция по монтажу |



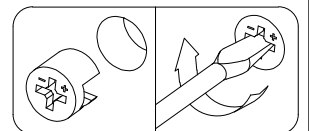
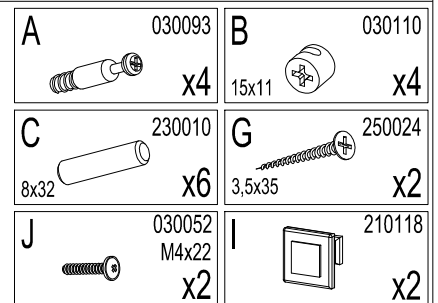
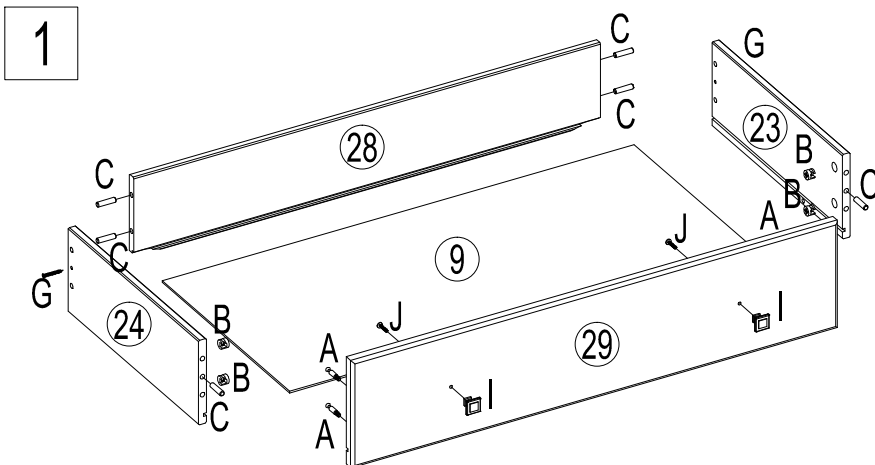
1-8

EAC



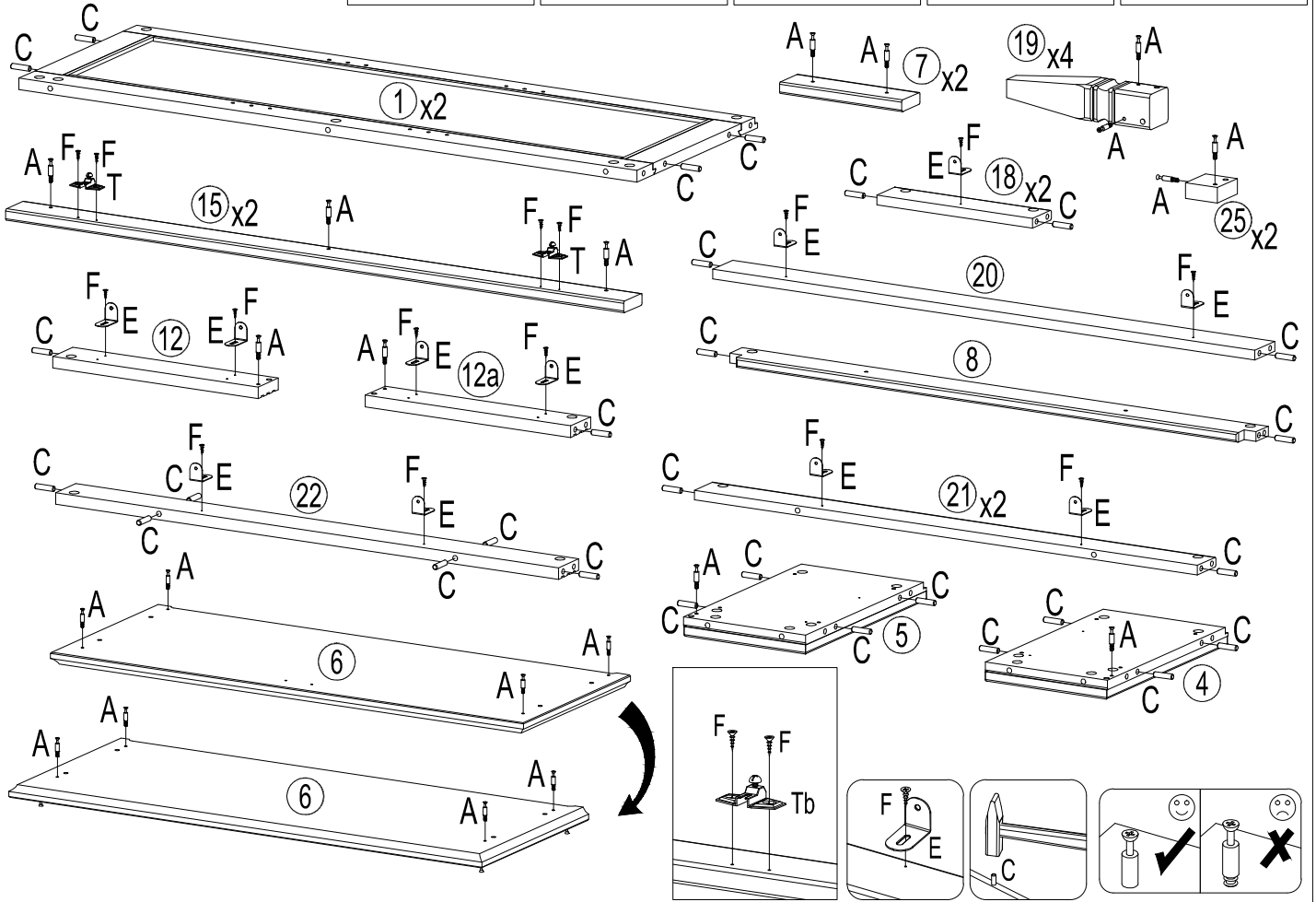


No	Size/MaB (mm)	Qty	✓	No	Size/MaB (mm)	Qty	✓
1	1068x361x18	2		16	933x349x4	2	
2	990x384x15	1		17	260x28x20	2	
3	1062x430x18	2		18	269x56x15	2	
4	211x361x30	1		19	255x55x55	4	
5	211x361x30	1		20	937x60x15	1	
6	1022x400x24	1		21	869x56x15	2	
7	211x55x18	2		22	869x60x18	1	
8	909x56x15	1		23	300x150x14	1	
9	837x292x3	1		24	300x150x14	1	
10	928x235x3	1		25	55x60x24	2	
11	990x384x15	1		26	1085x89x8	10	
12	355x60x18	2		27	1085x29x8	1	
13	1022x400x24	1		28	828x142x14	1	
14	1085x89x8	1		29	863x190x18	1	
15	1068x55x18	2					



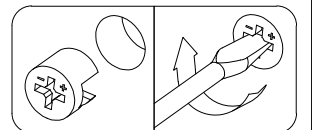
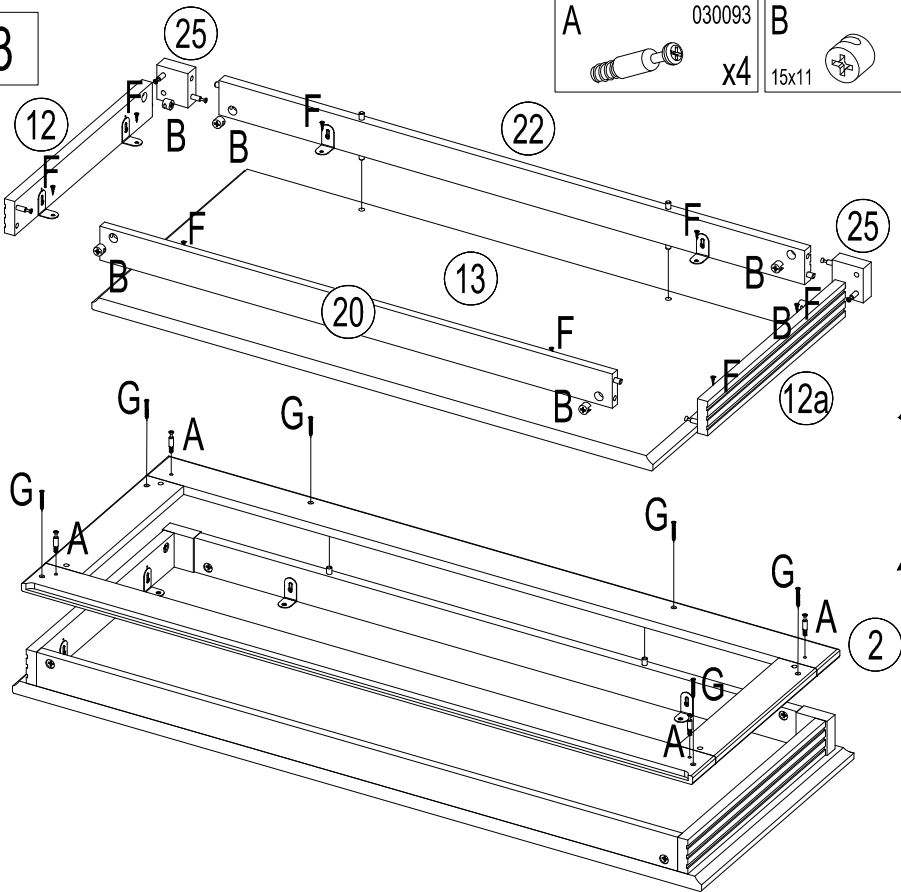
2

A	030093	C	230010	E	180074	F	250012	T	180067
	x34		8x32		x14		3,5x15		x4



3

A	030093	B	030110	F	250012	G	250024
	x4		15x11		3,5x15		3,5x35
			x6		x8		x6



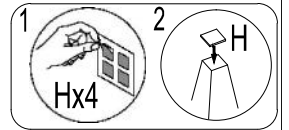
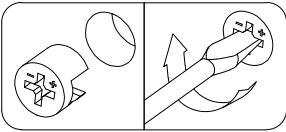
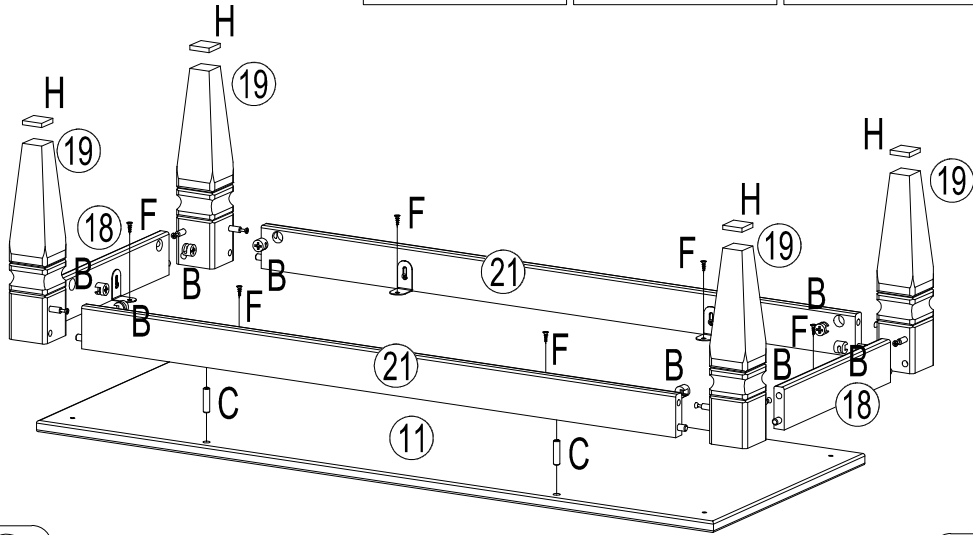
4

B 030110
15x11 x8

C 230010
8x32 x2

F 250012
3,5x15 x6

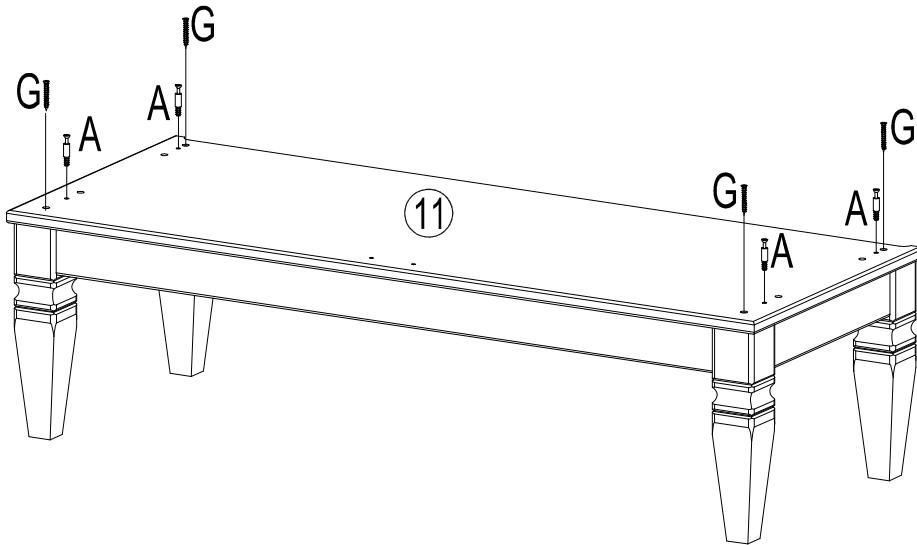
H 070017
30x30 x4



5

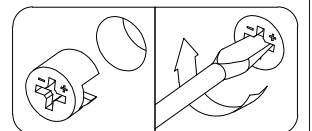
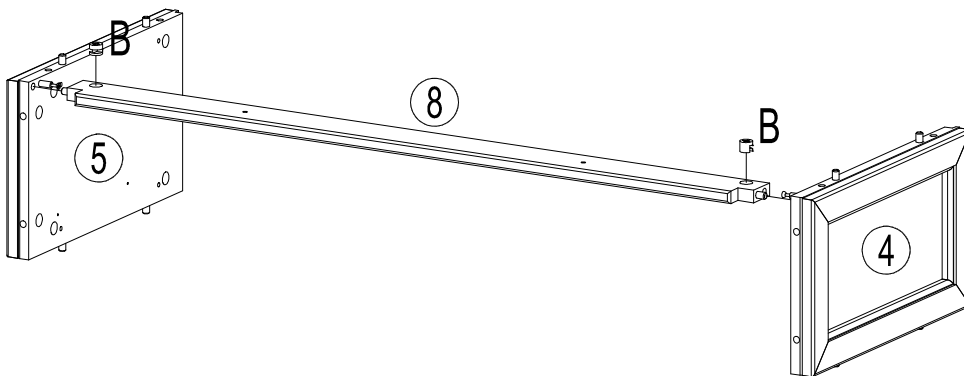
A 030093
x4

G 250024
3,5x35 x4



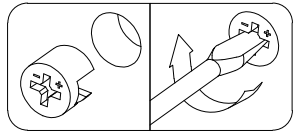
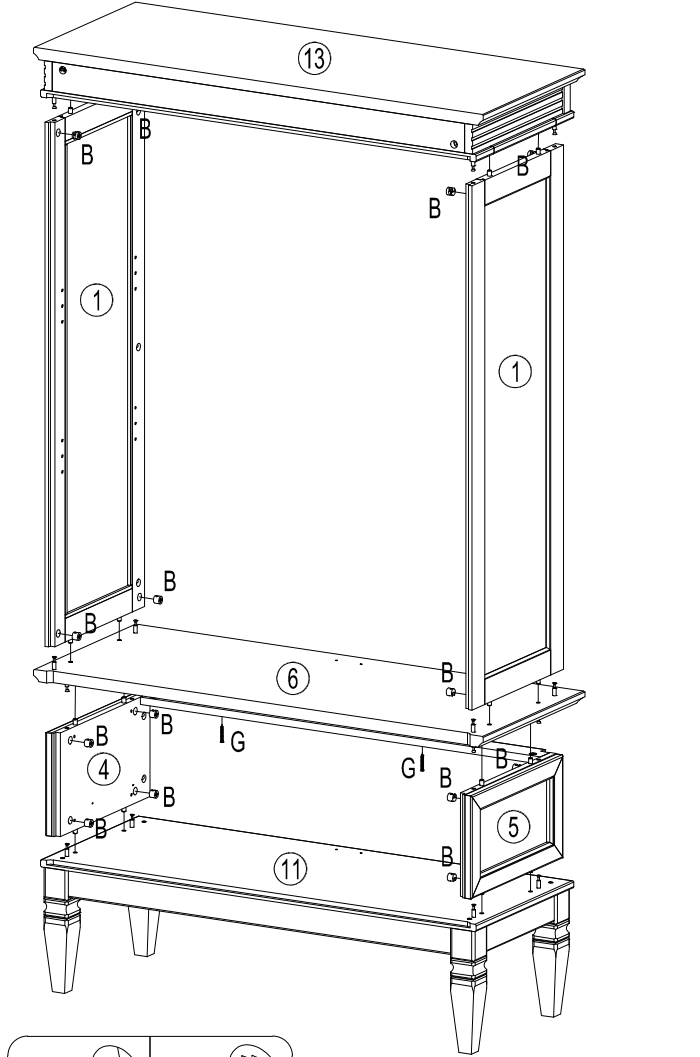
6

B 030110
15x11 x2



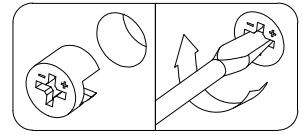
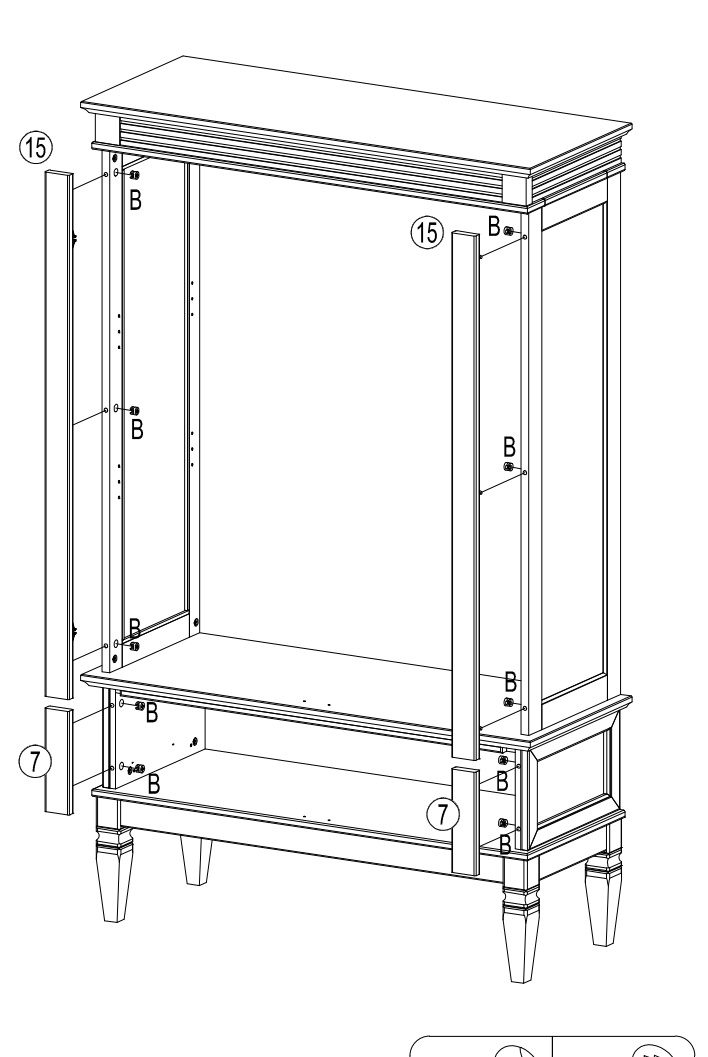
7

B 030110 15x11 x16
G 250024 3,5x35 x2



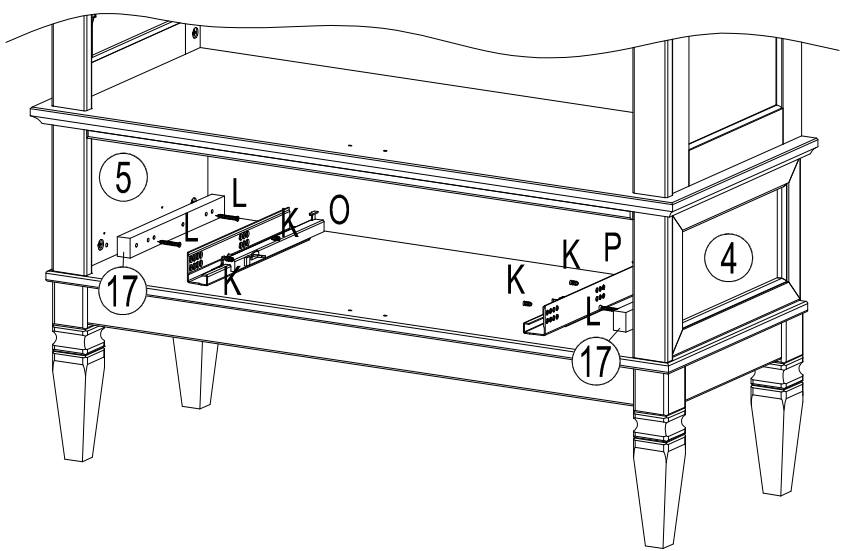
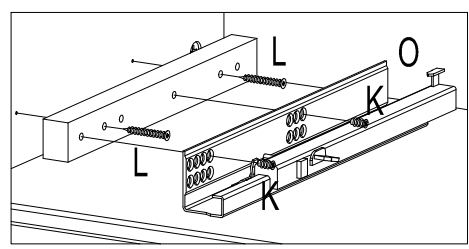
8

B 030110 15x11 x10



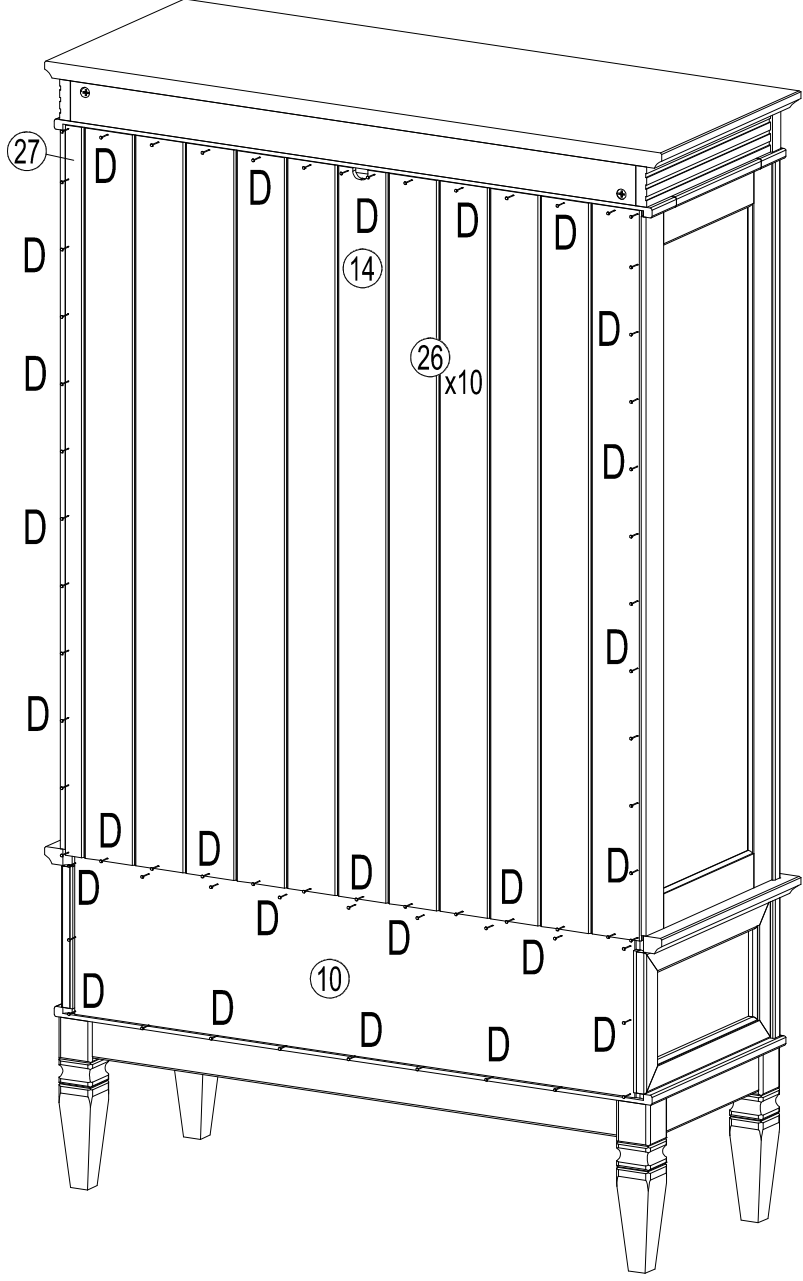
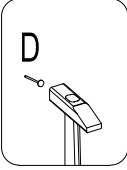
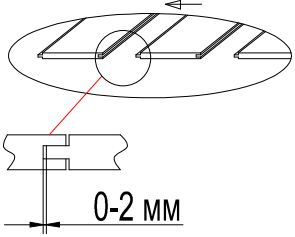
9

K 030011 6.2x13 x4
L 250021 3.5x30 x4
O 160053 x1
P 160053 x1



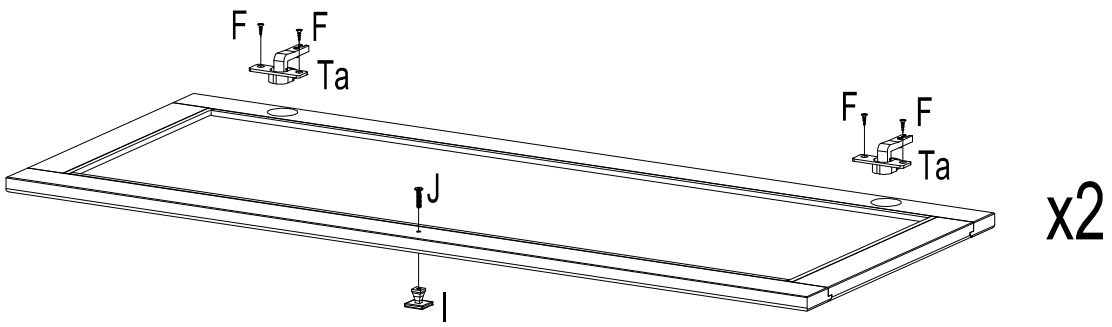
10

D 220043
1,2x20 x2



11

- | | | | |
|-----------------------|----------------|----------------------|-------------------|
| F 250012
3,5x15 x8 | I 210118
x2 | J 030052
M4x22 x2 | T 180067
a) x4 |
|-----------------------|----------------|----------------------|-------------------|



12

W 090004
8x40 x1

X 180080
76x31x15 x1

S 190009
x8

Q 140007
x4

Y 250012
3,5x15 x1

Z 250044
4x40 x1

U 070047
x4

