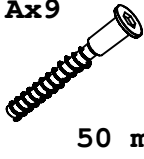
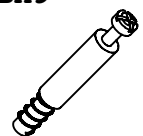


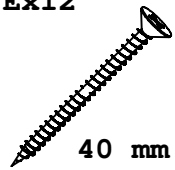

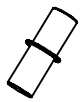


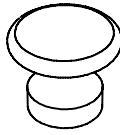


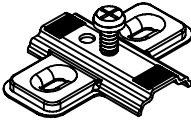
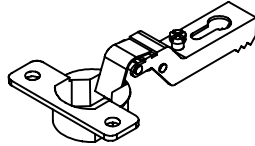
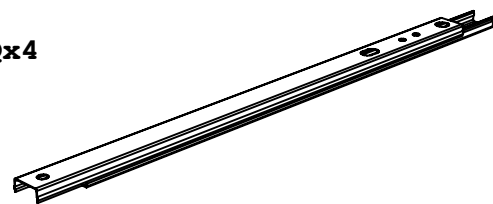
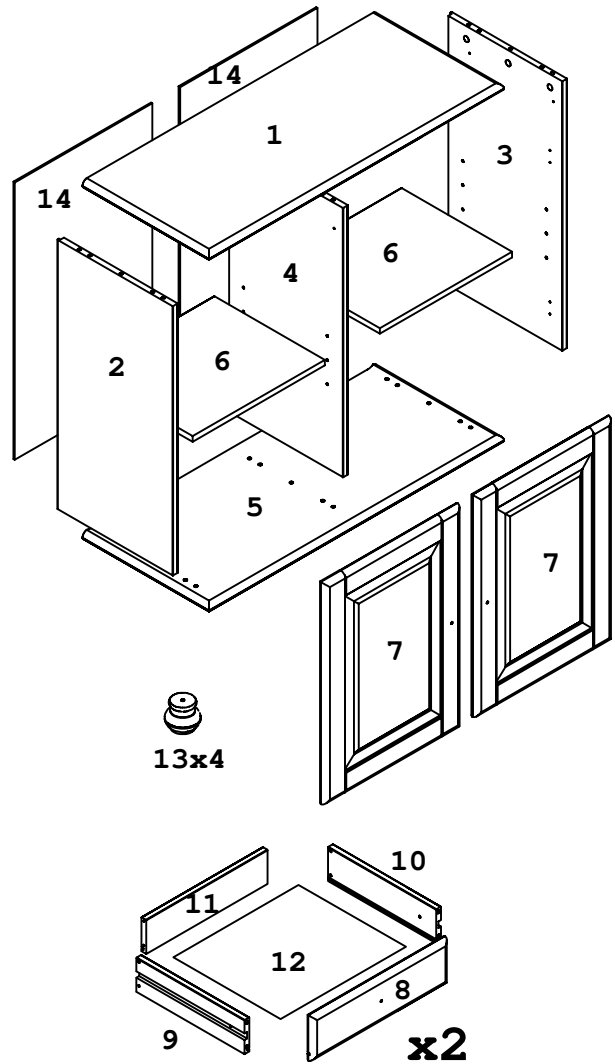
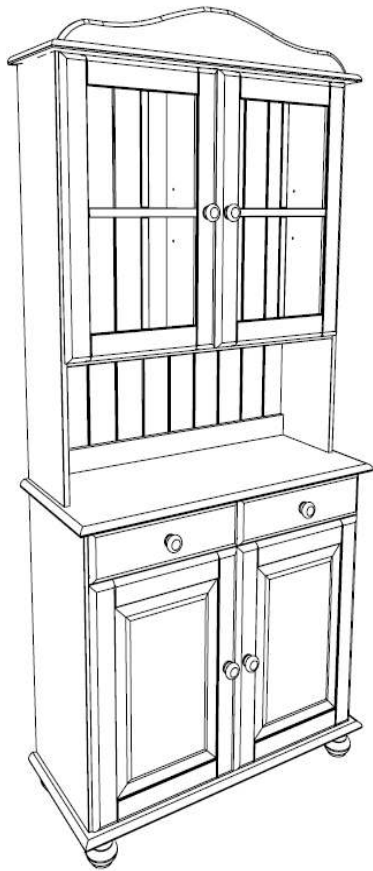
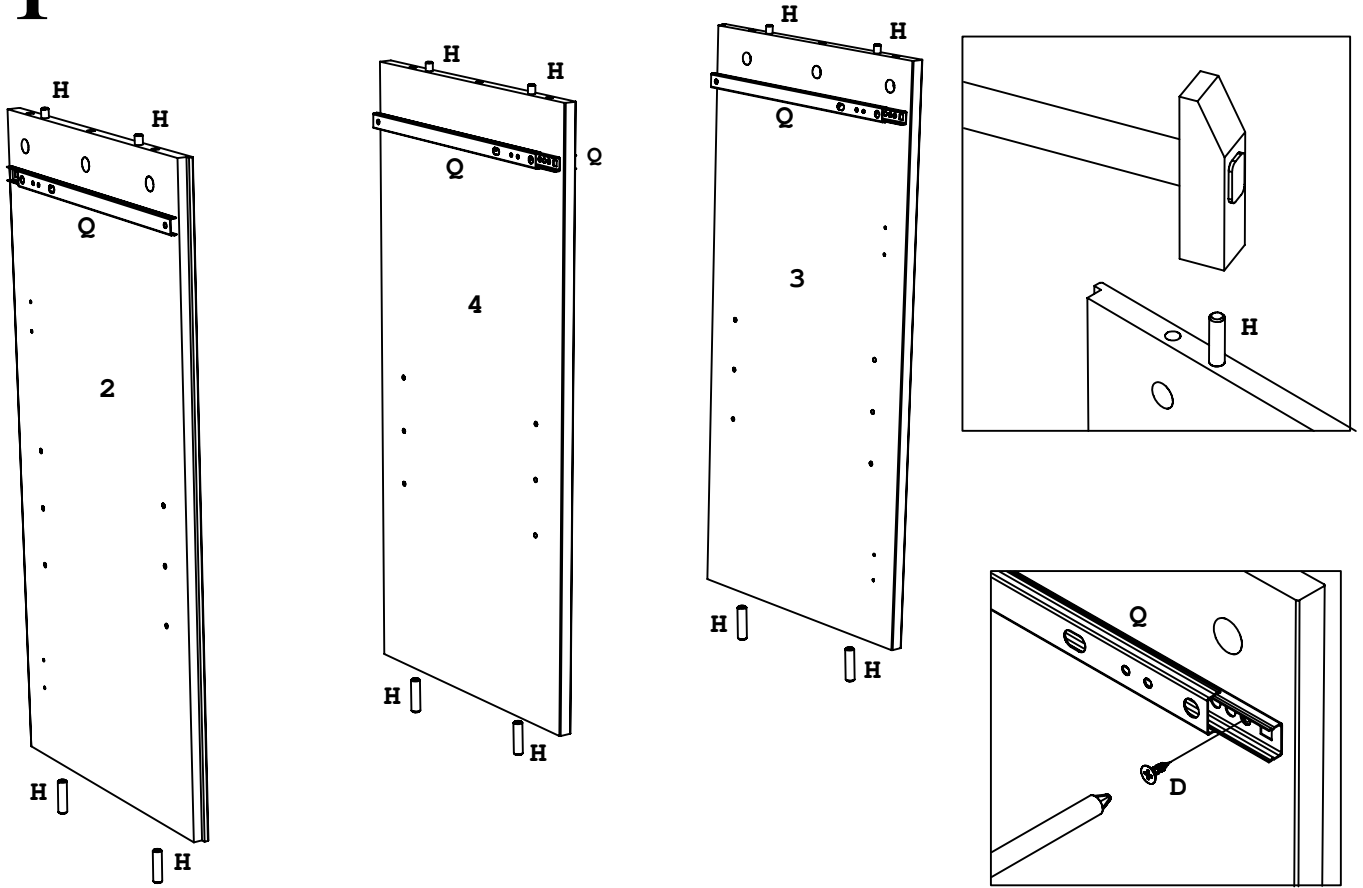


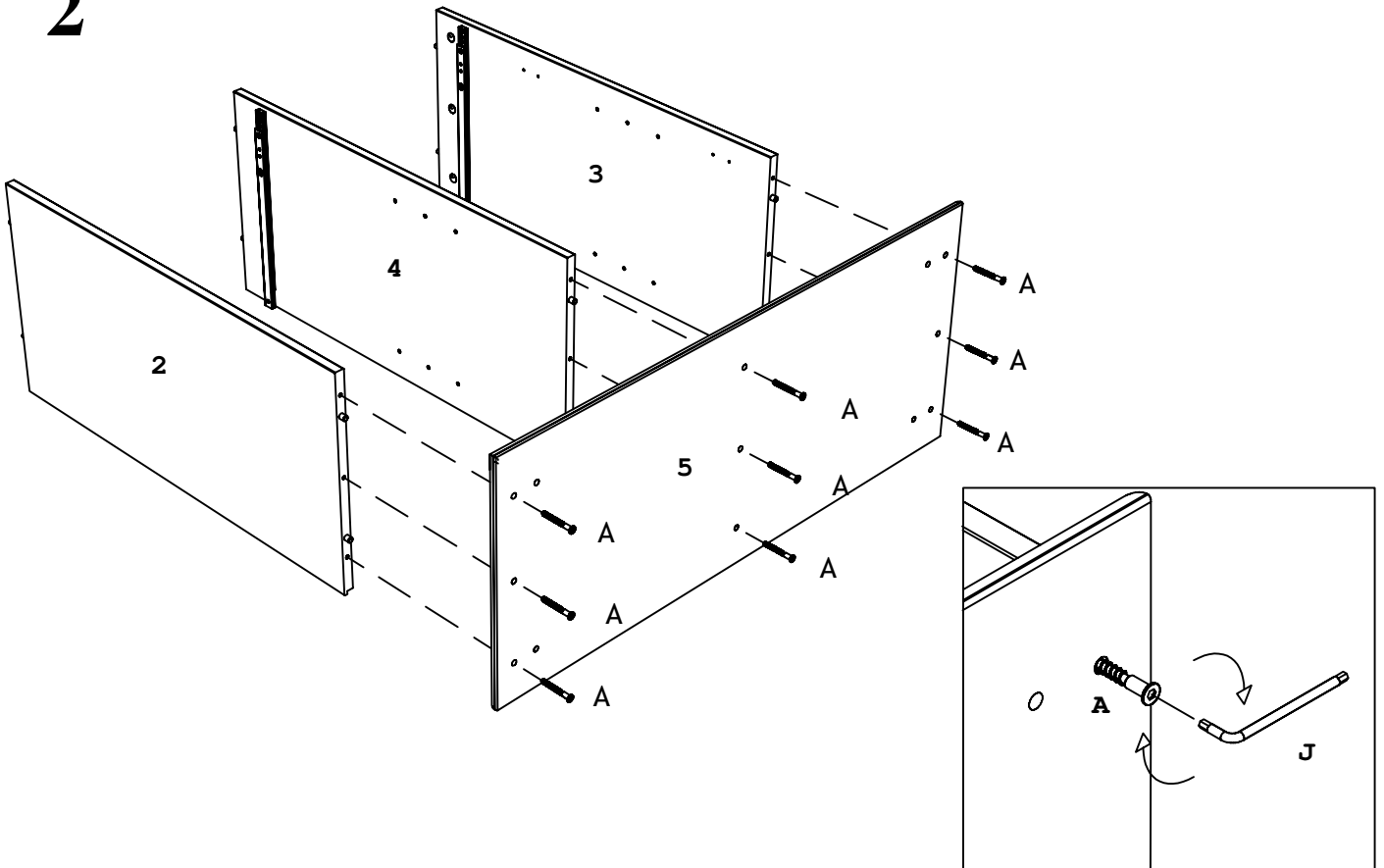
Ax9  50 mm	Bx9 	Cx9 	Dx24  12 mm	Ex12  40 mm	Fx4  M4x10
Gx8 	Hx24  32 mm	Jx1 	Kx4 	Lx1 	Mx25 
Nx4 	Px4 	Qx4 			



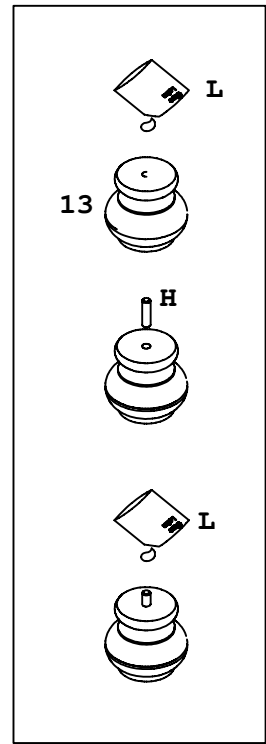
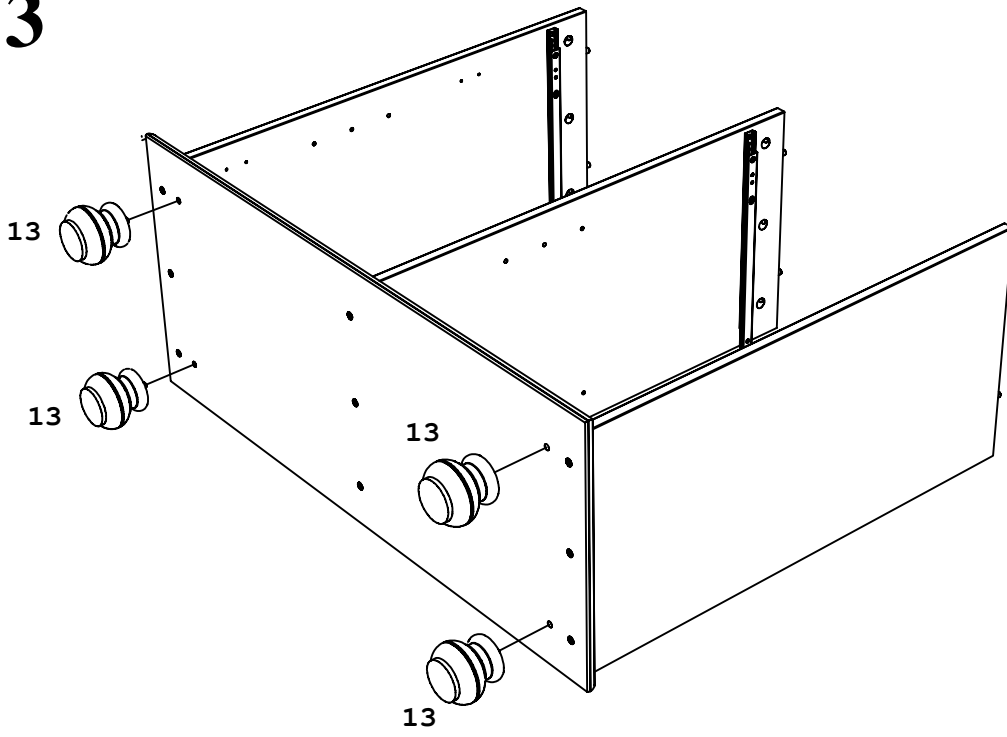
1



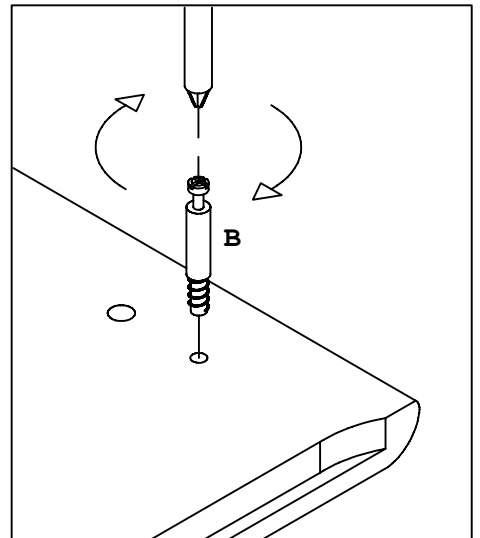
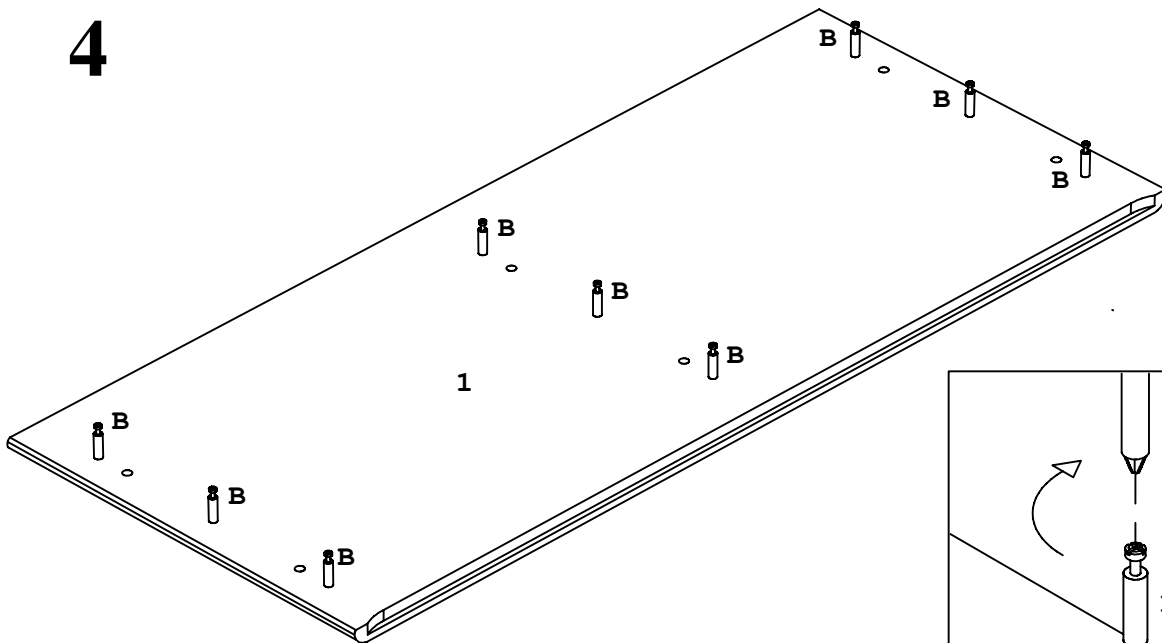
2



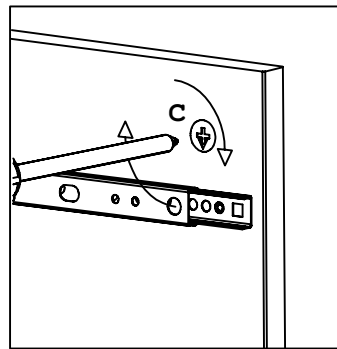
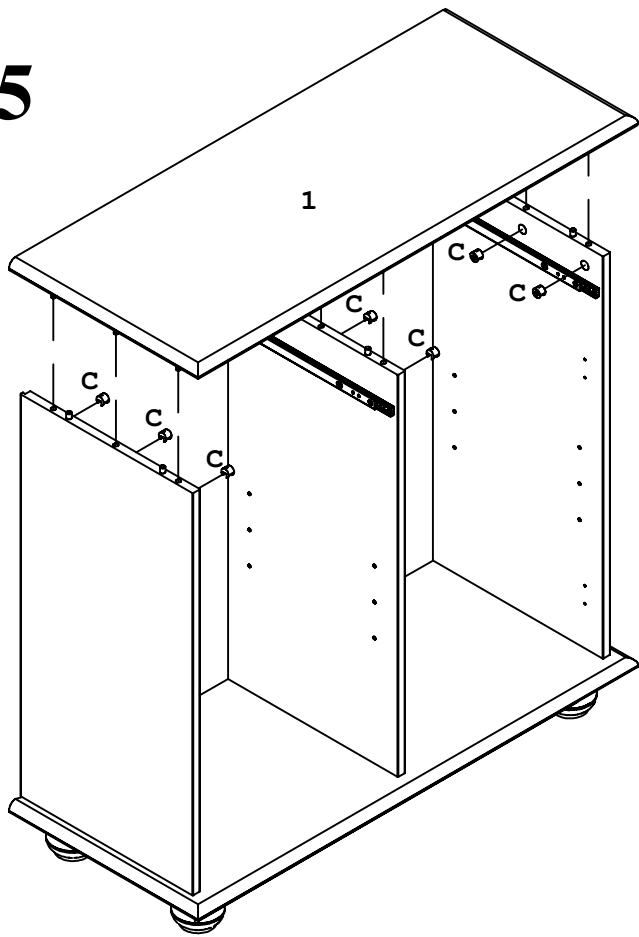
3



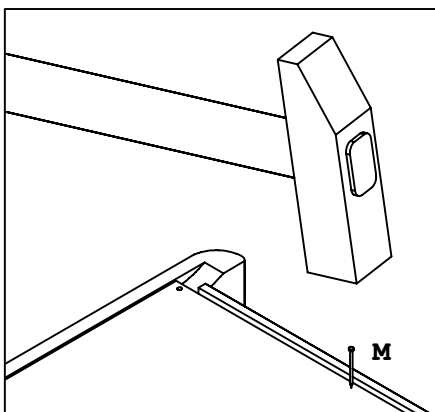
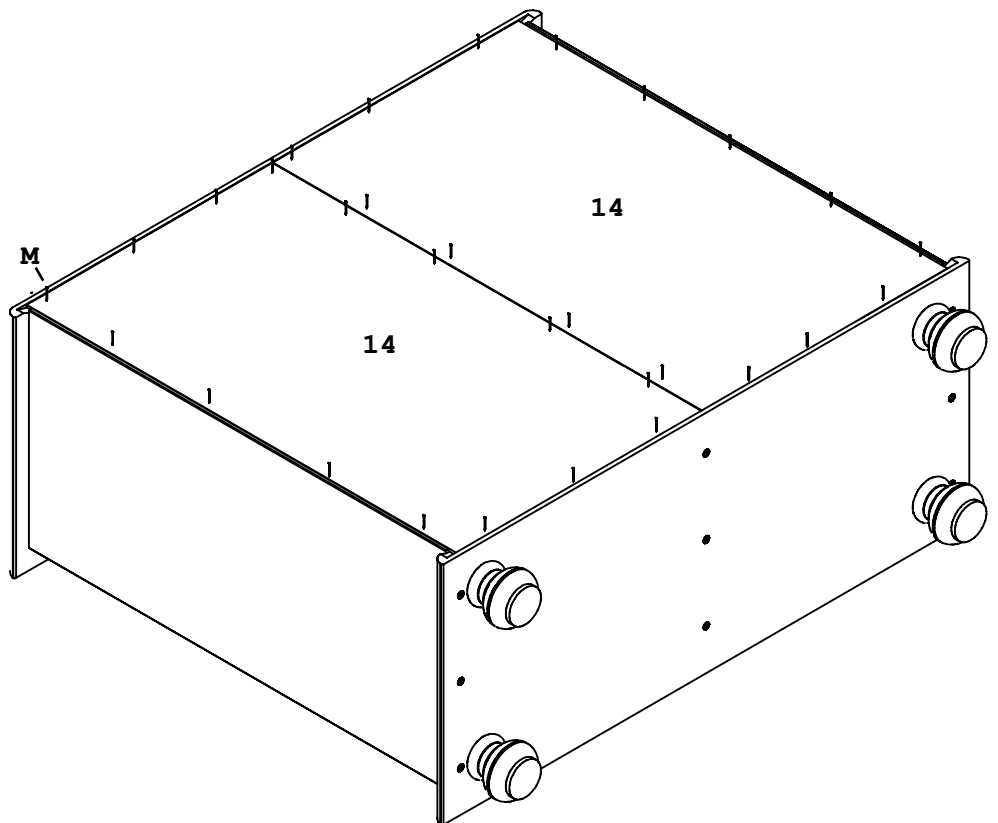
4



5

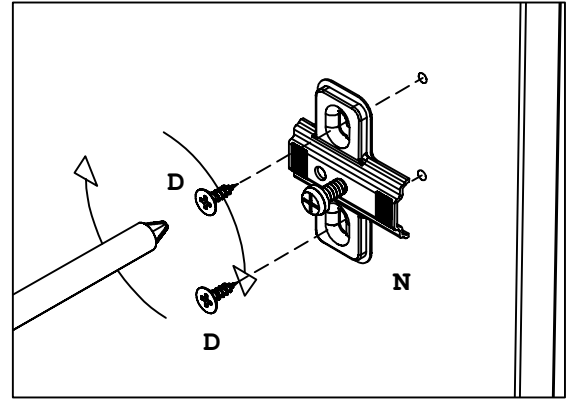
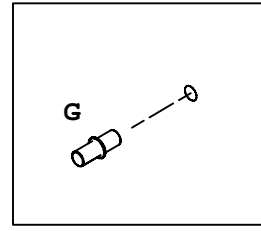
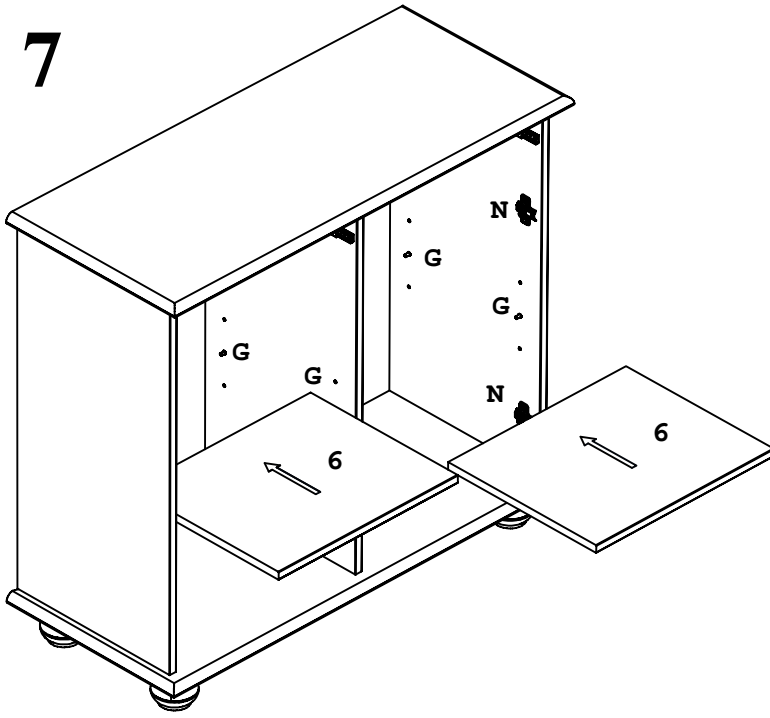


6



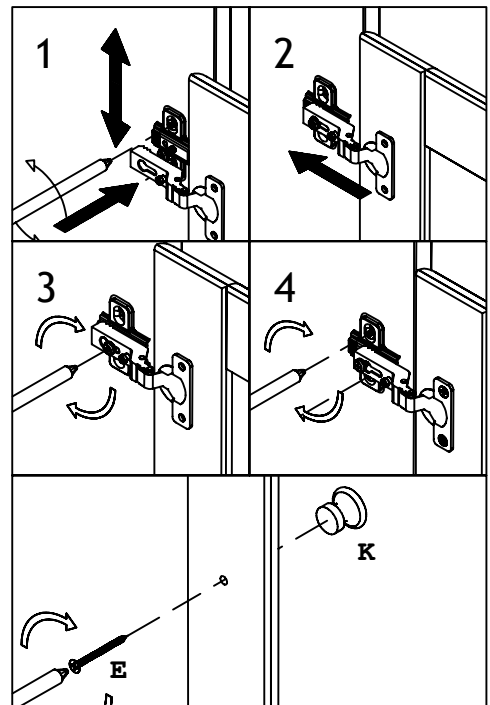
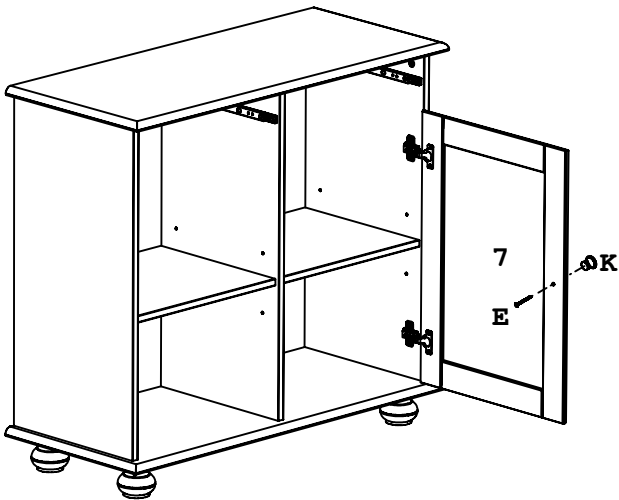
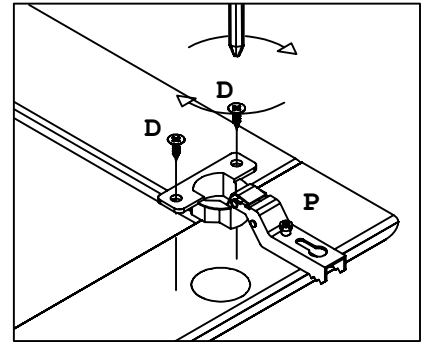
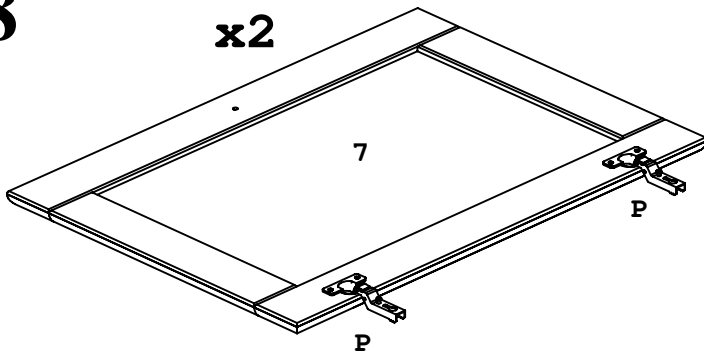
4-6

7

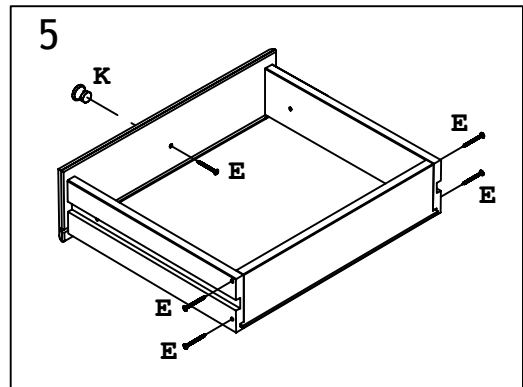
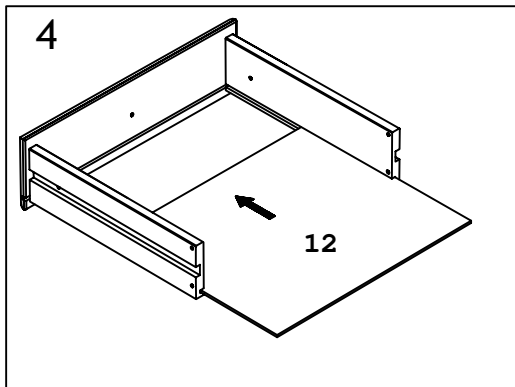
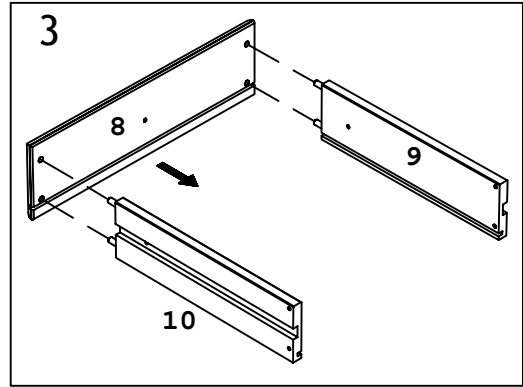
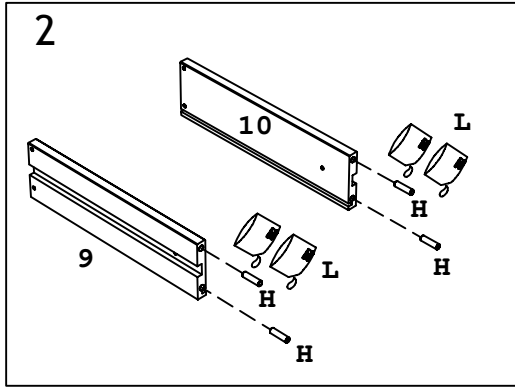
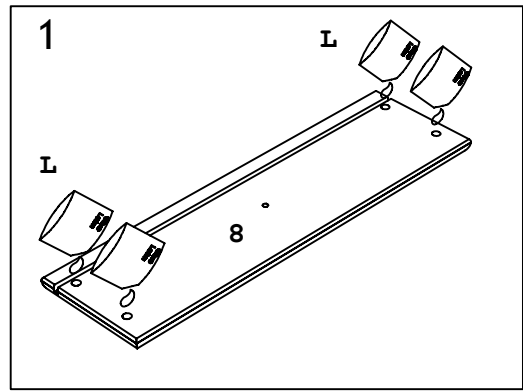
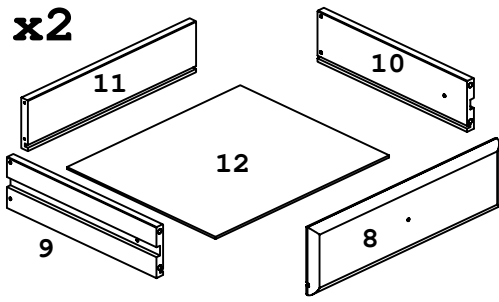


8

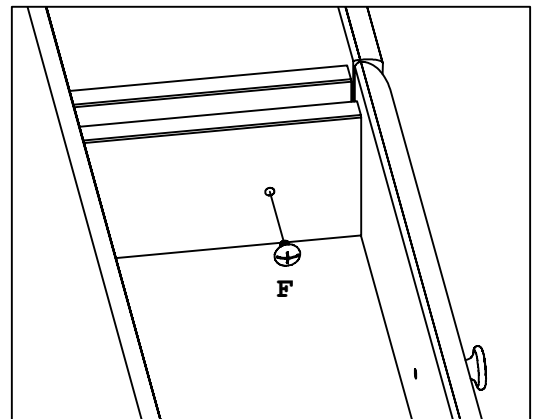
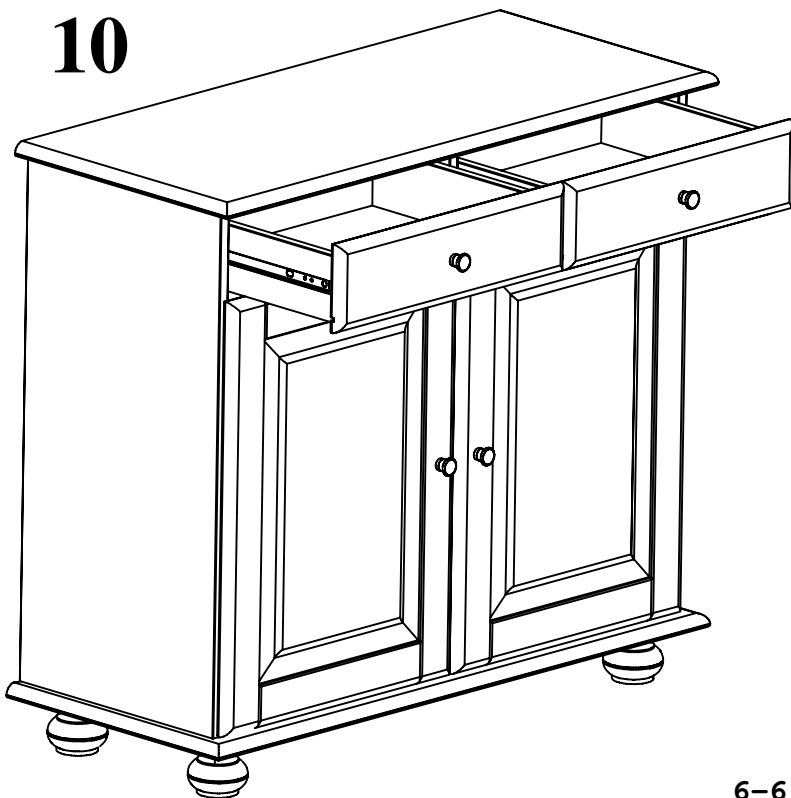
x2

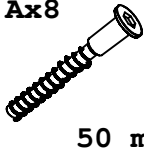
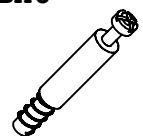



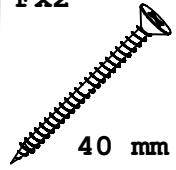
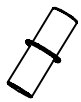


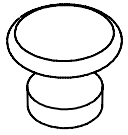


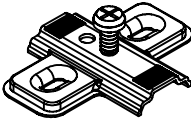
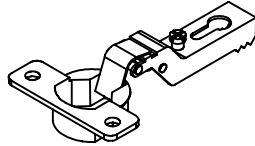
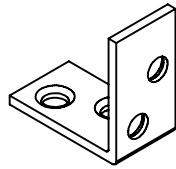


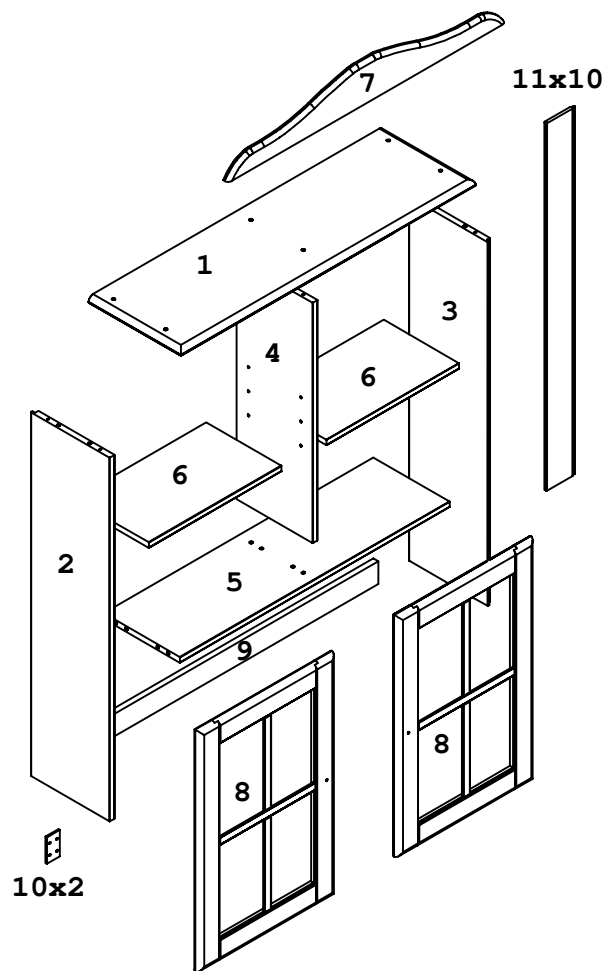
9



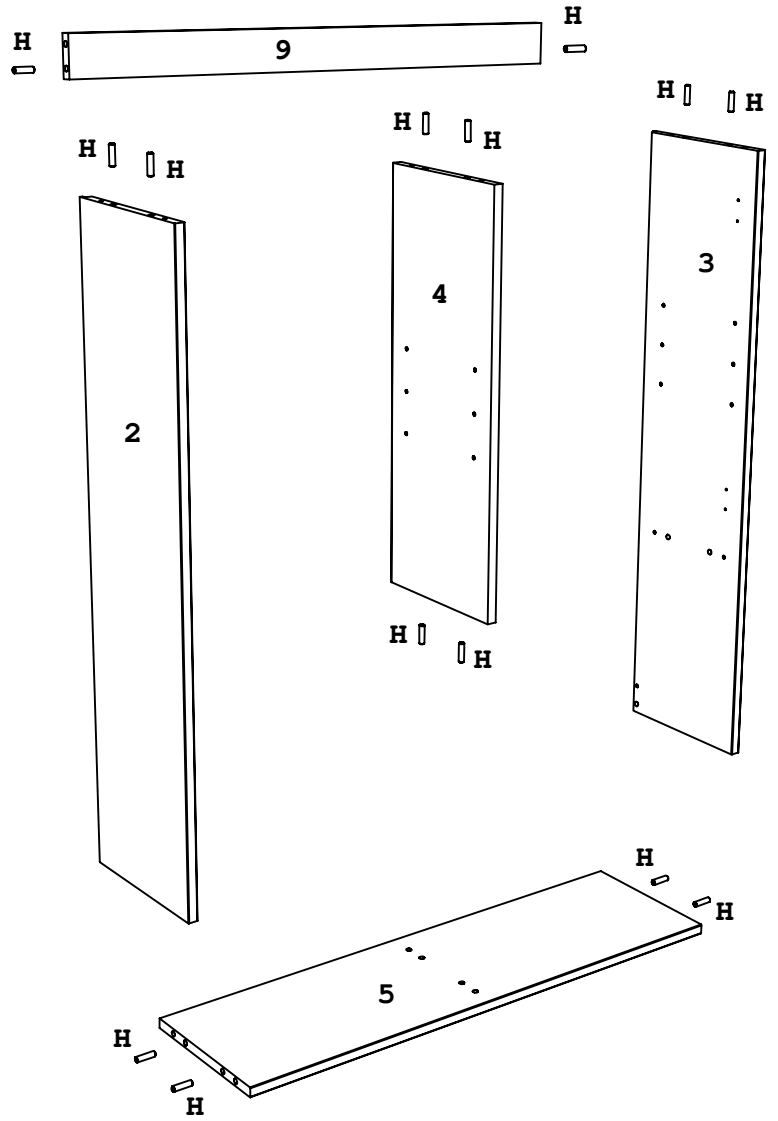
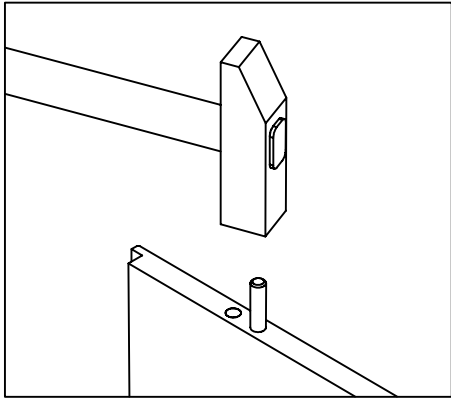
10



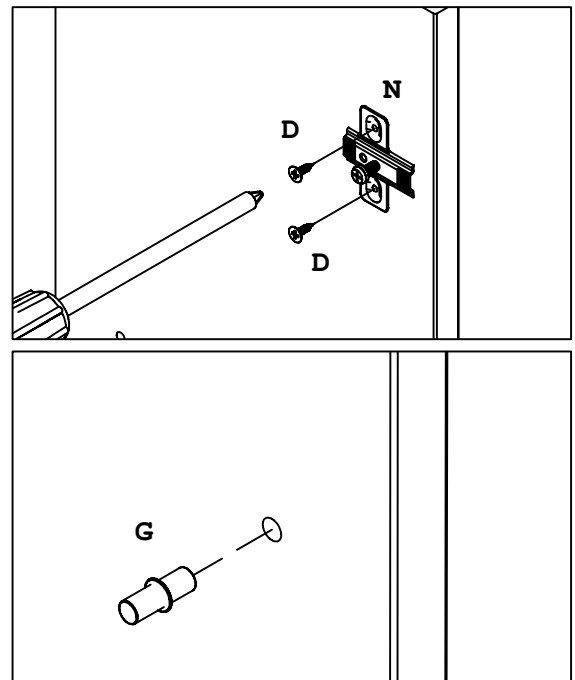
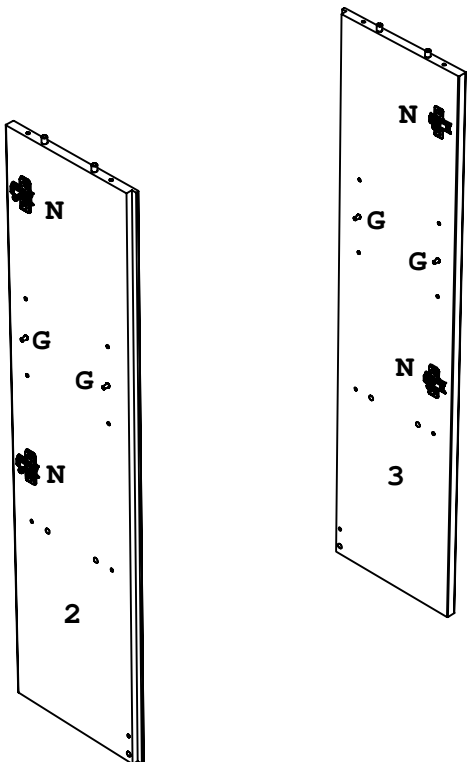
Ax8  50 mm	Bx6 	Cx6 	Dx24  12 mm	Ex8  16 mm	Fx2  40 mm
Gx8 	Hx14  32 mm	Jx1 	Kx2 	Lx4 	Mx30 
Nx4 	Px4 	Qx2 			



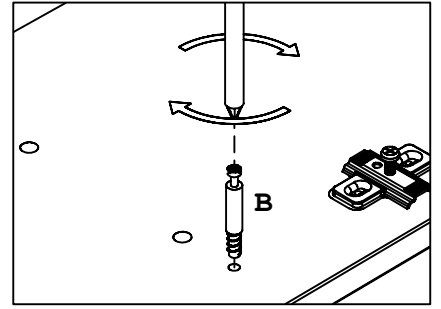
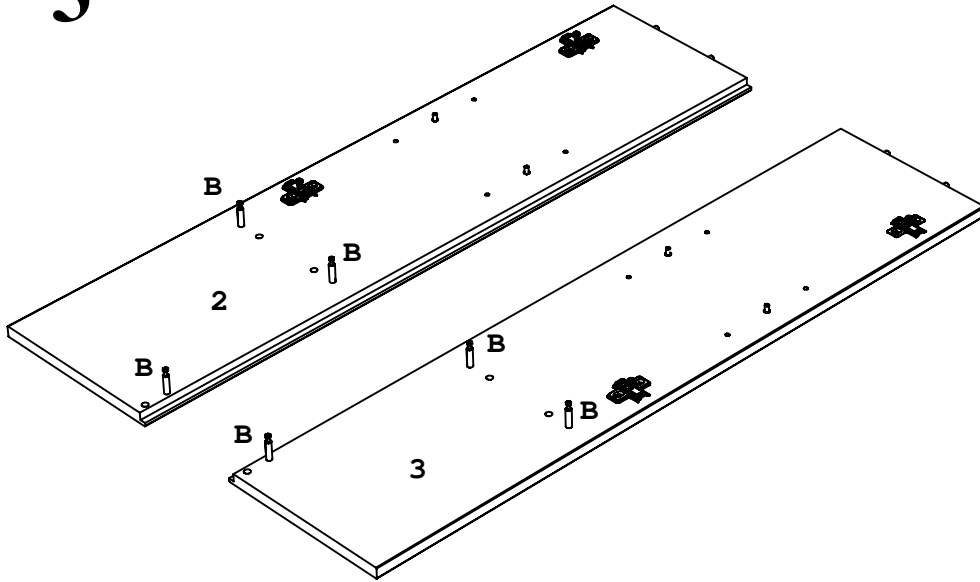
1



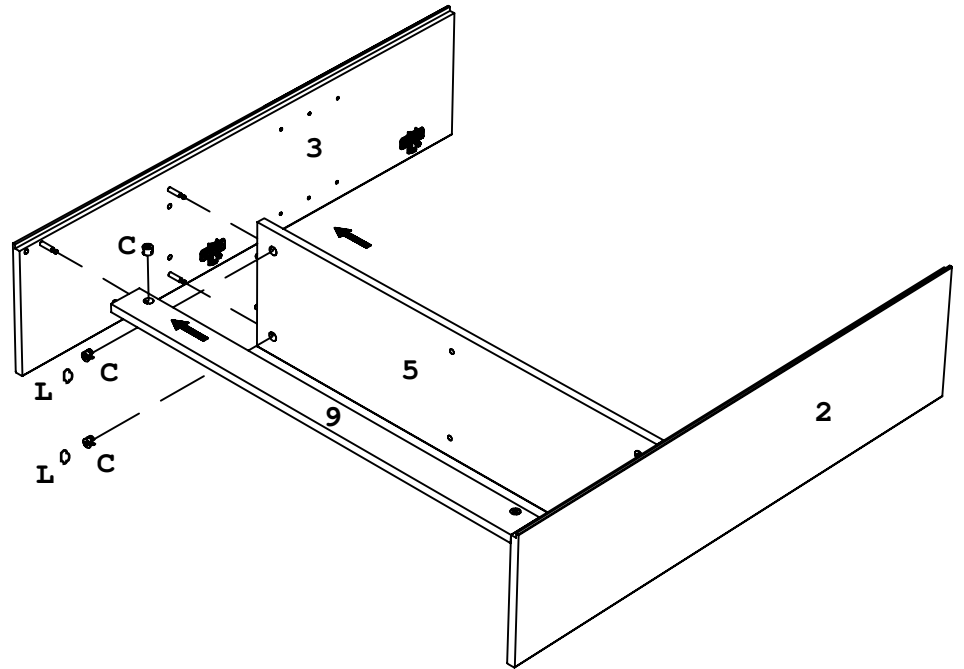
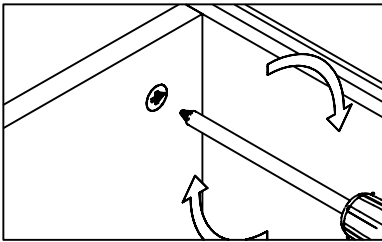
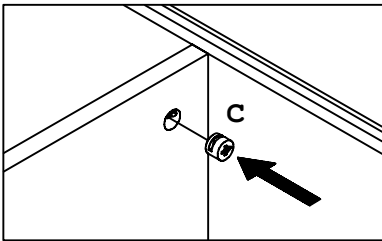
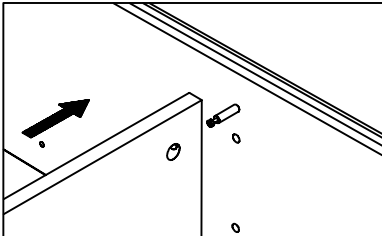
2



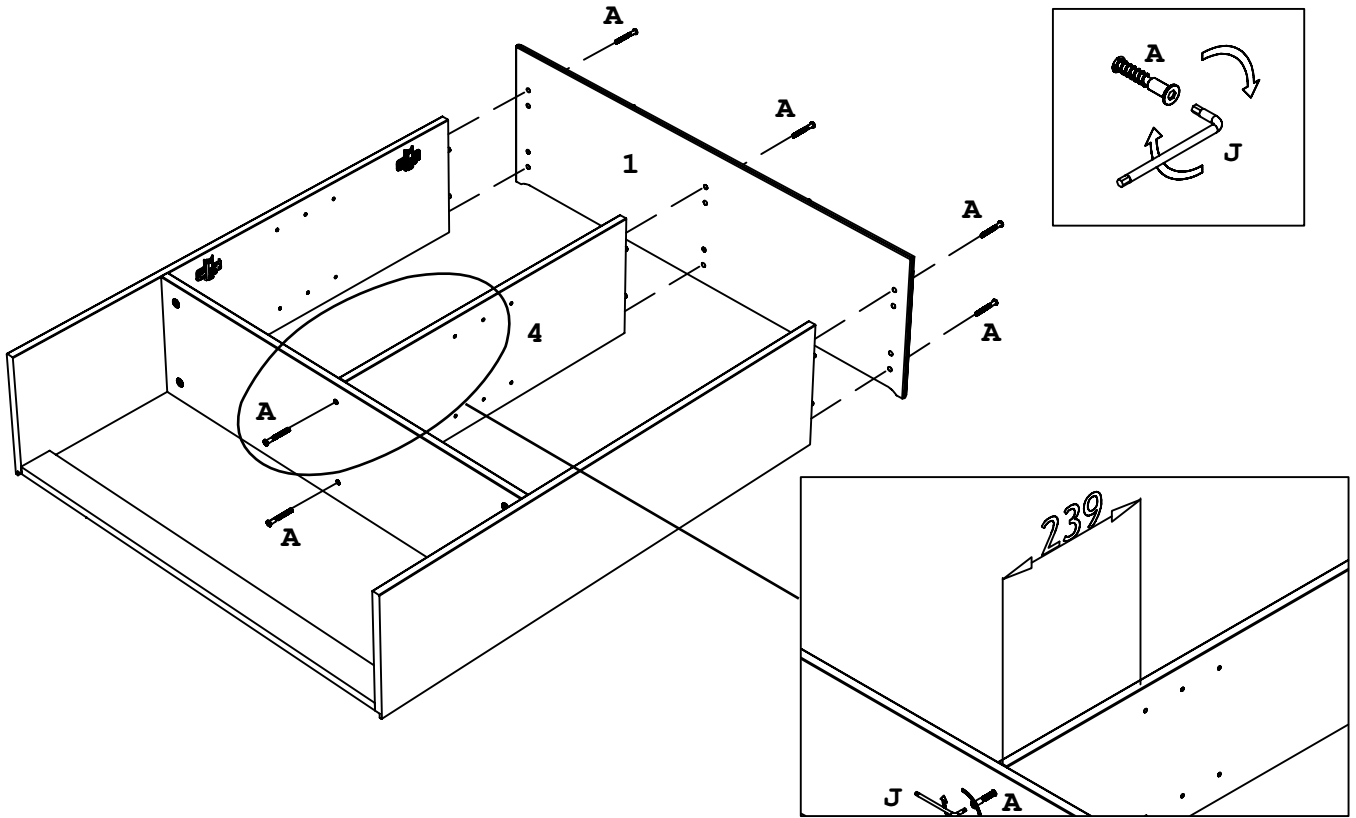
3



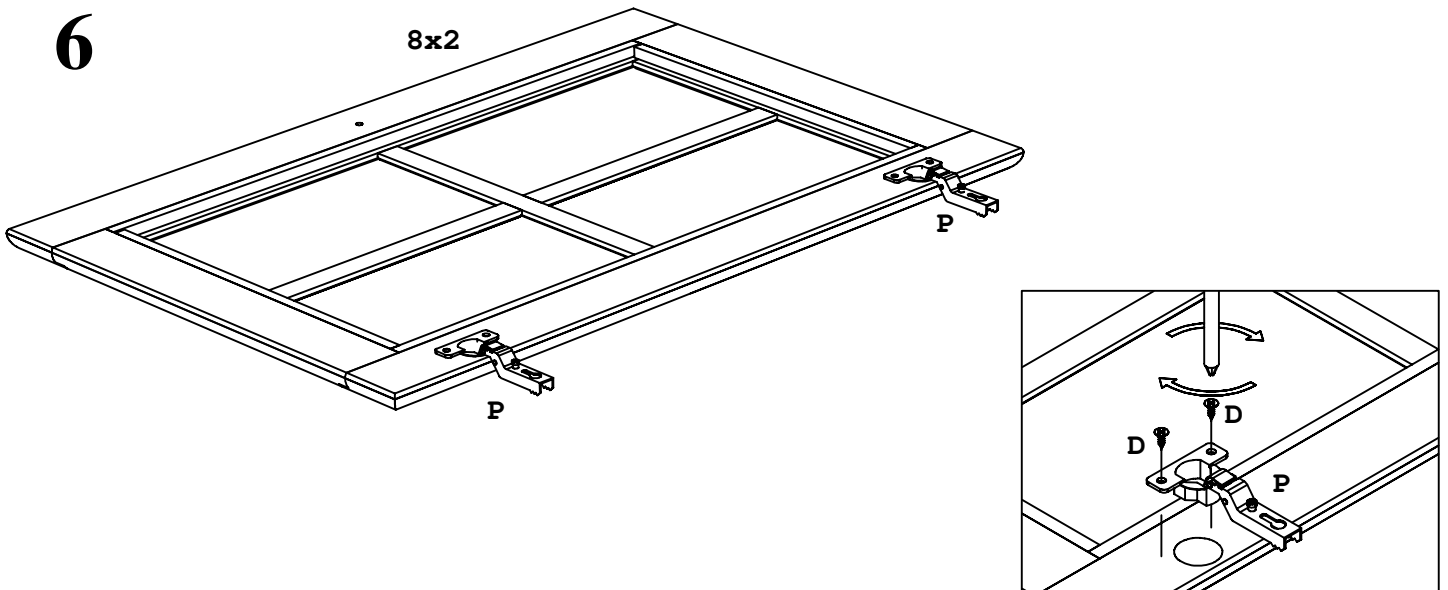
4

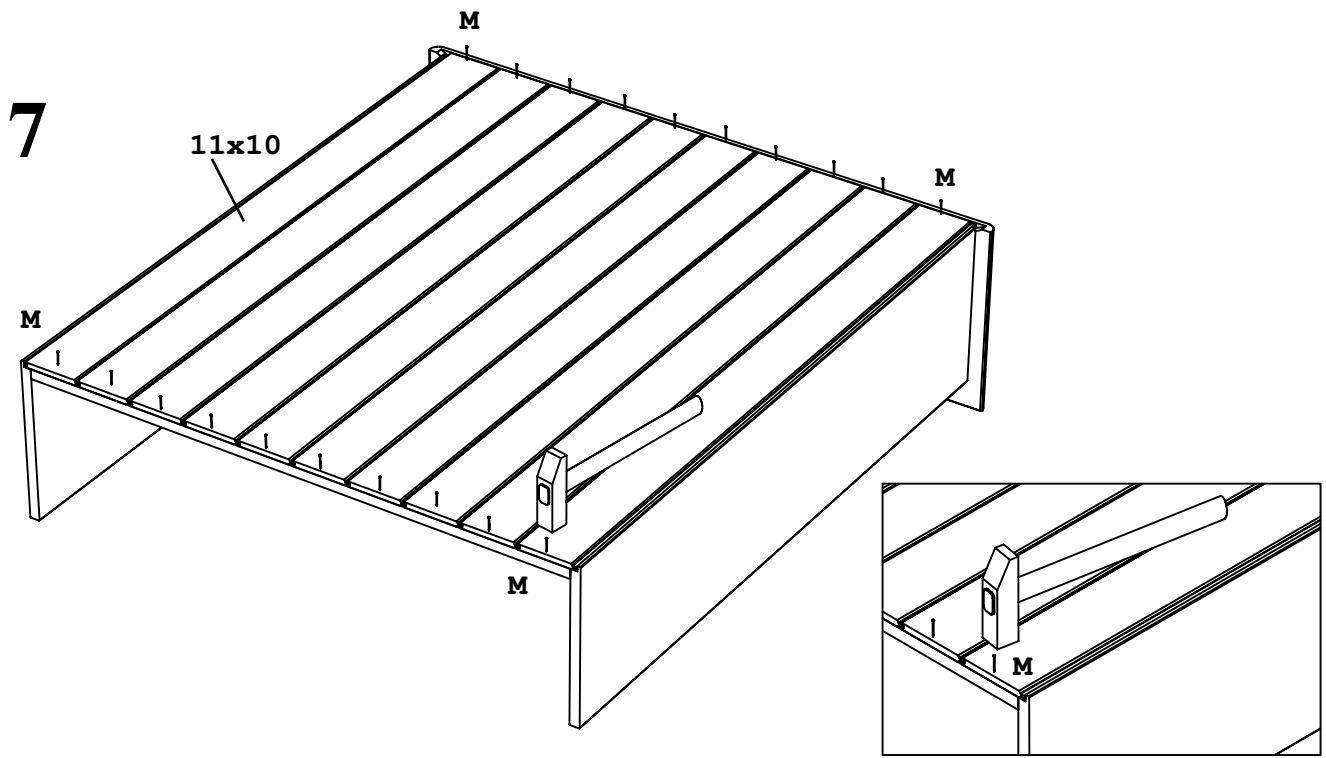


5

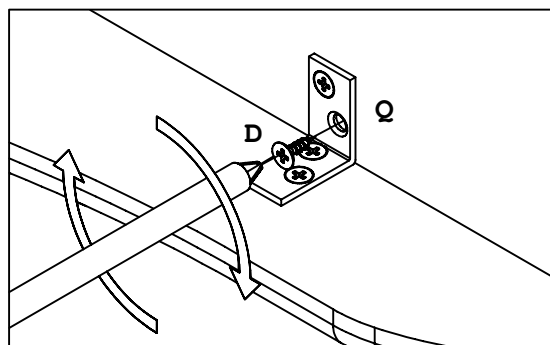
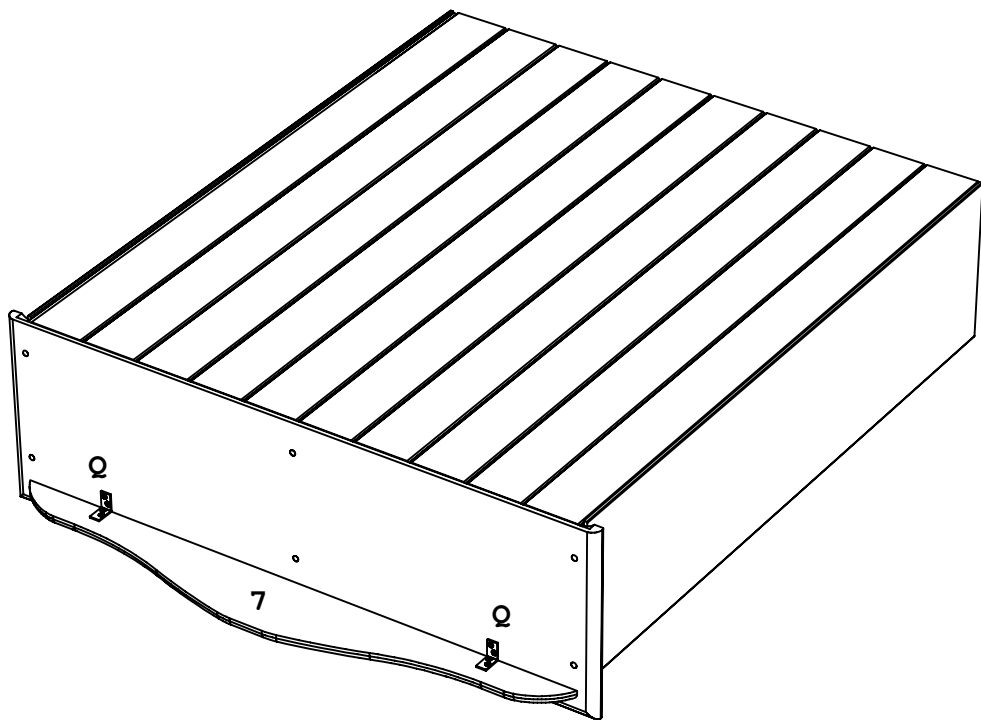


6

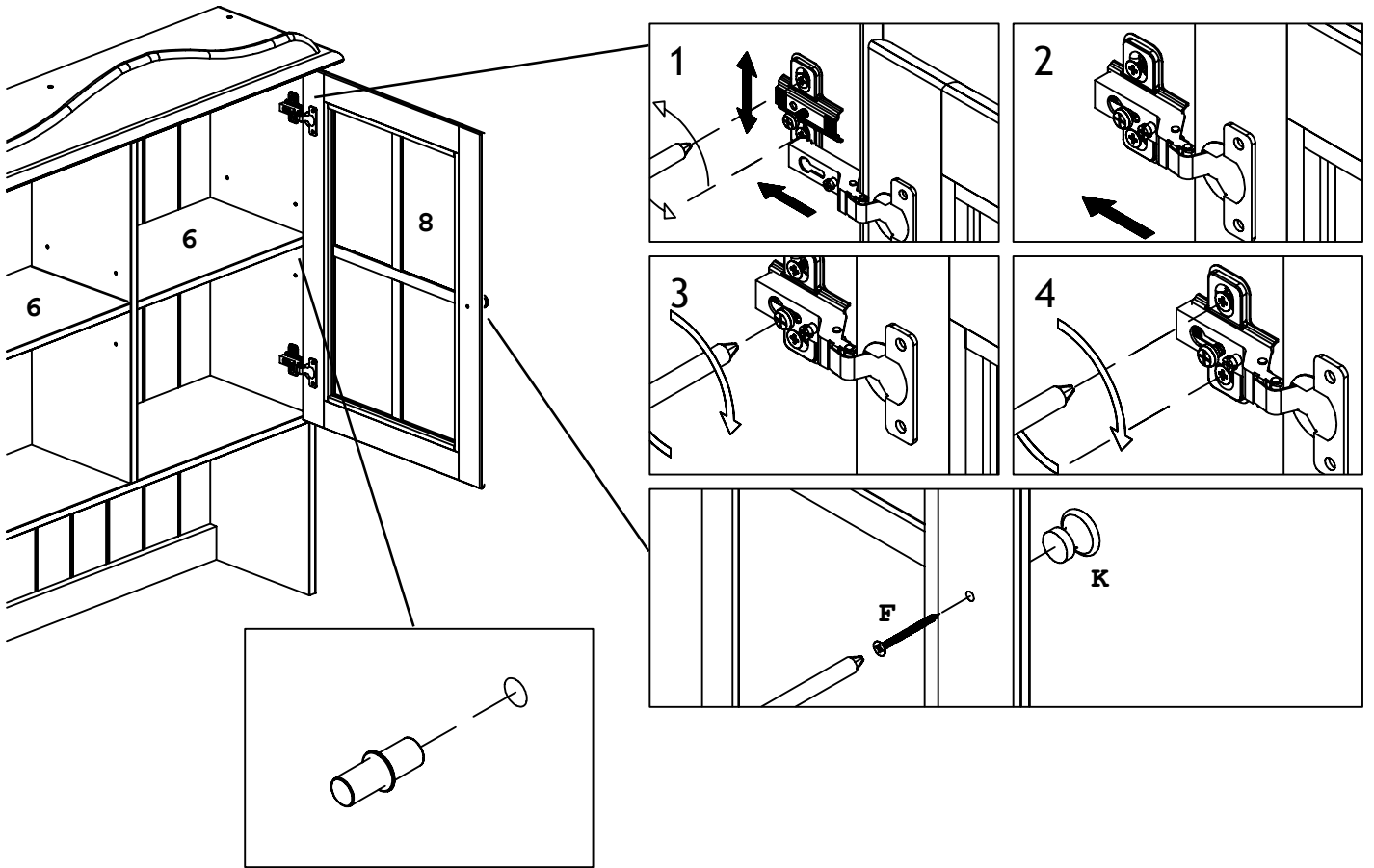




8



9



10

