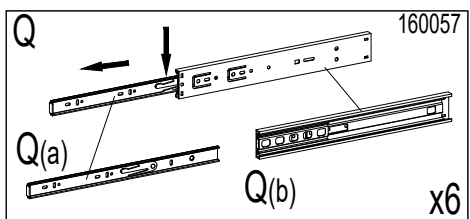
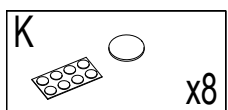
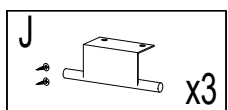
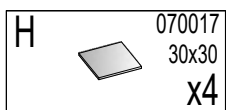
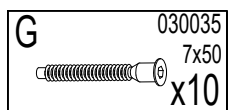
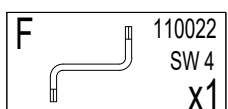
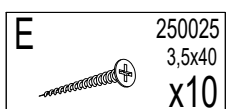
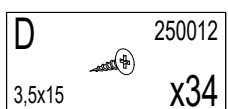
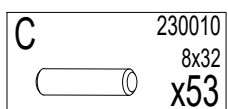
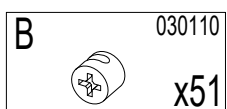
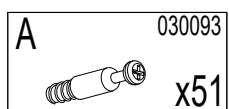
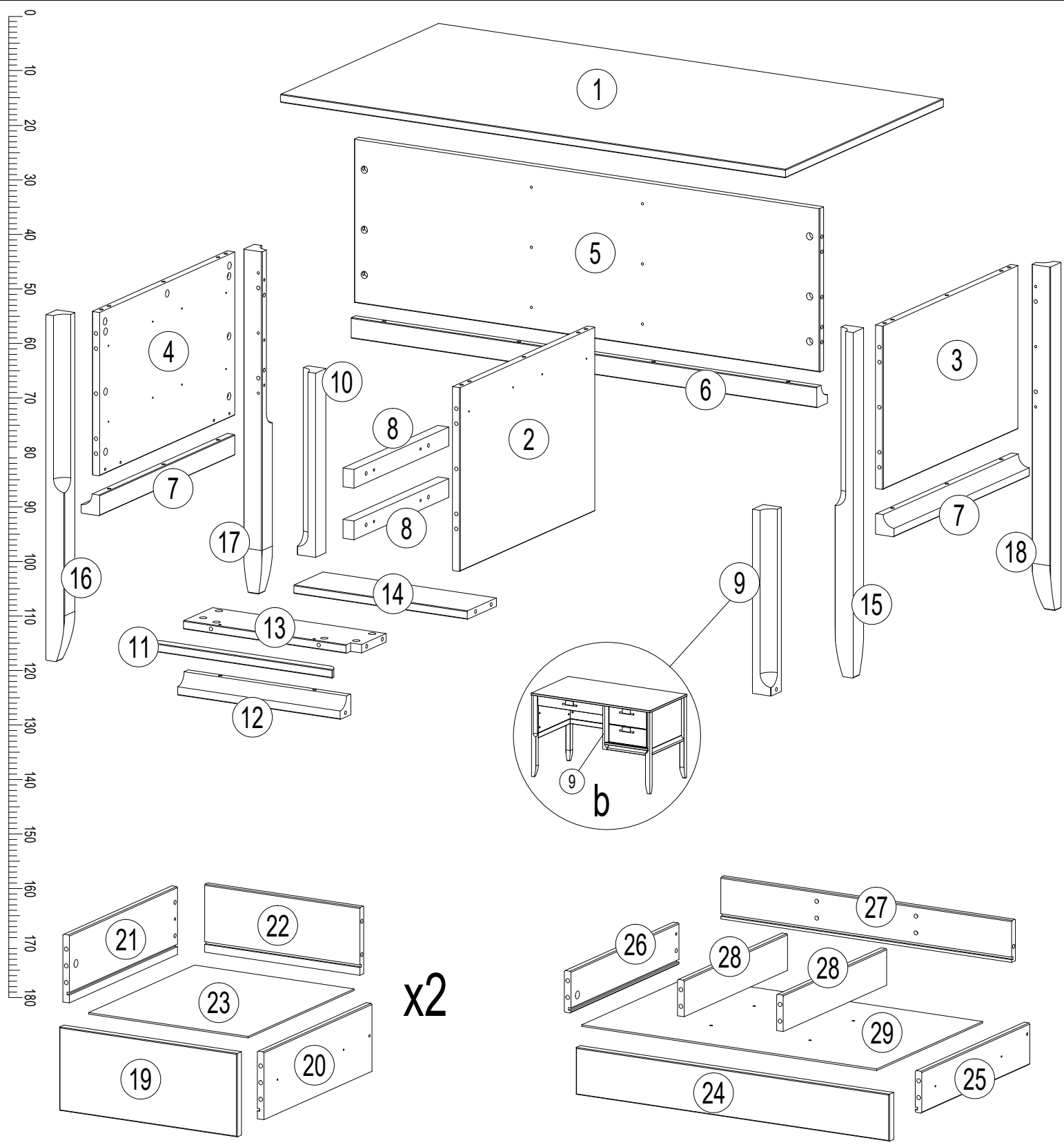
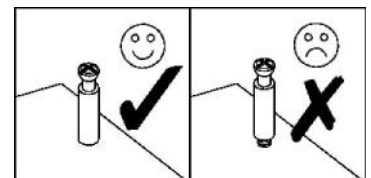
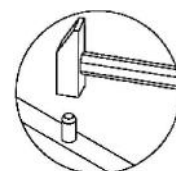
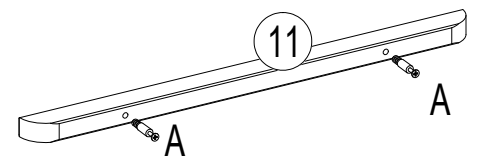
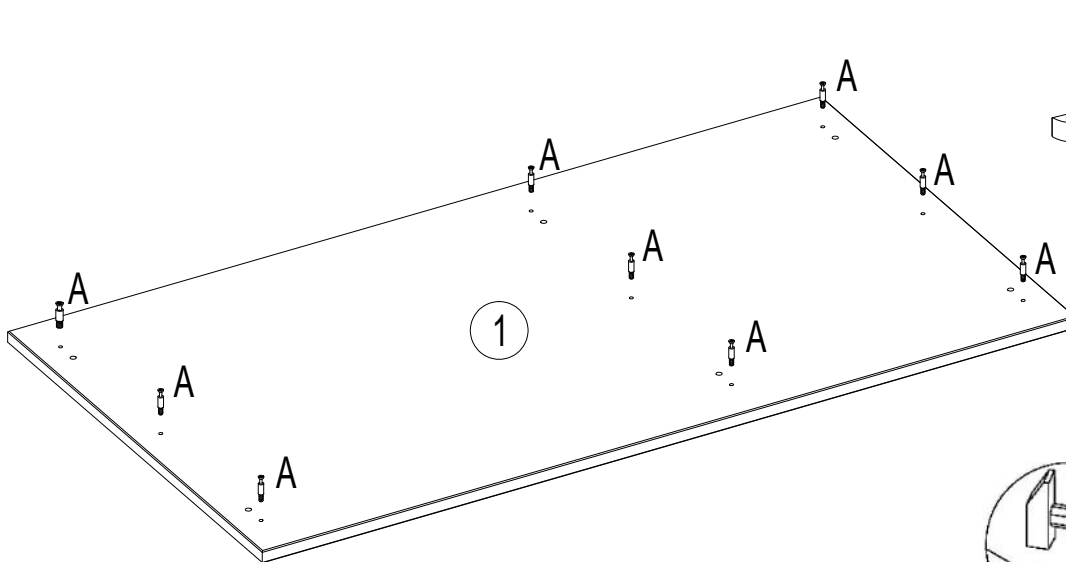
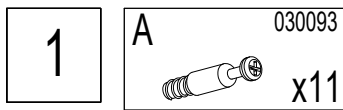


120 min



No	Size/MaB (mm)	Qty	✓	No	Size/MaB (mm)	Qty	✓
1	1200x400x18	1		16	742x44x44	1	
2	556x392x18	1		17	742x44x44	1	
3	556x348x18	1		18	742x44x44	1	
4	556x348x18	1		19	380x160x18	2	
5	1106x348x18	1		20	400x130x14	2	
6	1106x44x44	1		21	400x130x14	2	
7	556x44x44	1		22	332x130x14	2	
8	390x40x26	2		23	392x341x3	2	
9	392x44x44	1		24	670x90x18	1	
10	392x44x44	1		25	400x80x14	1	
11	438x26x18	1		26	400x80x14	1	
12	386x44x44	1		27	622x80x14	1	
13	412x120x18	1		28	383x70x14	2	
14	412x120x18	1		29	631x392x3	1	
15	742x44x44	1					

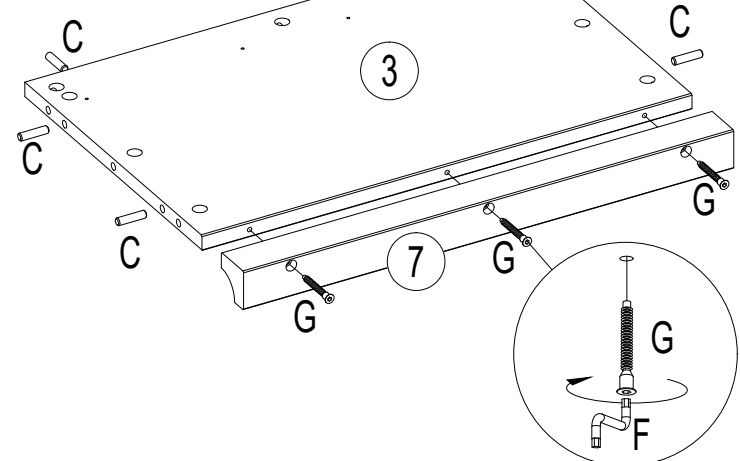
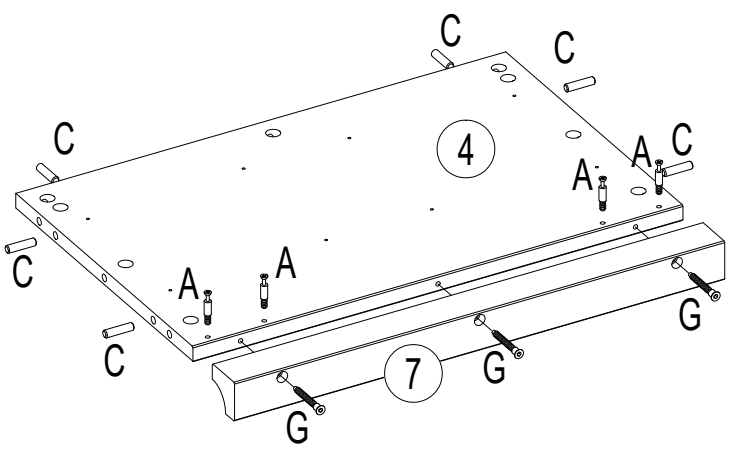


2 A 030093 x4

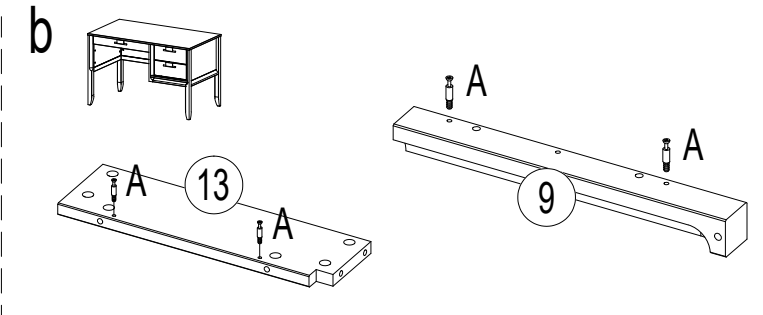
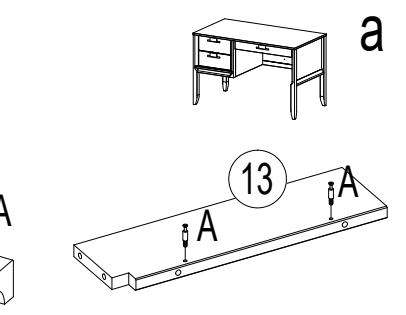
C 230010 8x32 x12

F 110022 SW 4 x1

G 030035 7x50 x6



3 A 030093 x4



4 A 030093 x4

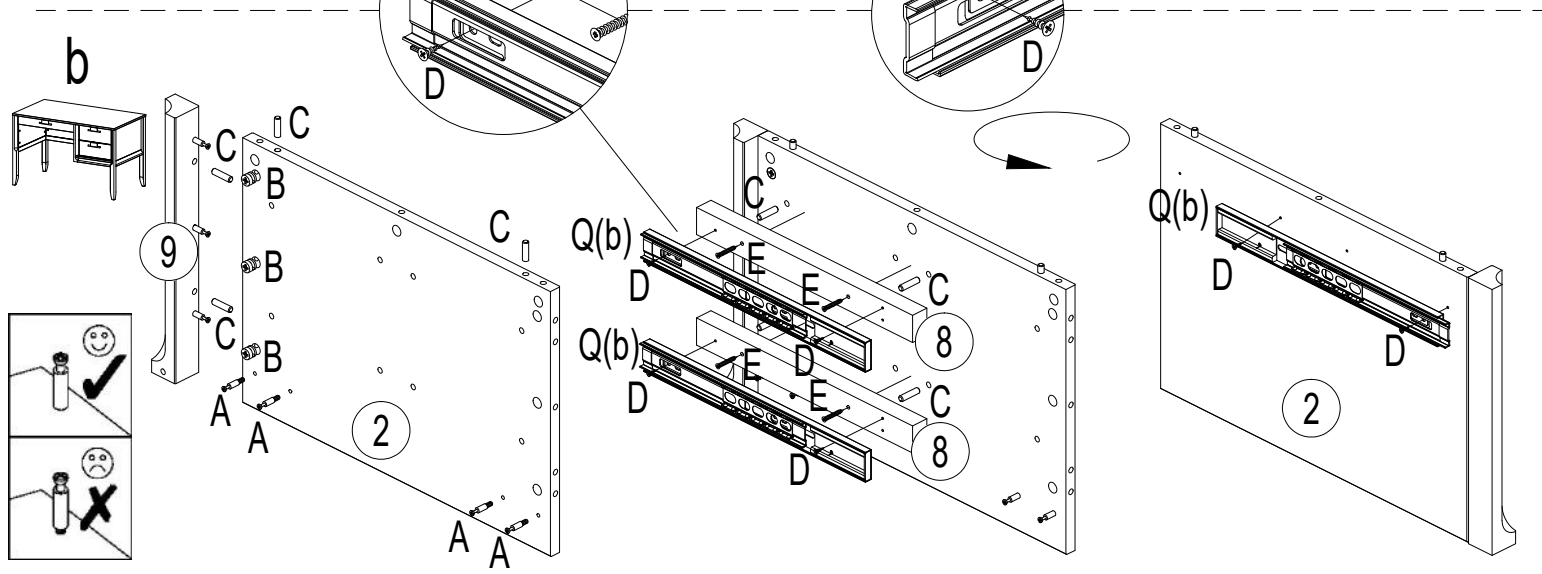
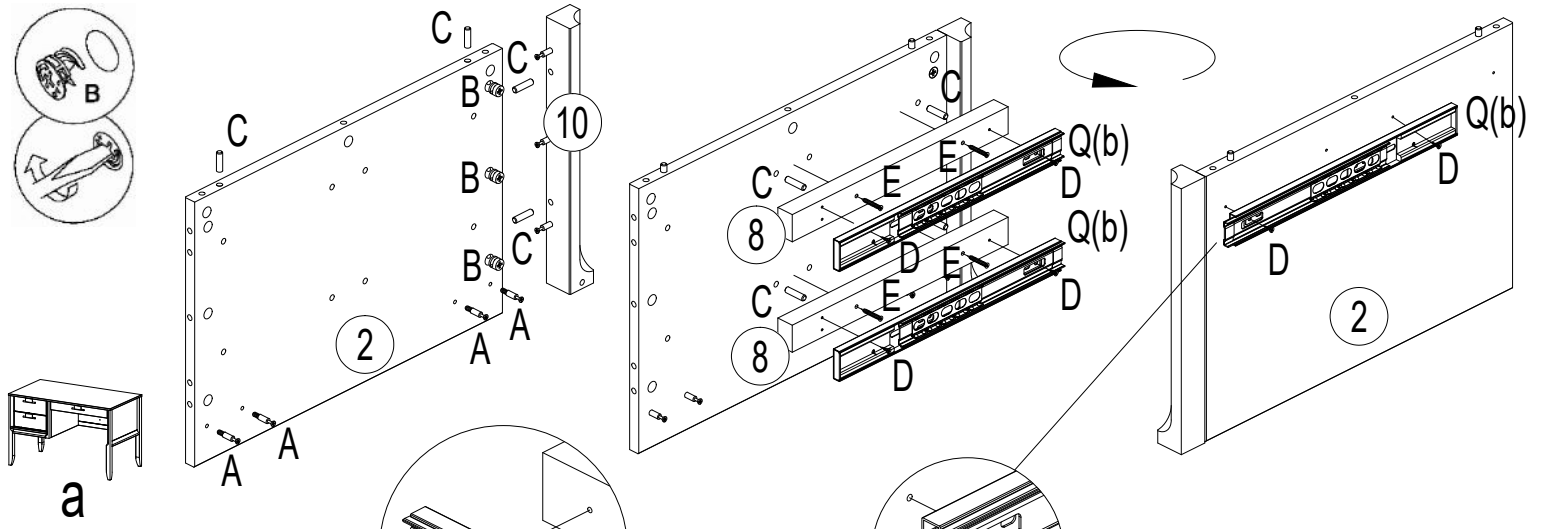
B 030110 x3

C 230010 8x32 x4

D 250012 3,5x15 x6

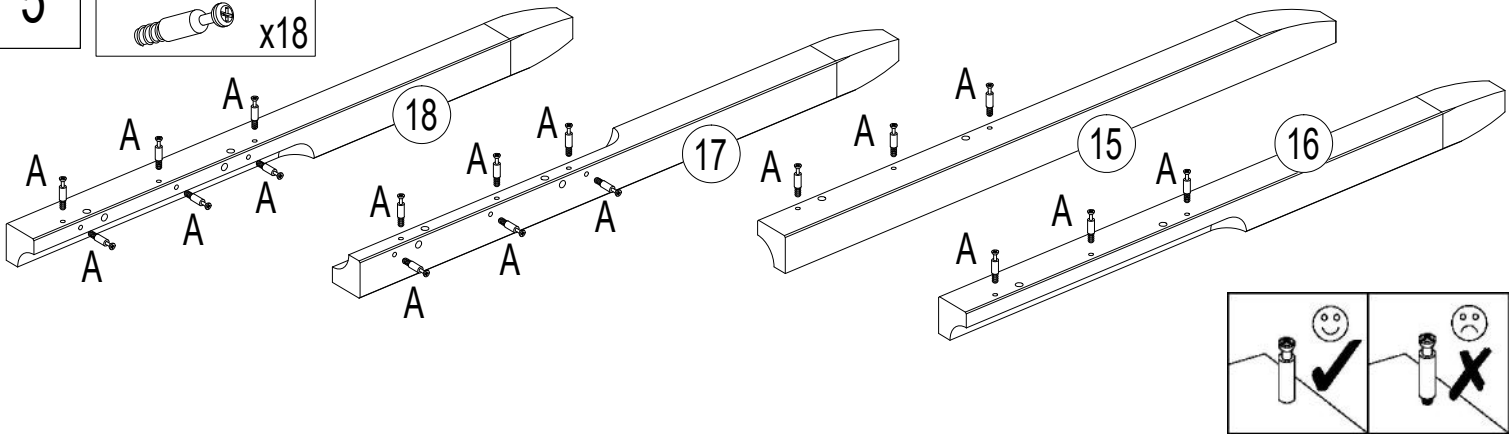
E 250025 3,5x40 x4

Q(b) 160061 x3



5

A 030093 x18



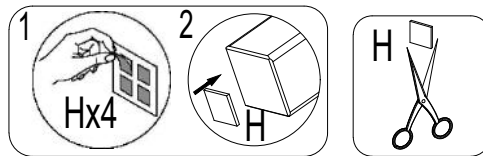
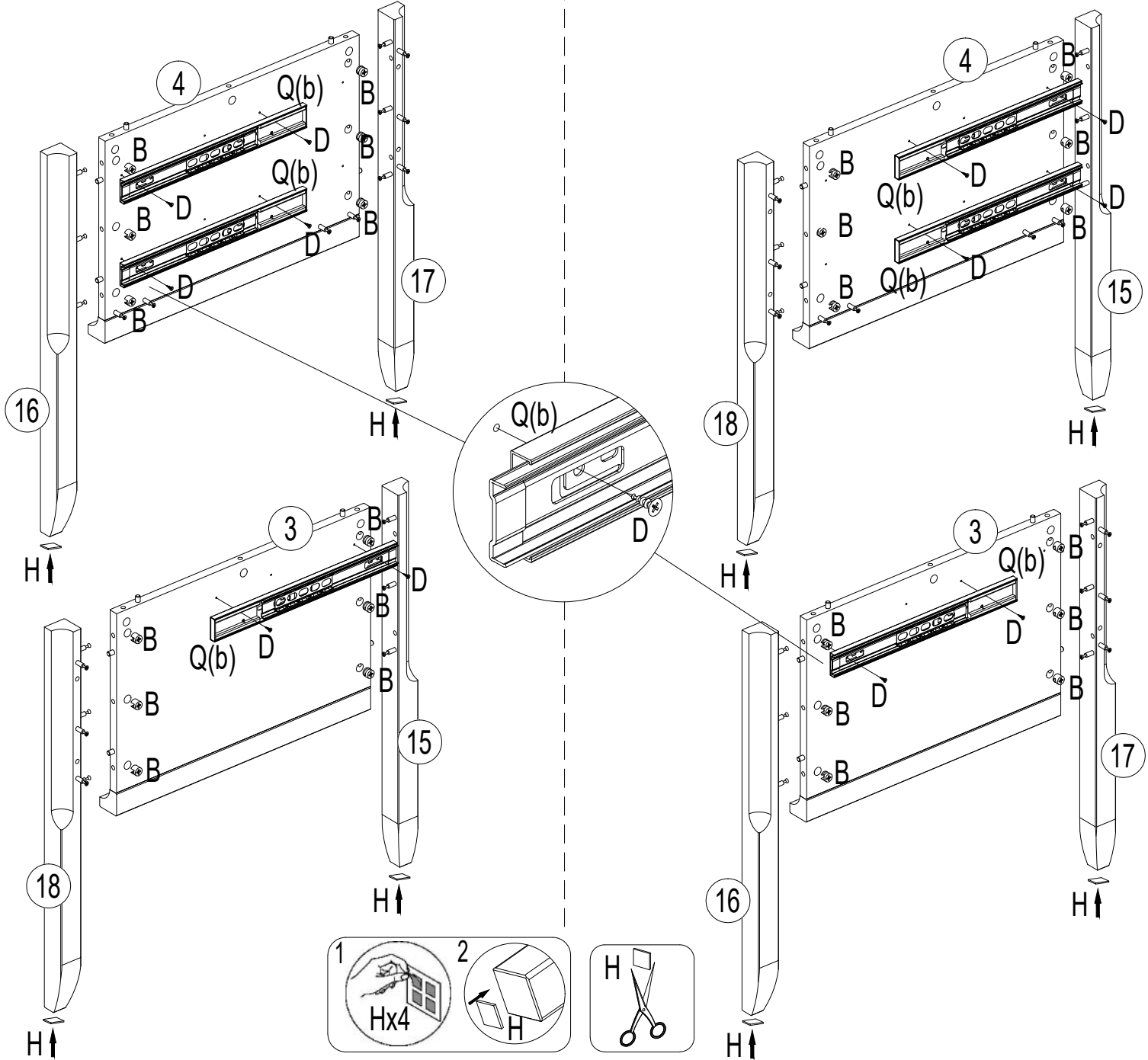
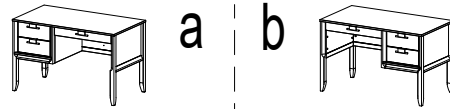
6

B 030110 x12

D 250012 3,5x15 x6

H 070017 30x30 x4

Q(b) 160061 x3



7

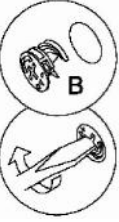
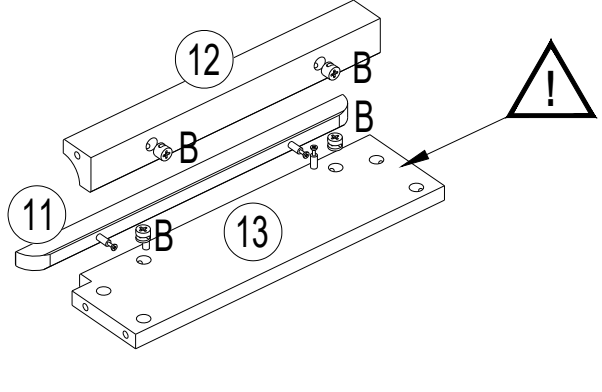
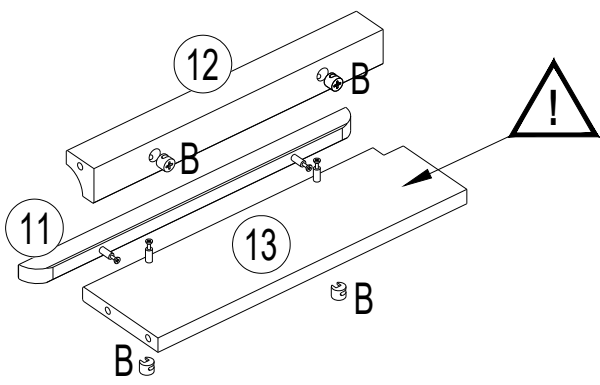
B 030110 x4



a



b



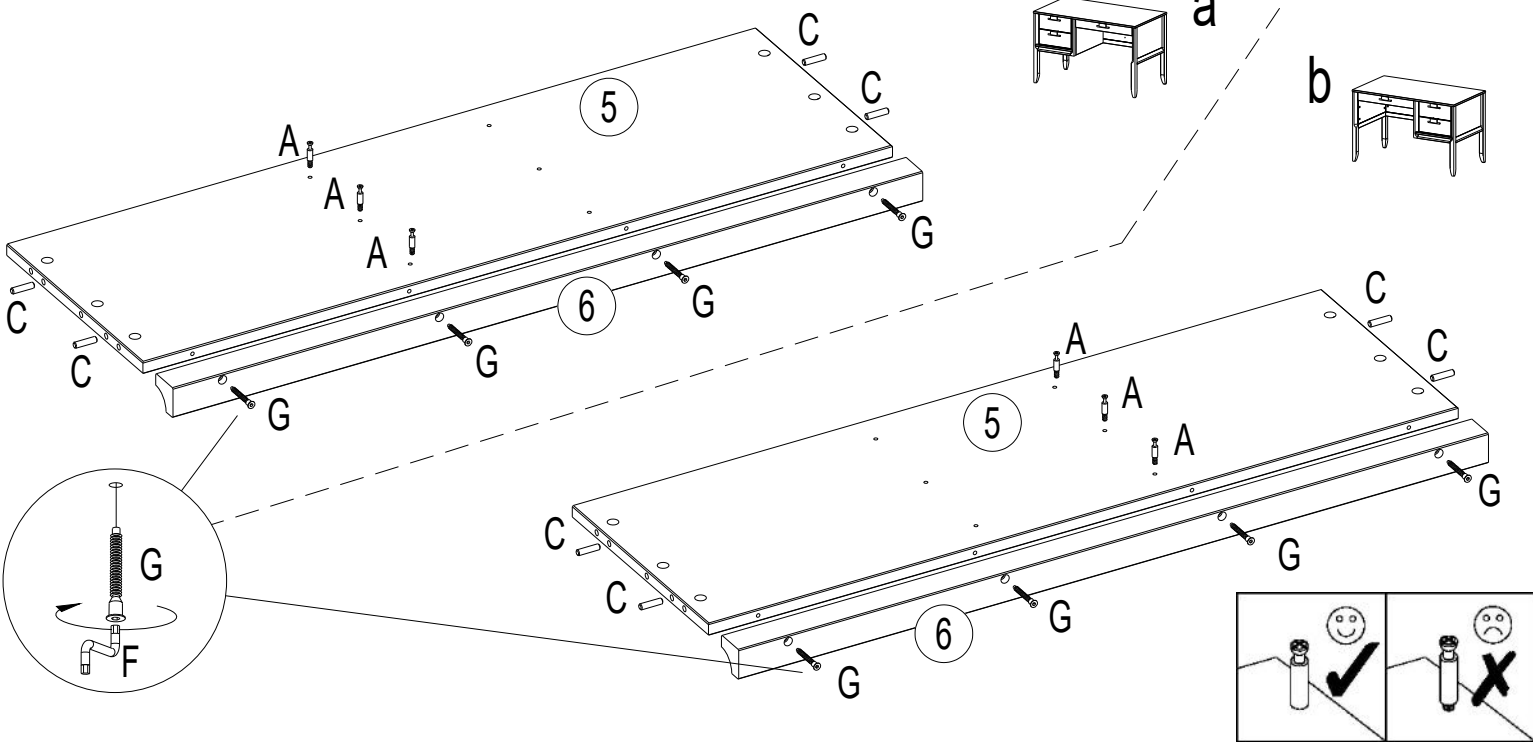
8

A 030093 x3

C 230010 8x32 x4

F 110022 SW 4 x1

G 030035 7x50 x4



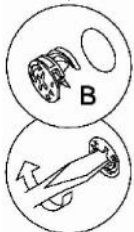
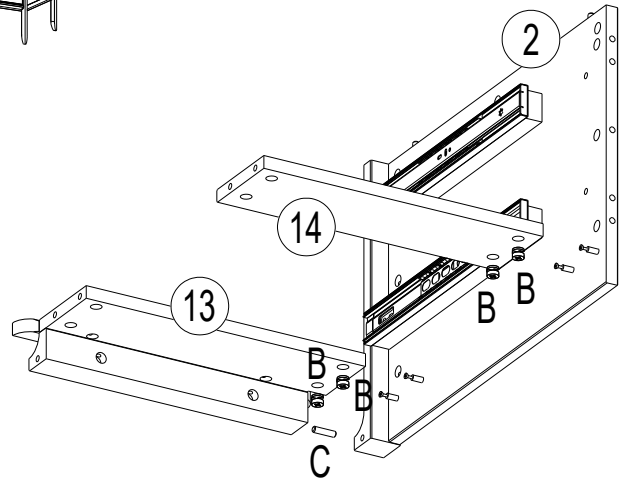
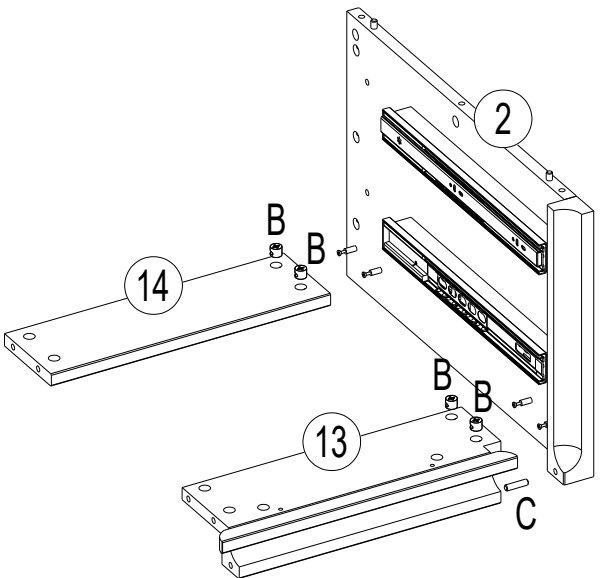
9

B 030110 x4

C 230010 8x32 x1

a

b



6-9

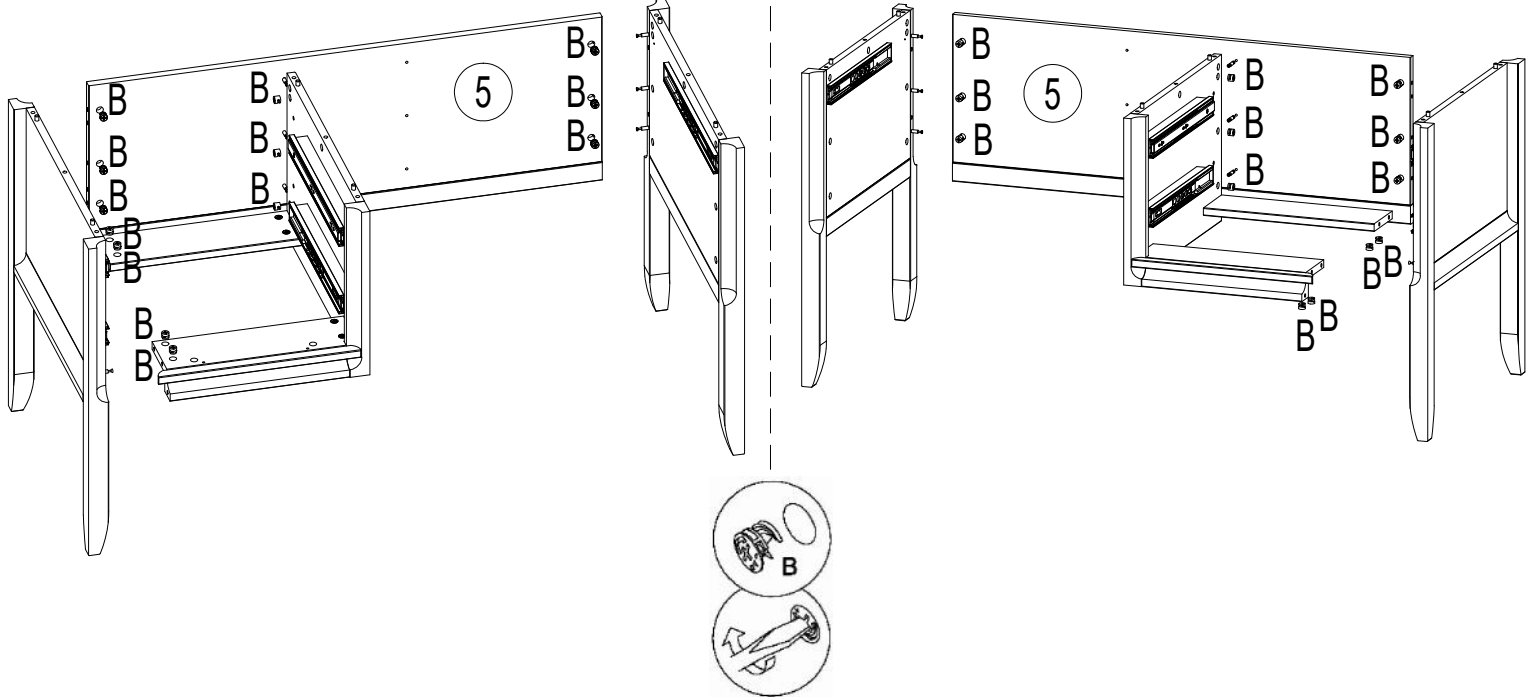
10

B 030110 x13



a

b



11

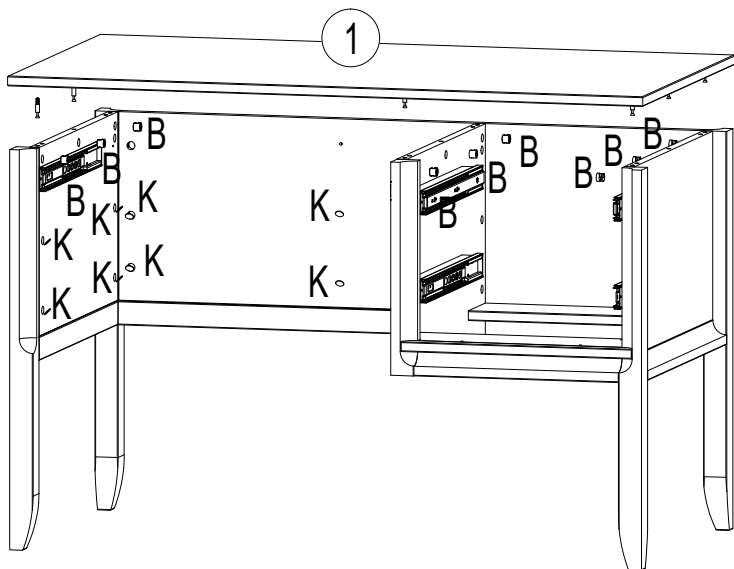
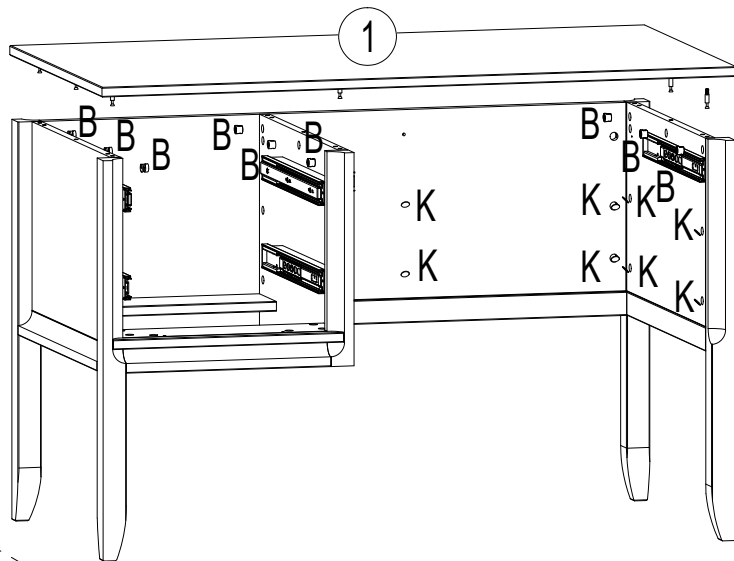
B x9

K x8

a



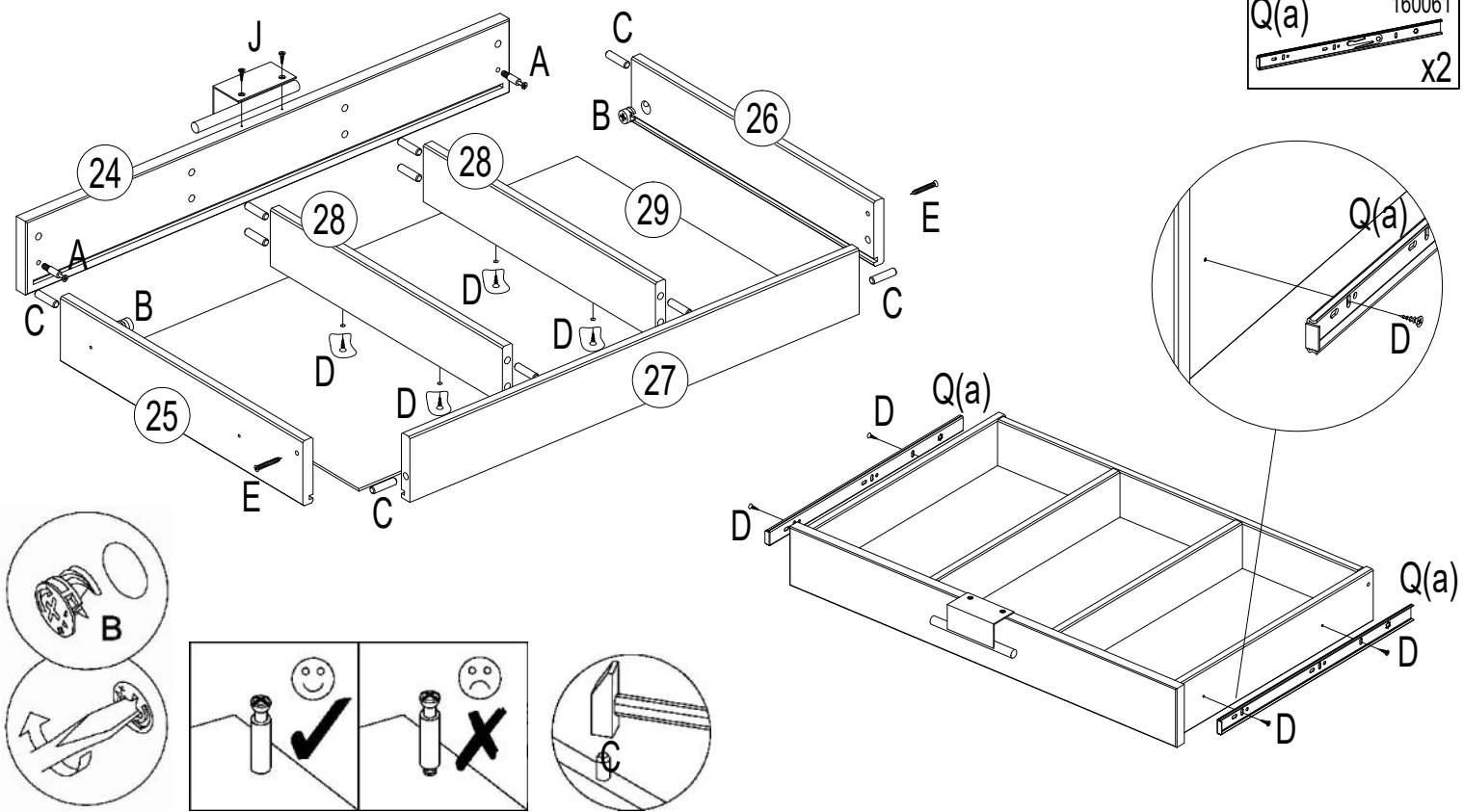
b



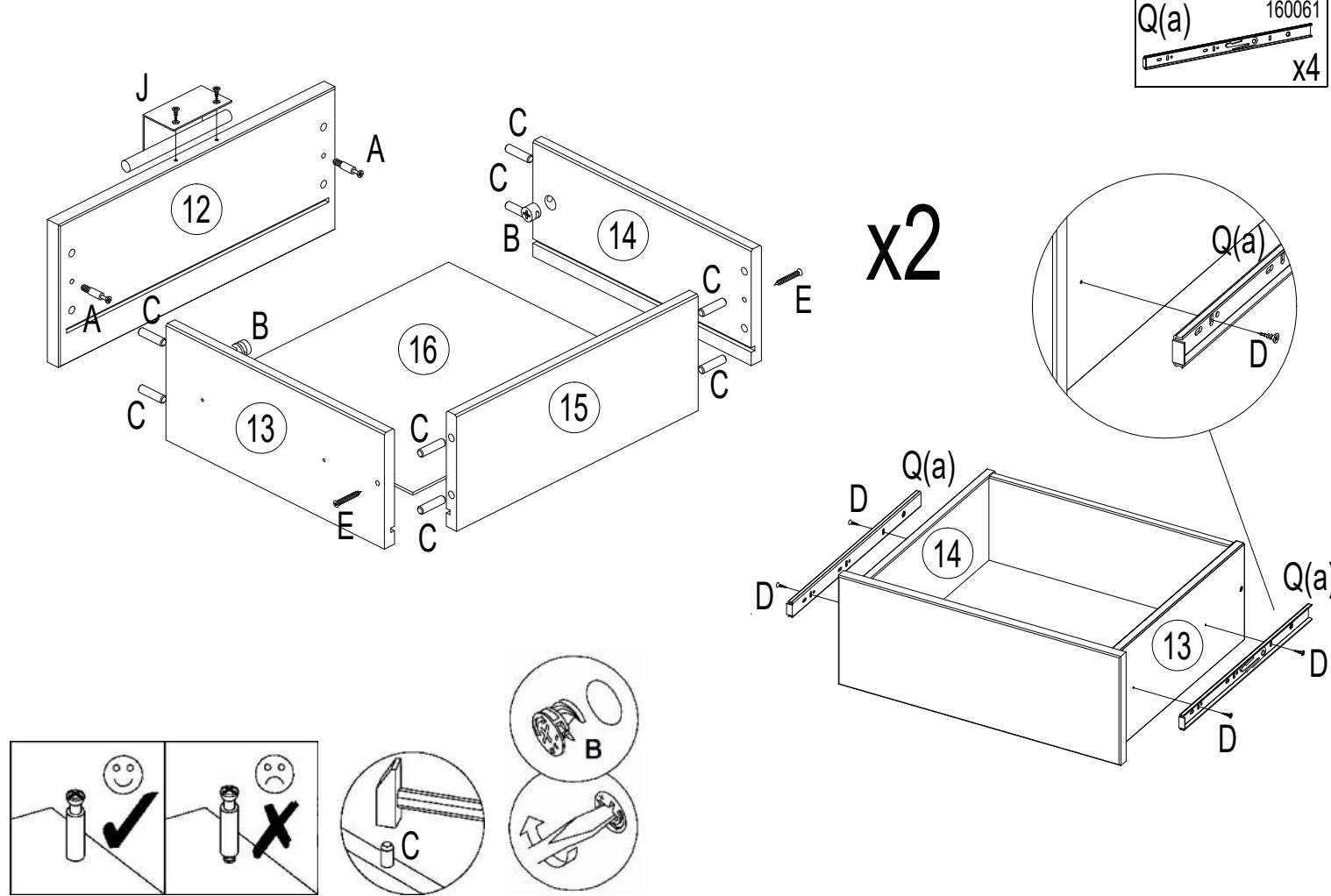
Kx13

K

- | | | | | | | |
|-----------|--------------------|--------------------|--------------------------|---------------------------|---------------------------|-------------|
| 12 | A 030093 x2 | B 030110 x2 | C 230010 8x32 x12 | D 250012 3,5x15 x8 | E 250025 3,5x40 x2 | J x1 |
|-----------|--------------------|--------------------|--------------------------|---------------------------|---------------------------|-------------|



- | | | | | | | |
|-----------|--------------------|--------------------|--------------------------|---------------------------|---------------------------|-------------|
| 13 | A 030093 x4 | B 030110 x4 | C 230010 8x32 x16 | D 250012 3,5x15 x8 | E 250025 3,5x40 x4 | J x2 |
|-----------|--------------------|--------------------|--------------------------|---------------------------|---------------------------|-------------|



14

D 250012
3,5x15 x6

30 kg max

