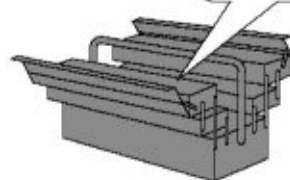
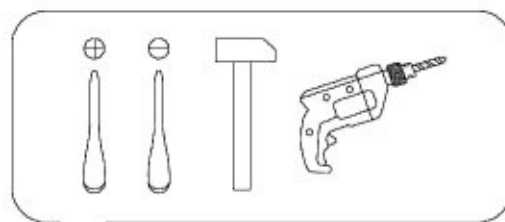
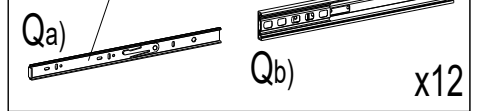
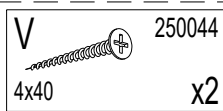
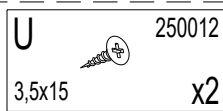
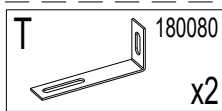
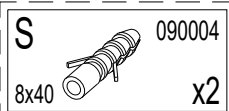
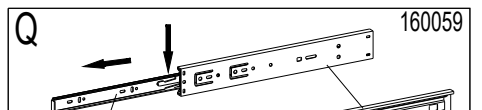
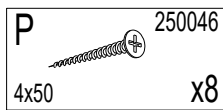
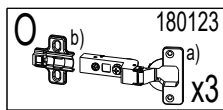
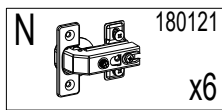
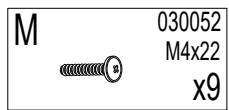
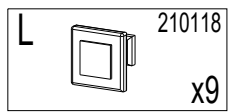
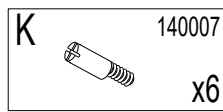
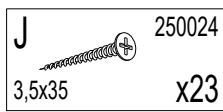
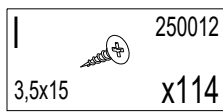
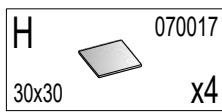
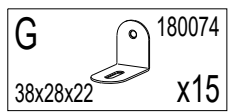
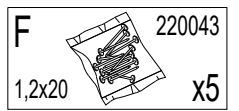
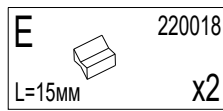
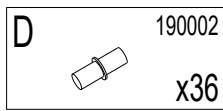
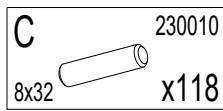
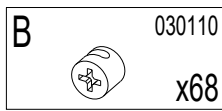
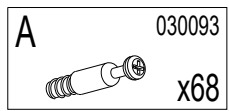
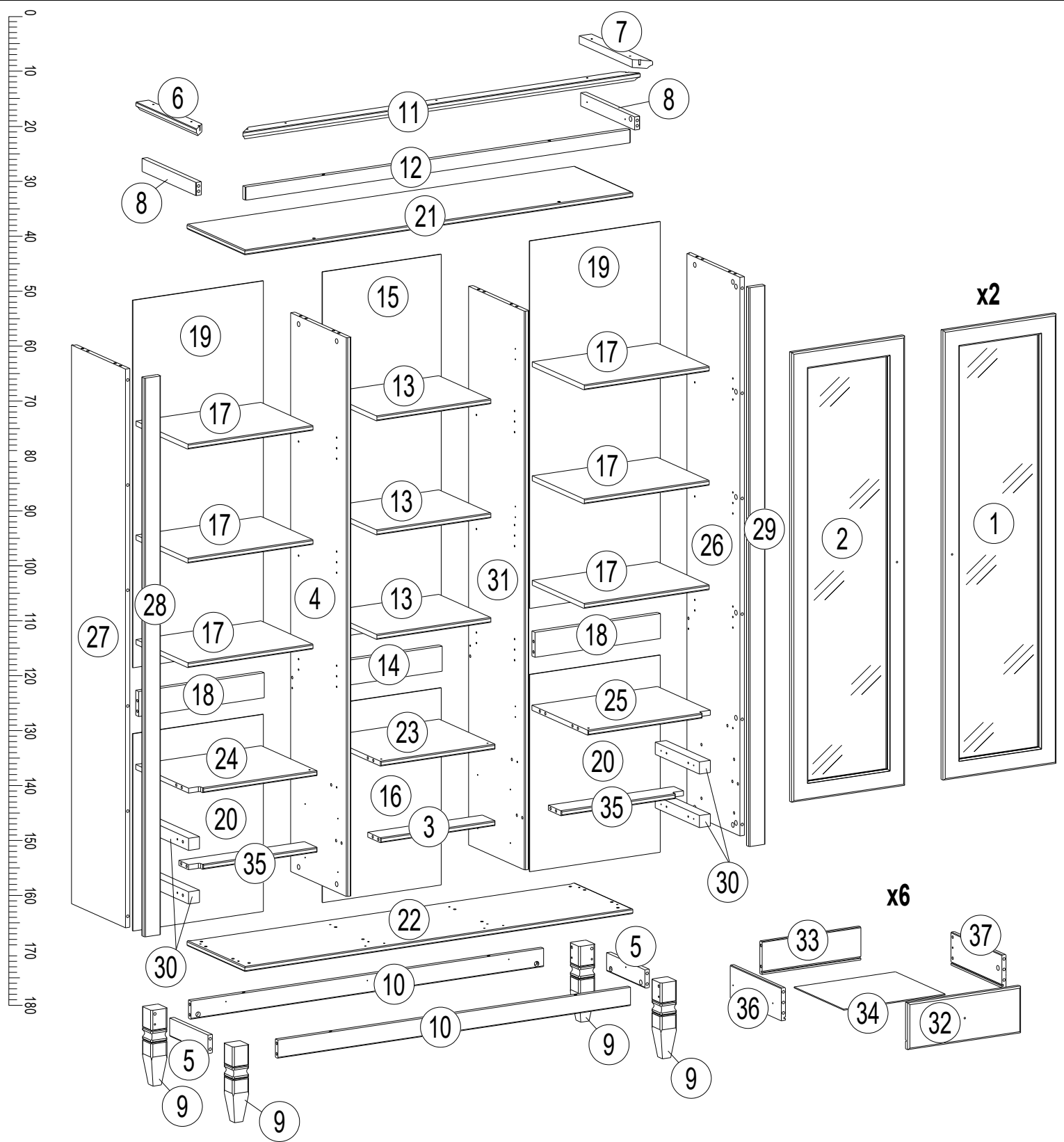


- |           |                                    |           |                                |
|-----------|------------------------------------|-----------|--------------------------------|
| <b>D</b>  | <b>Montageanleitung</b>            | <b>GB</b> | <b>Assembly instructions</b>   |
| <b>FR</b> | <b>Notice de montage</b>           | <b>IT</b> | <b>Istruzioni di montaggio</b> |
| <b>NL</b> | <b>Handleiding voor de montage</b> | <b>PL</b> | <b>Instrukcja montażu</b>      |
| <b>CZ</b> | <b>Montážní návod</b>              | <b>SK</b> | <b>Návod na montáž</b>         |
| <b>HU</b> | <b>Szerelési útmutató</b>          | <b>RO</b> | <b>Instrukțiuni de montaj</b>  |
| <b>TR</b> | <b>Montaj talimatı</b>             | <b>RU</b> | <b>Инструкция по монтажу</b>   |





| №  | Size/MaB (mm) | Qty | ✓ | №  | Size/MaB (mm) | Qty | ✓ |
|----|---------------|-----|---|----|---------------|-----|---|
| 1  | 1368x383x18   | 2   |   | 20 | 600x443x3     | 2   |   |
| 2  | 1368x383x18   | 1   |   | 21 | 1317x340x15   | 1   |   |
| 3  | 389x76x15     | 1   |   | 22 | 1317x340x15   | 1   |   |
| 4  | 1700x330x15   | 1   |   | 23 | 389x330x15    | 1   |   |
| 5  | 225x56x15     | 2   |   | 24 | 426x330x15    | 1   |   |
| 6  | 356x44x24     | 1   |   | 25 | 426x330x15    | 1   |   |
| 7  | 356x44x24     | 1   |   | 26 | 1700x317x15   | 1   |   |
| 8  | 317x40x18     | 2   |   | 27 | 1700x317x15   | 1   |   |
| 9  | 235x55x55     | 4   |   | 28 | 1700x55x18    | 1   |   |
| 10 | 1197x56x15    | 2   |   | 29 | 1700x55x18    | 1   |   |
| 11 | 1349x44x24    | 1   |   | 30 | 260x37x37     | 4   |   |
| 12 | 1307x40x18    | 1   |   | 31 | 1700x330x15   | 1   |   |
| 13 | 387x306x15    | 3   |   | 32 | 383x142x18    | 6   |   |
| 14 | 389x76x18     | 1   |   | 33 | 335x100x14    | 6   |   |
| 15 | 1118x403x3    | 1   |   | 34 | 344x292x3     | 6   |   |
| 16 | 600x403x3     | 1   |   | 35 | 426x76x15     | 2   |   |
| 17 | 424x306x15    | 6   |   | 36 | 300x100x14    | 6   |   |
| 18 | 426x76x18     | 2   |   | 37 | 300x100x14    | 6   |   |
| 19 | 1118x443x3    | 2   |   |    |               |     |   |

1

A 030093 x26

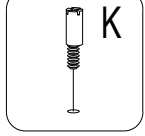
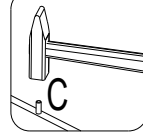
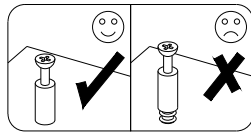
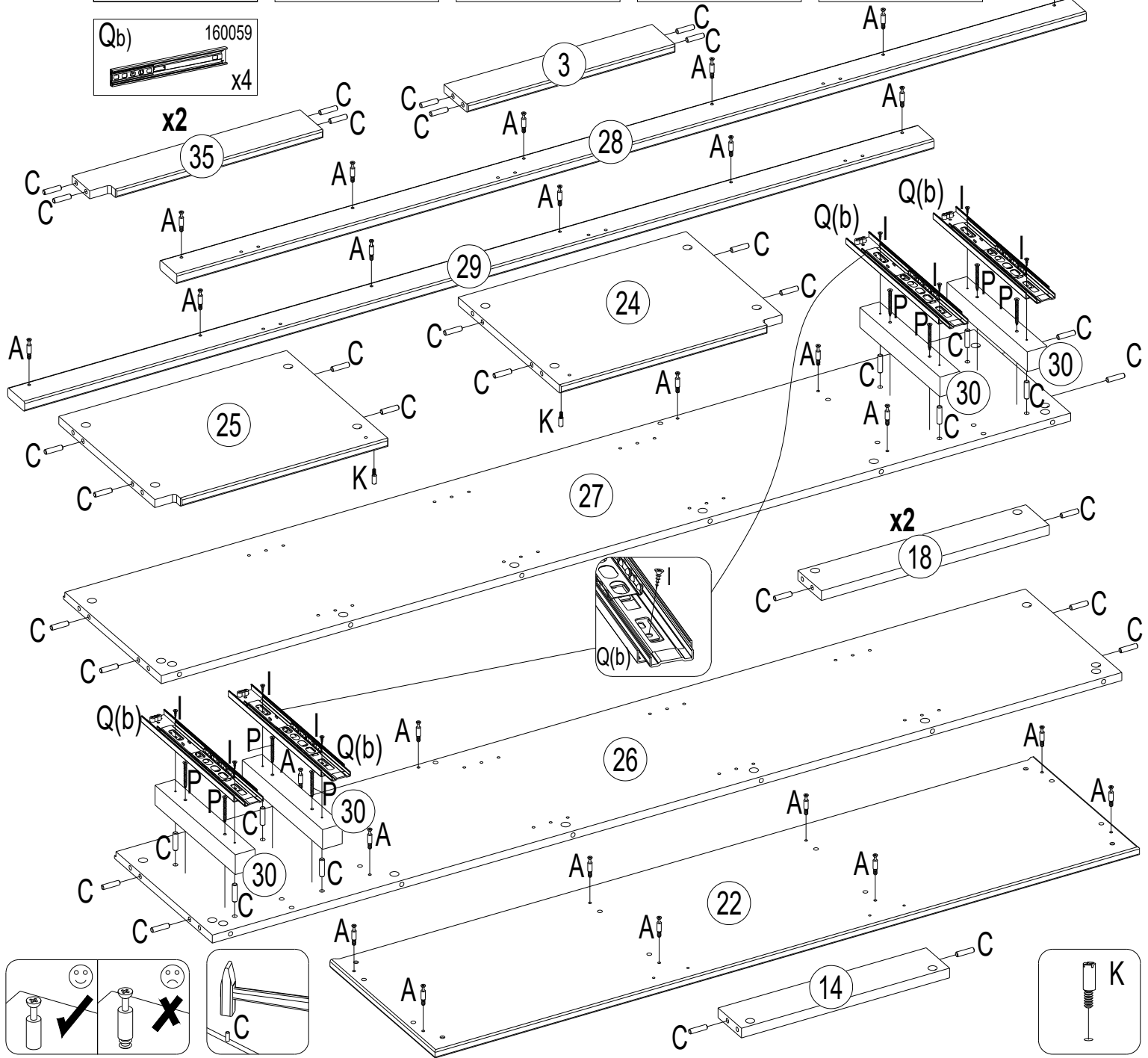
C 230010 8x32 x42

I 250012 3,5x15 x8

K 140007 x2

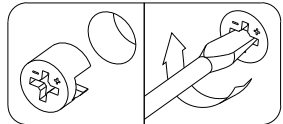
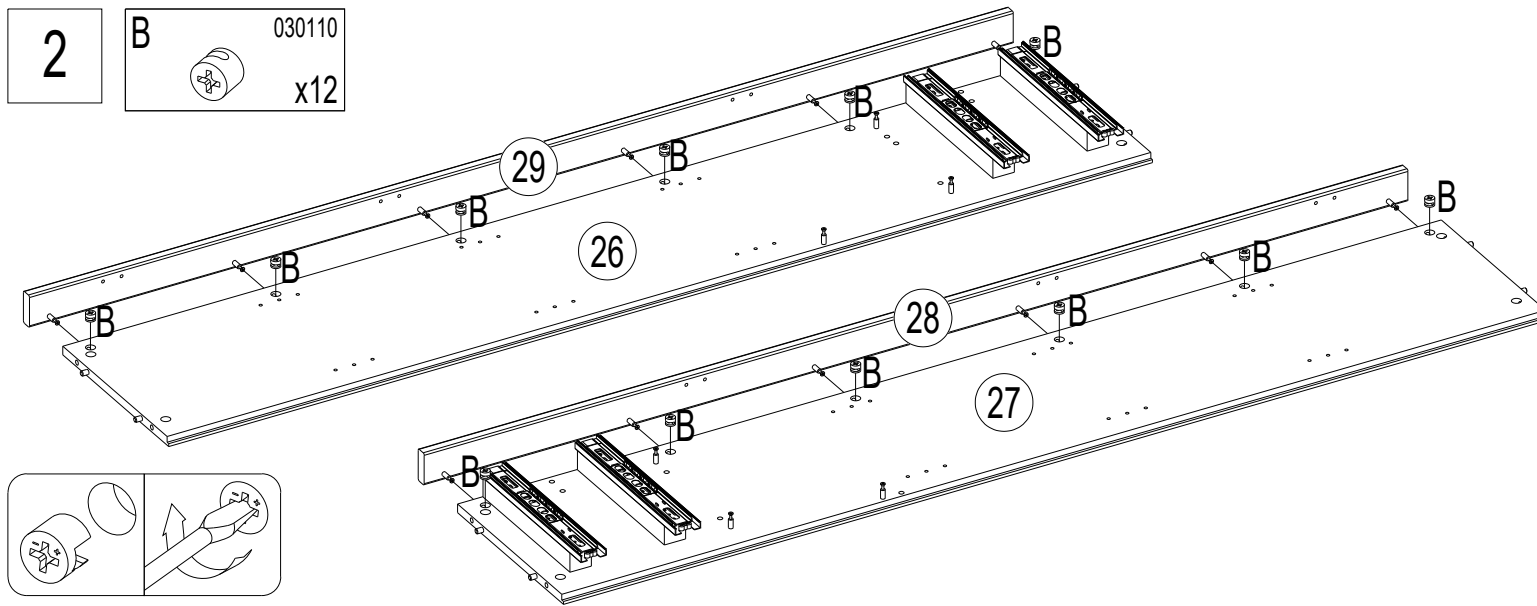
P 250046 4x50 x8

Q(b) 160059 x4



2

B 030110 x12



3a

A 030093 x20

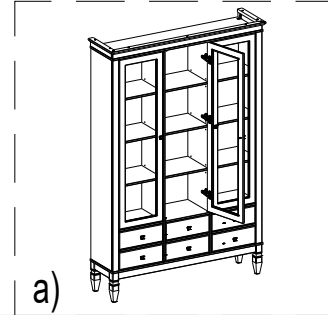
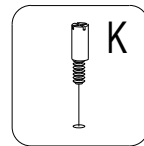
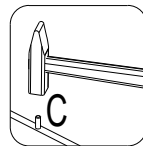
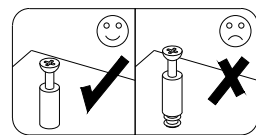
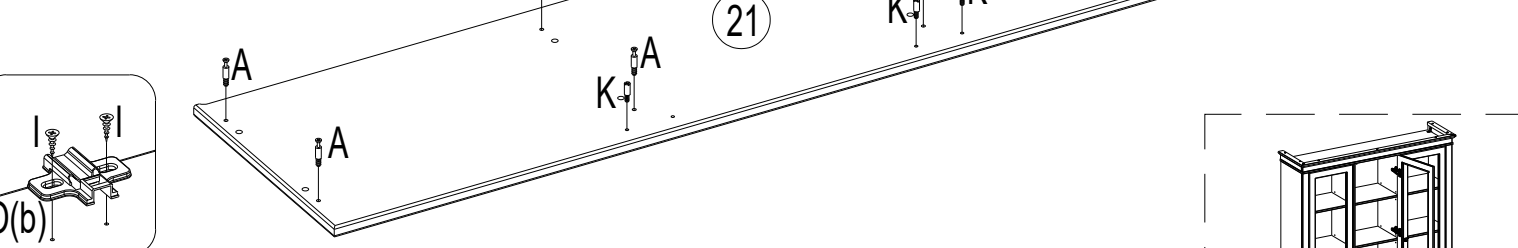
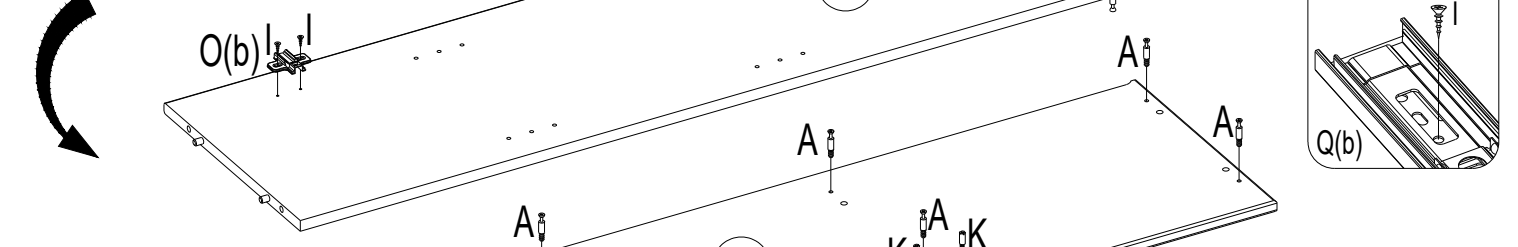
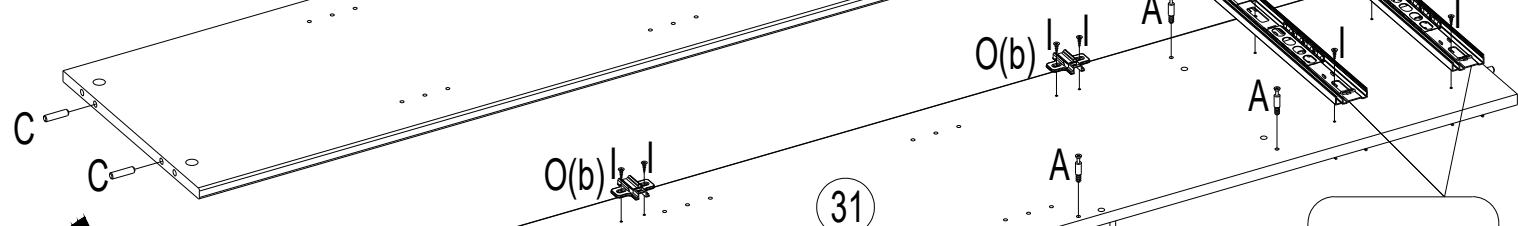
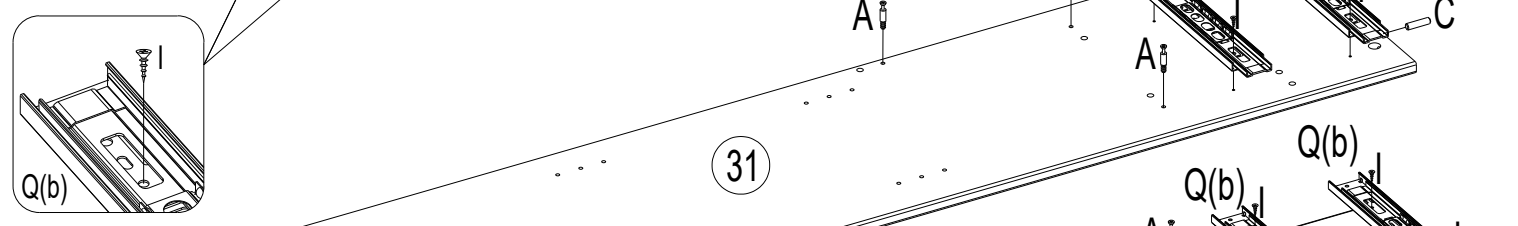
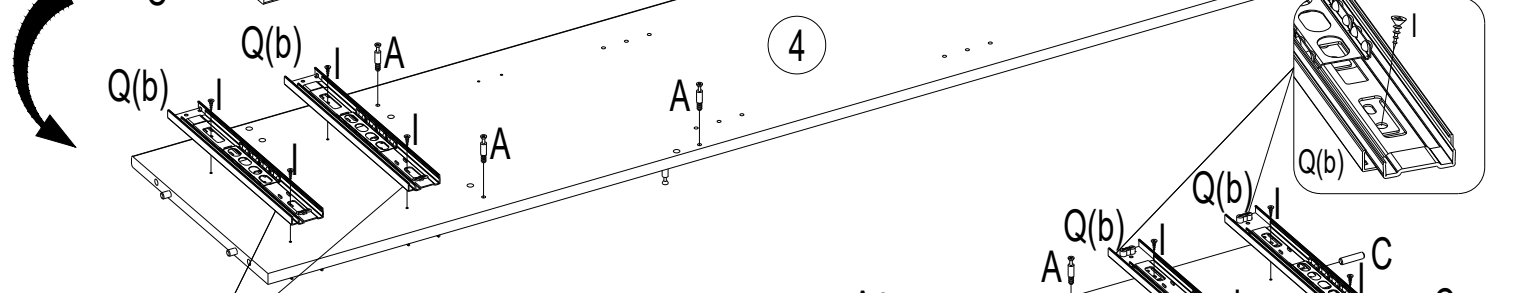
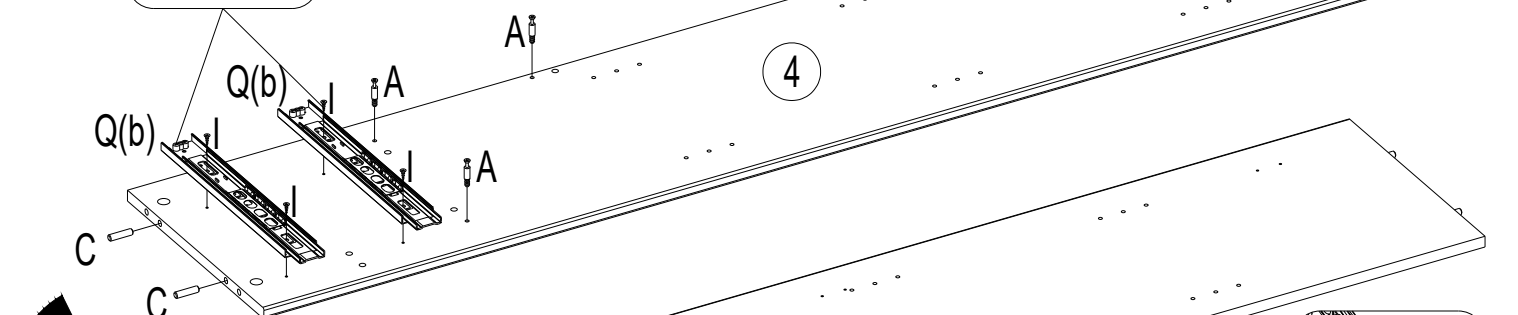
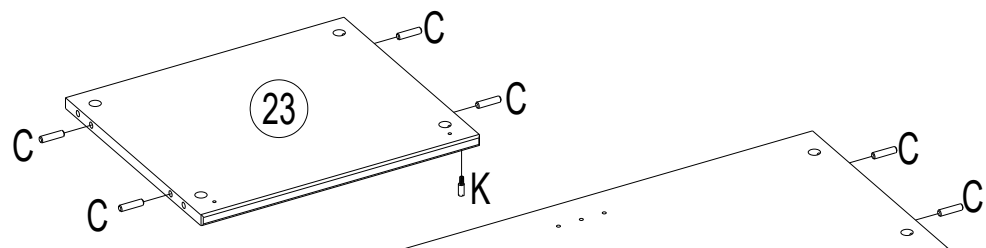
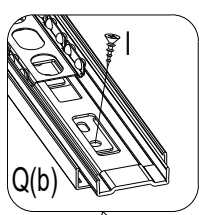
C 230010 8x32 x12

I 250012 3,5x15 x22

K 140007 x4

O 180123 x3

Q(b) 160059 x8



3b

A 030093 x20

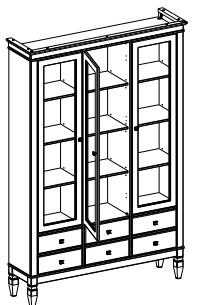
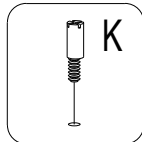
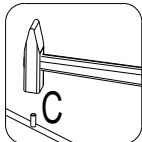
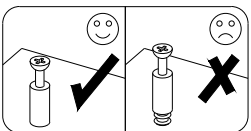
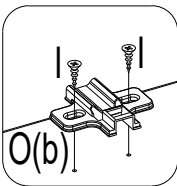
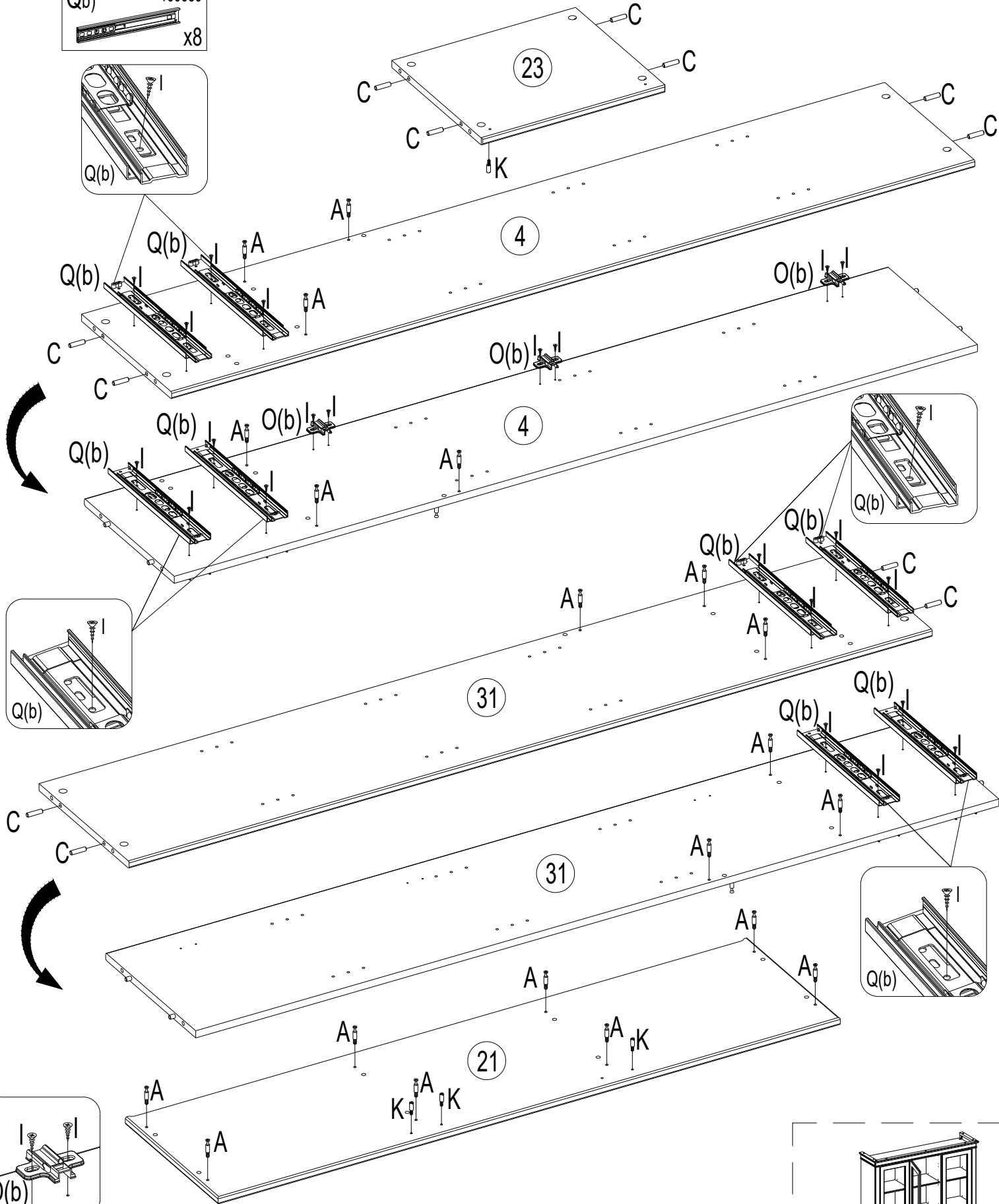
C 230010 8x32 x12

I 250012 3,5x15 x22

K 140007 x4

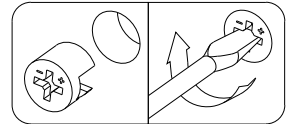
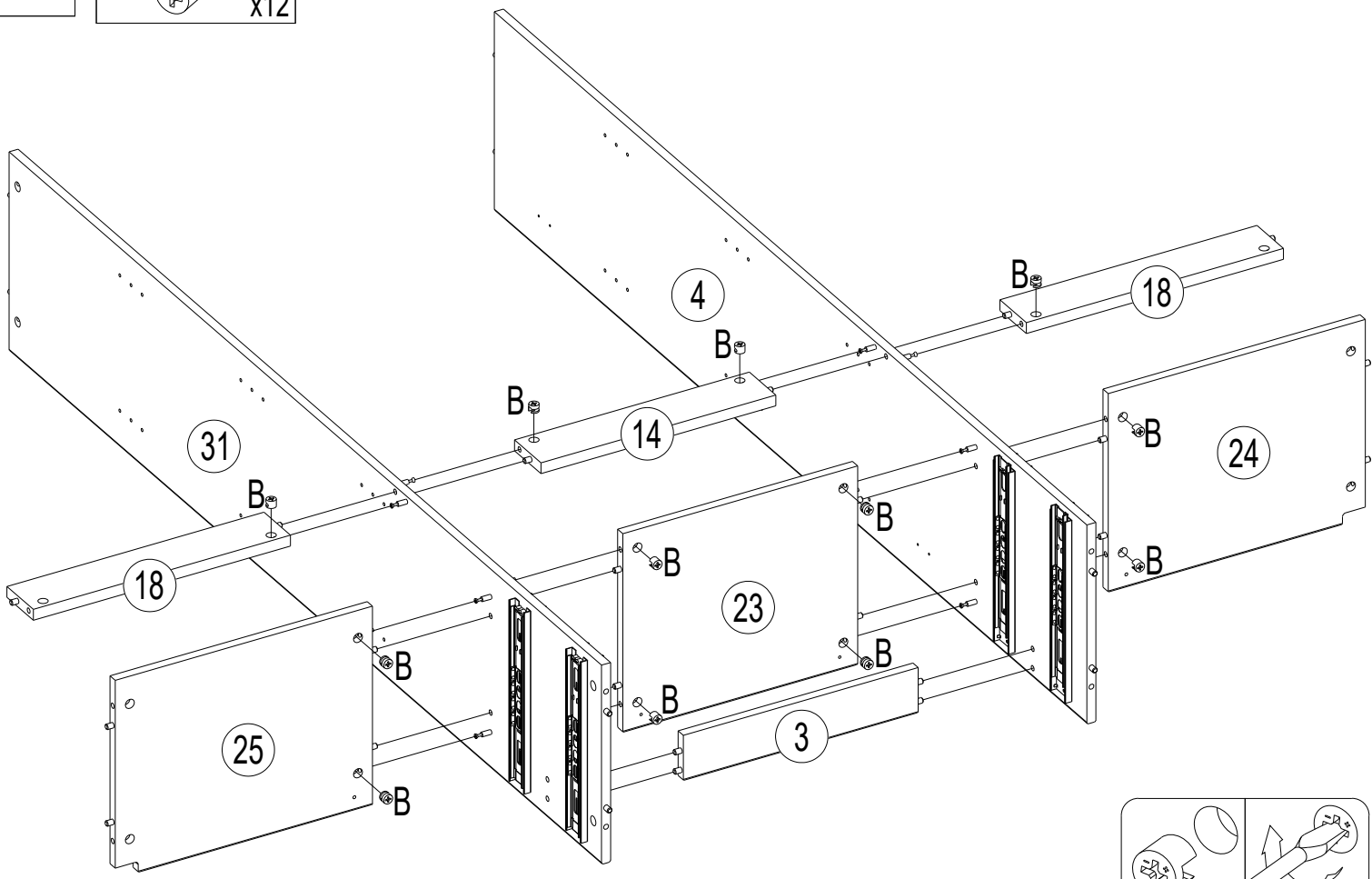
O 180123 x3

Q(b) 160059 x8



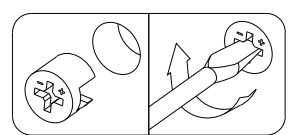
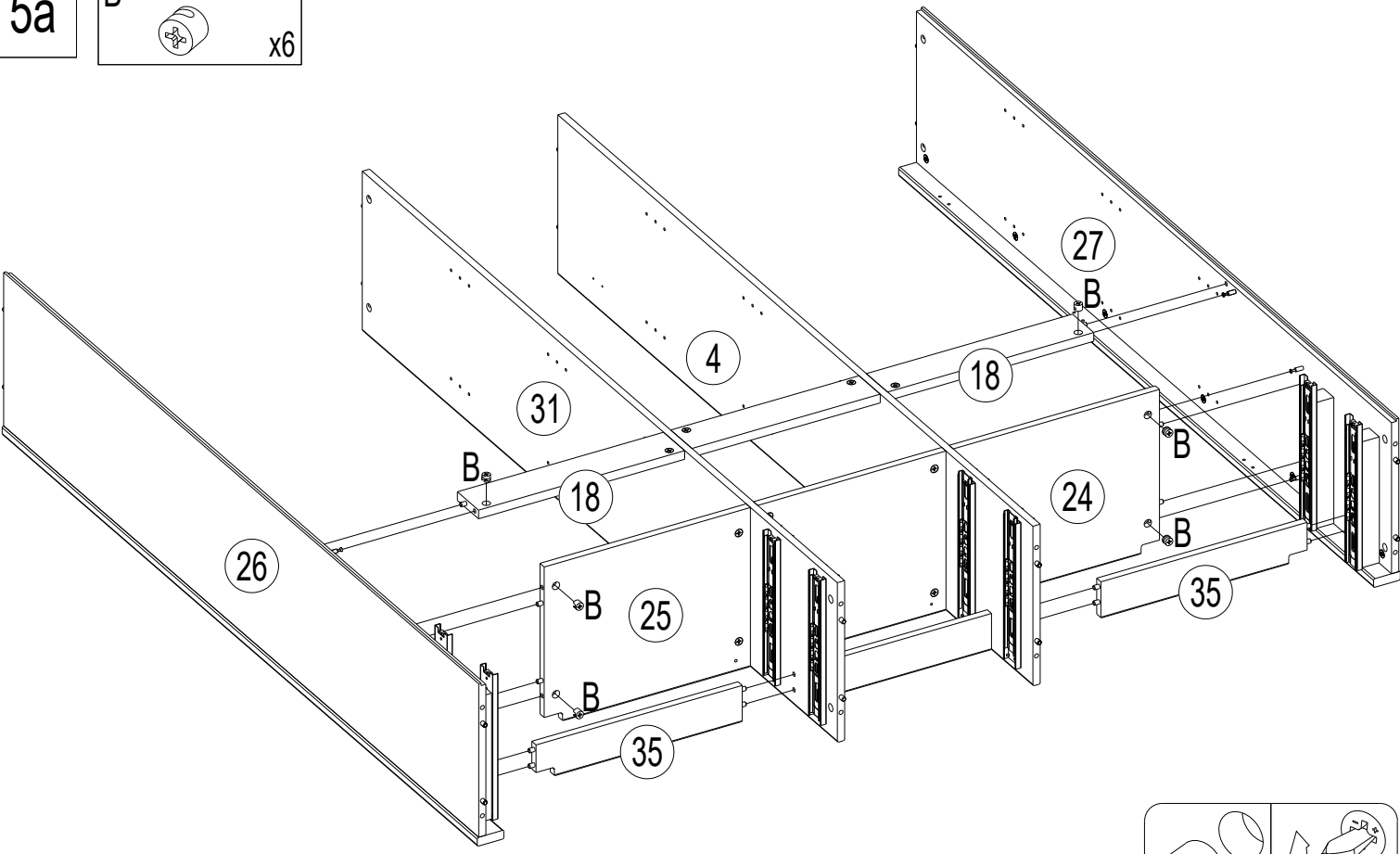
4a

B 030110 x12

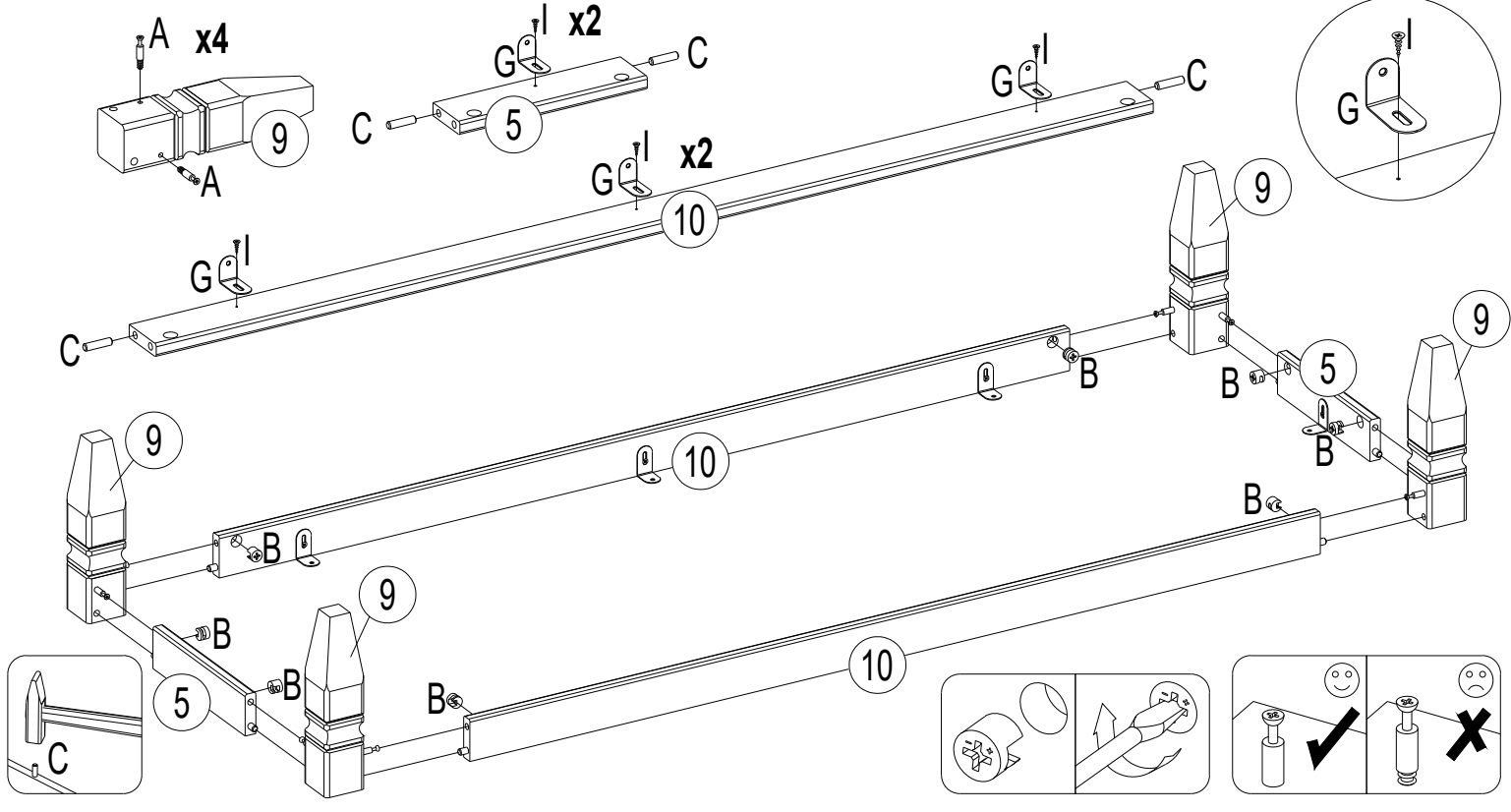


5a

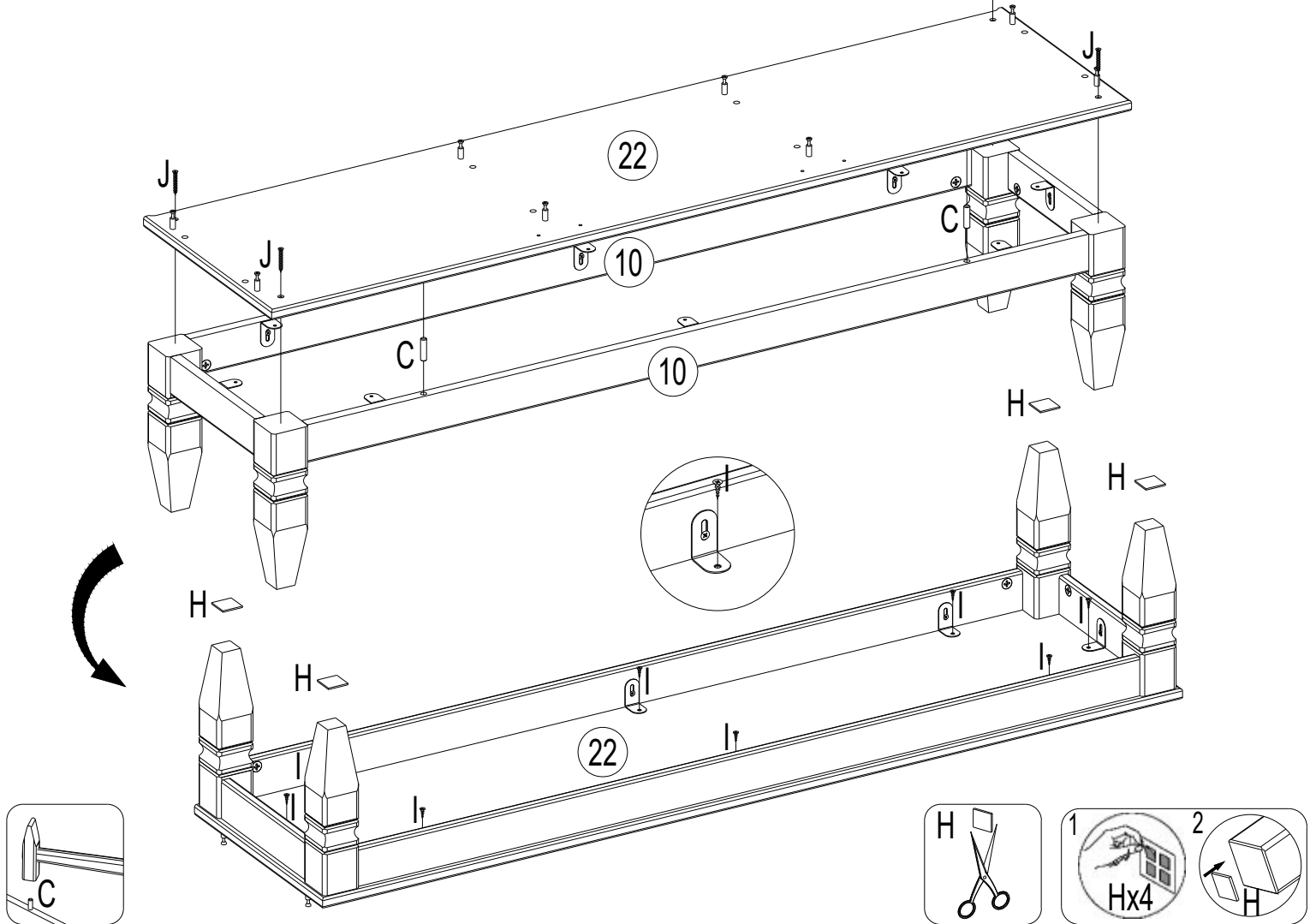
B 030110 x6



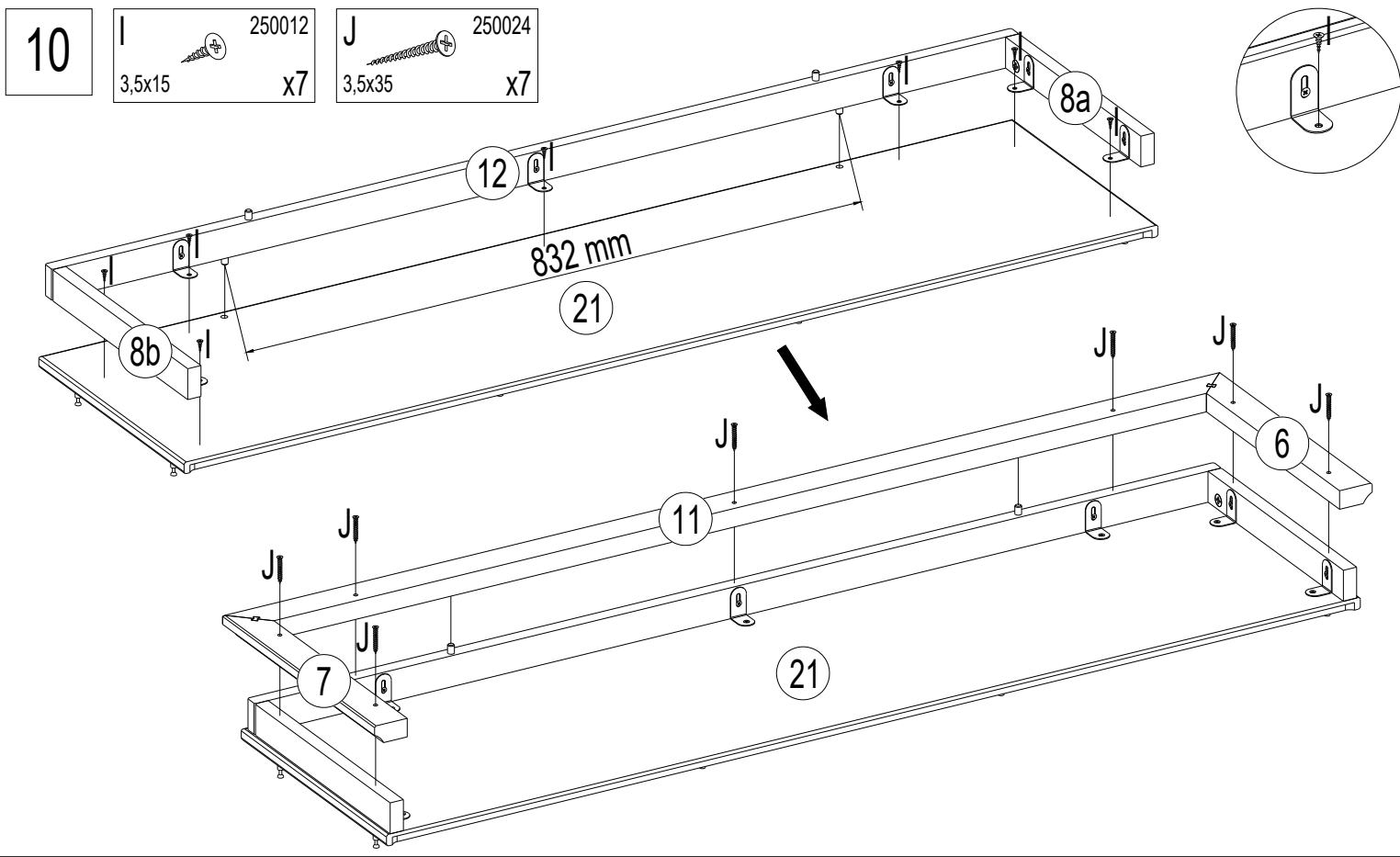
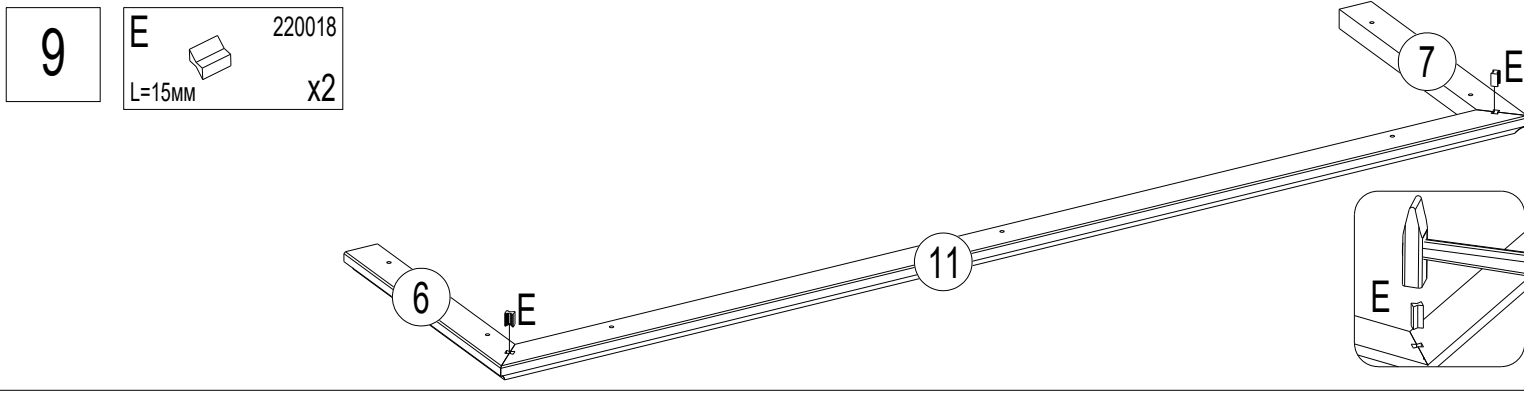
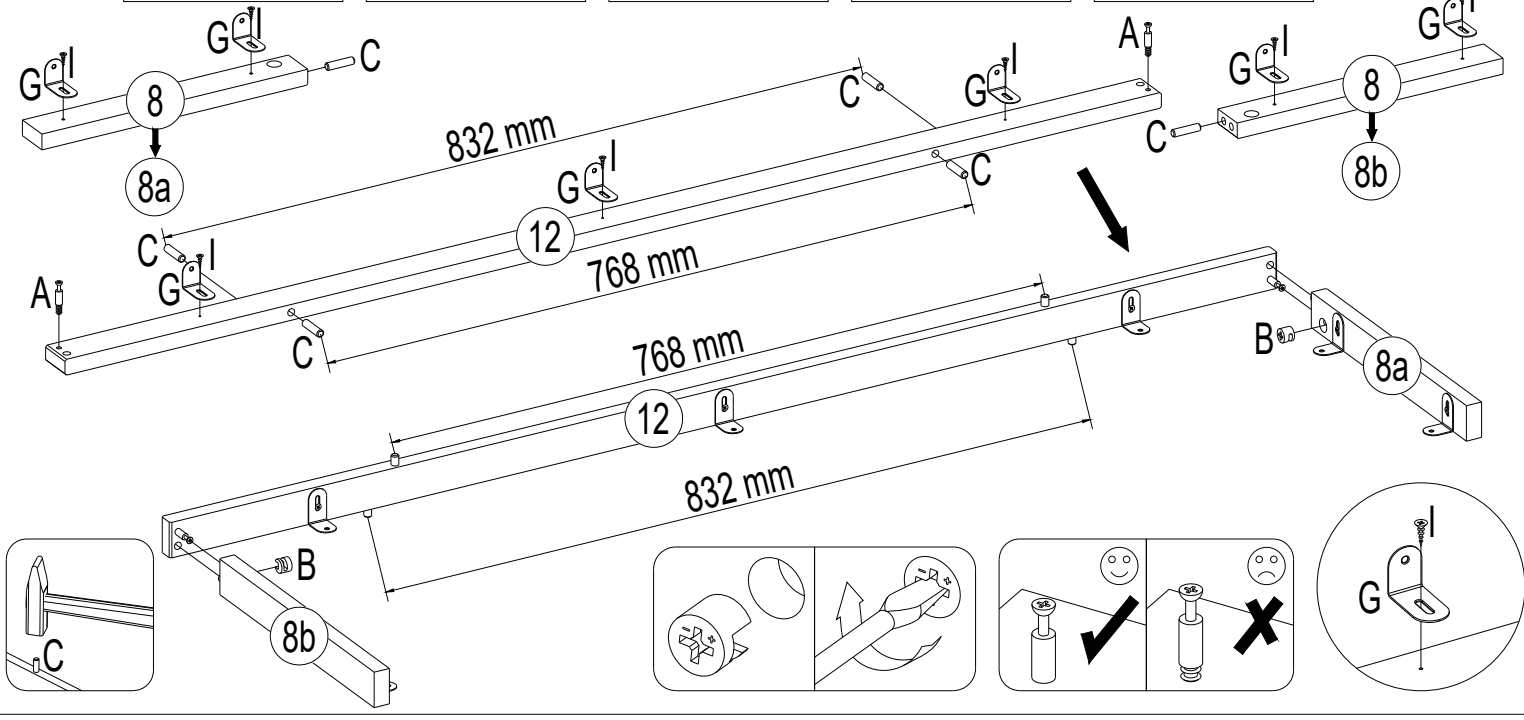
- 6** **A** 030093 x8
- B** 030110 x8
- C** 230010 8x32 x8
- G** 180074 38x28x22 x8
- I** 250012 3,5x15 x8



- 7** **C** 230010 8x32 x2
- H** 070017 30x30 x4
- I** 250012 3,5x15 x8
- J** 250024 3,5x35 x4

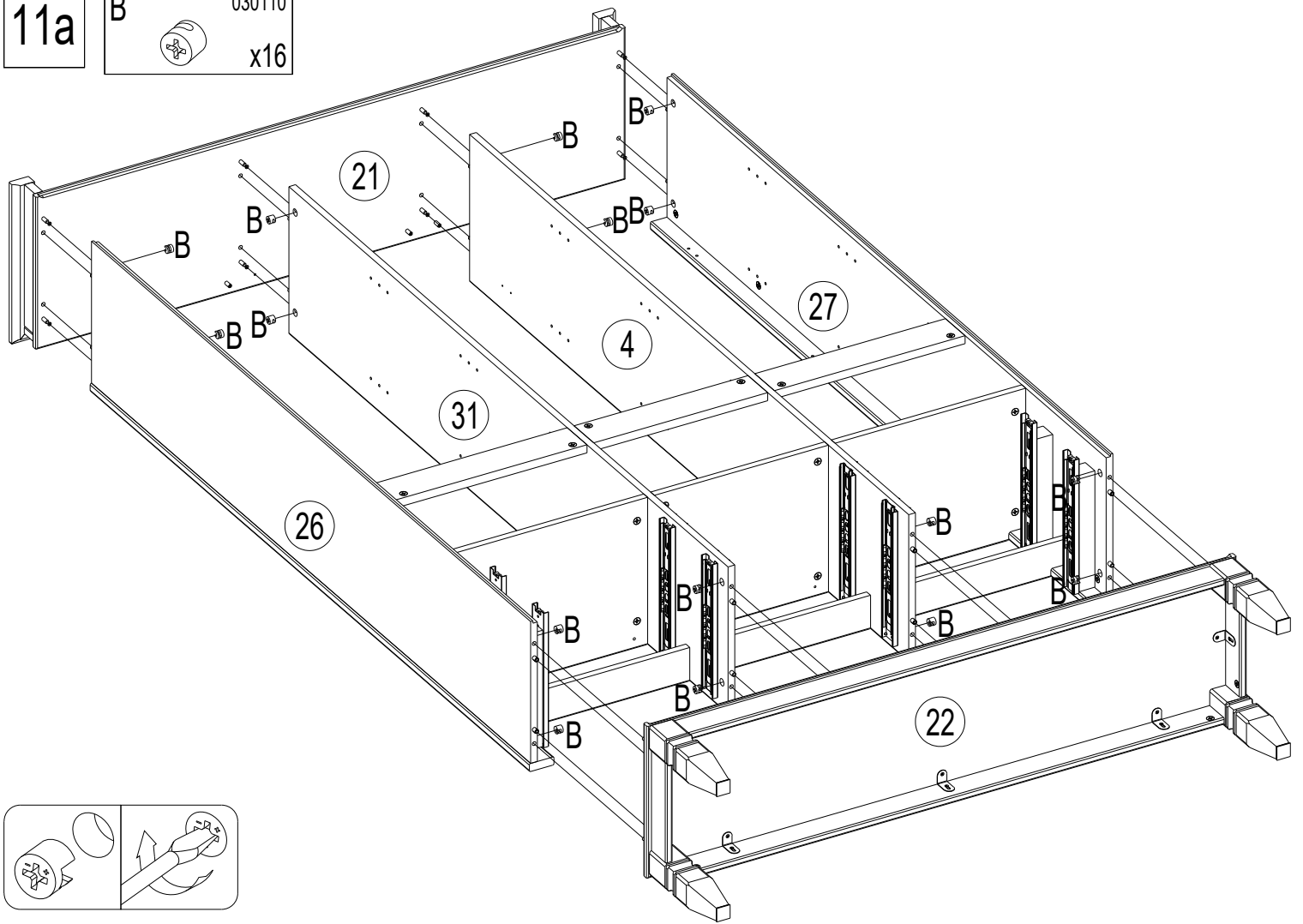


- |          |                       |                       |                            |                                |                              |
|----------|-----------------------|-----------------------|----------------------------|--------------------------------|------------------------------|
| <b>8</b> | <b>A</b> 030093<br>x2 | <b>B</b> 030110<br>x2 | <b>C</b> 230010<br>8x32 x6 | <b>G</b> 180074<br>38x28x22 x7 | <b>I</b> 250012<br>3,5x15 x7 |
|----------|-----------------------|-----------------------|----------------------------|--------------------------------|------------------------------|



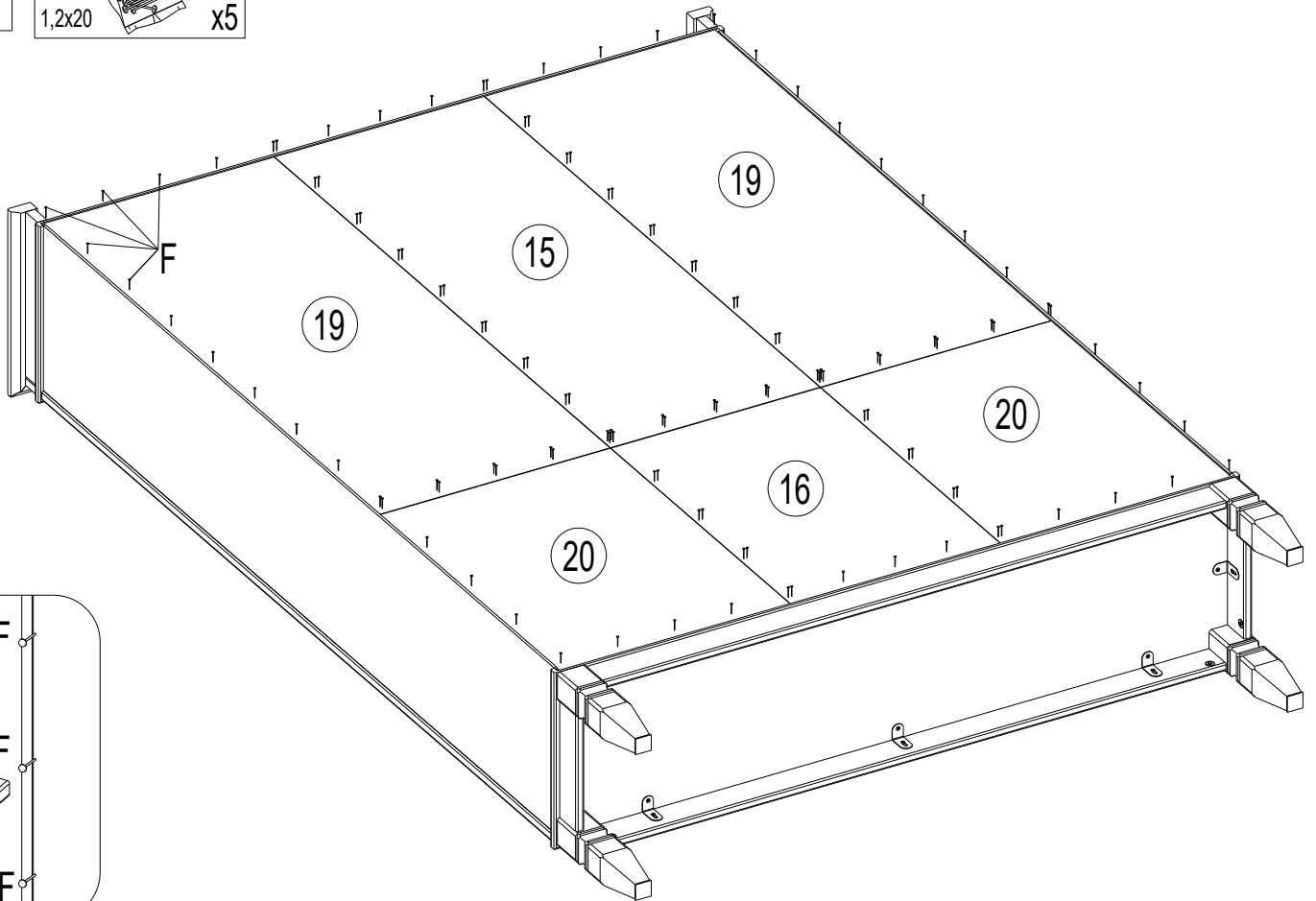
11a

B 030110  
x16




12

F 220043  
1,2x20 x5

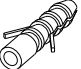


13a

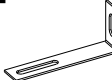
**D** 190002 x36




**S** 090004 x2  
8x40




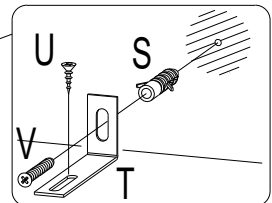
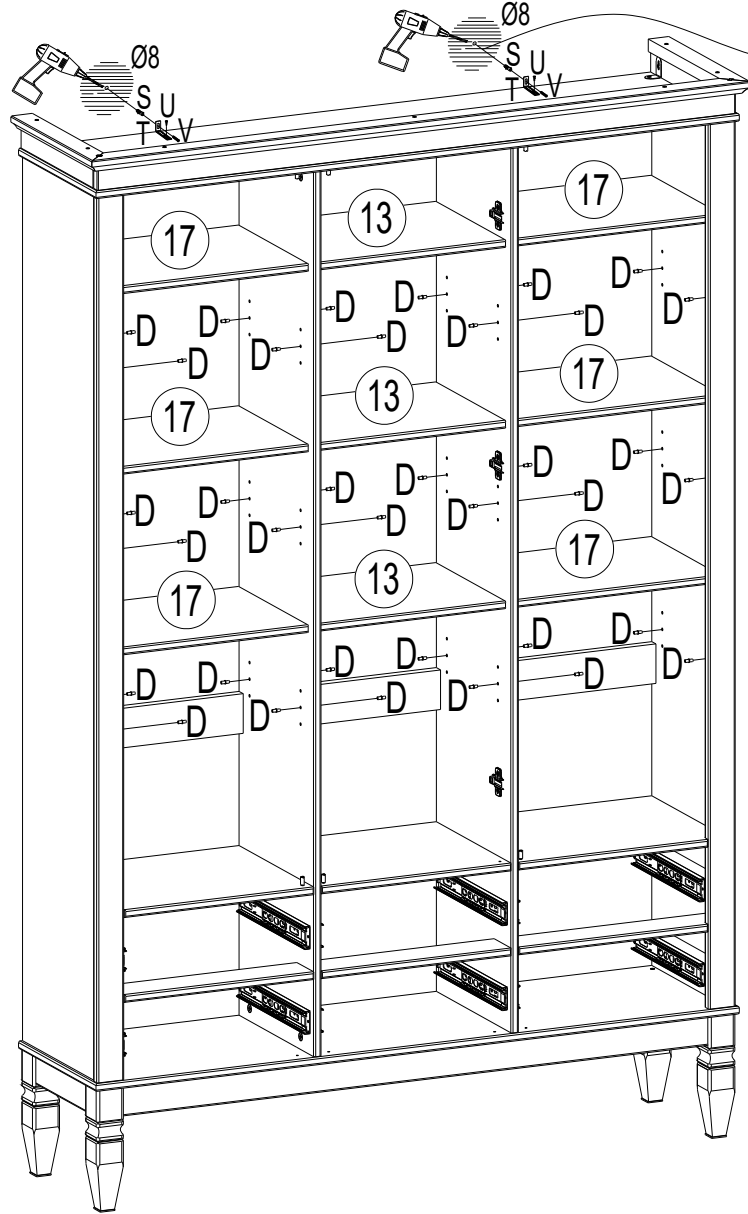
**T** 180080 x2

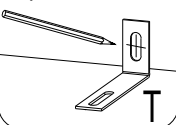
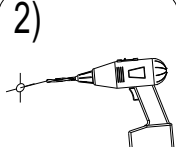
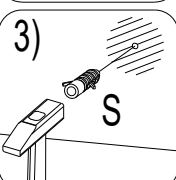
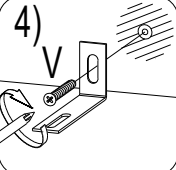



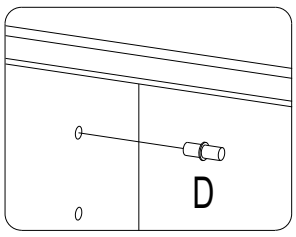
**U** 250012 x2  
3,5x15



**V** 250044 x2  
4x40





- 1) 
- 2) 
- 3) 
- 4) 
- 5) 




14


**I** 250012 x18  
3,5x15



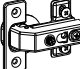
**L** 210118 x3



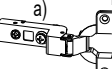
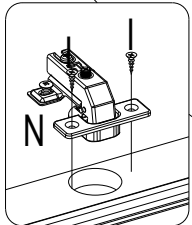
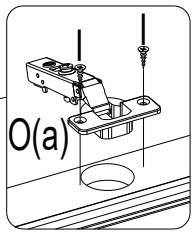
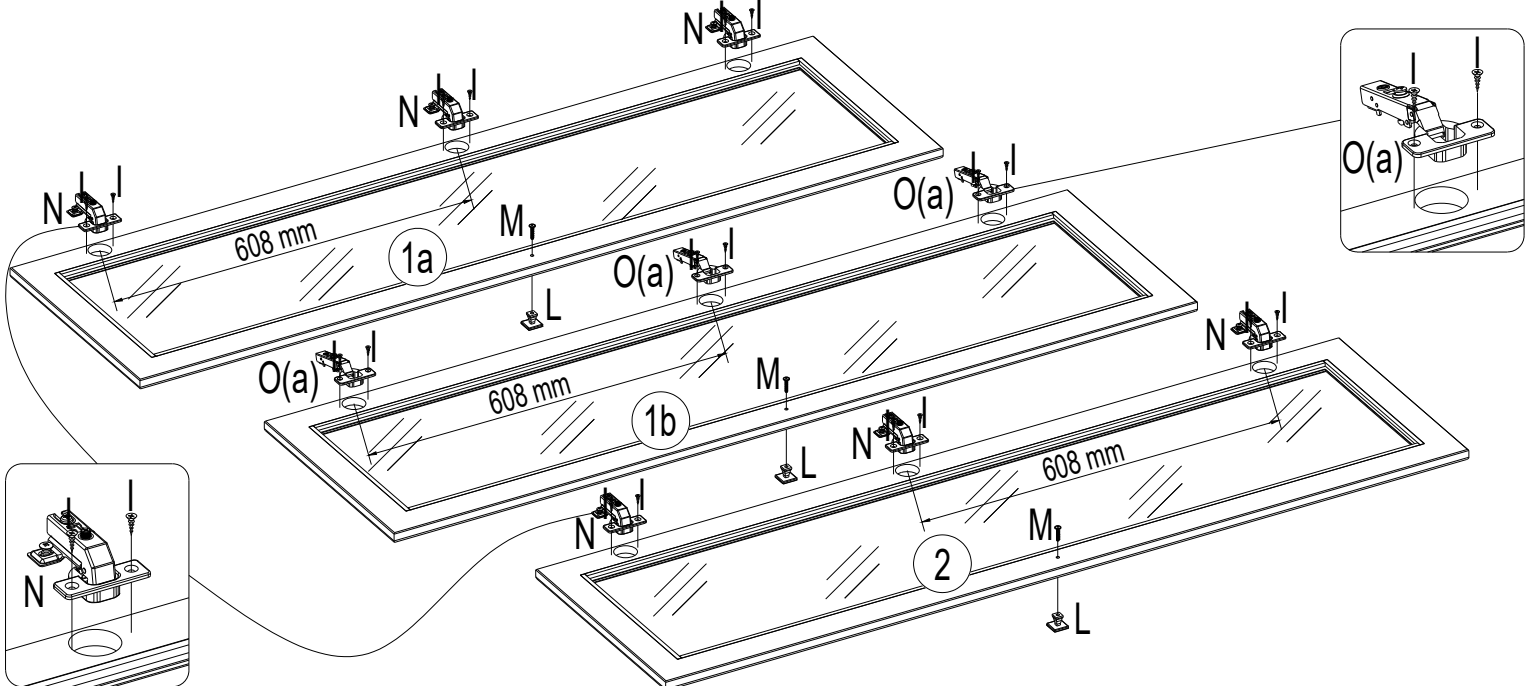
**M** 030052 x3  
M4x22



**N** 180121 x6



**O** 180123 x3  
a)

15

A 030093 x12

B 030110 x12

C 230010 8x32 x48

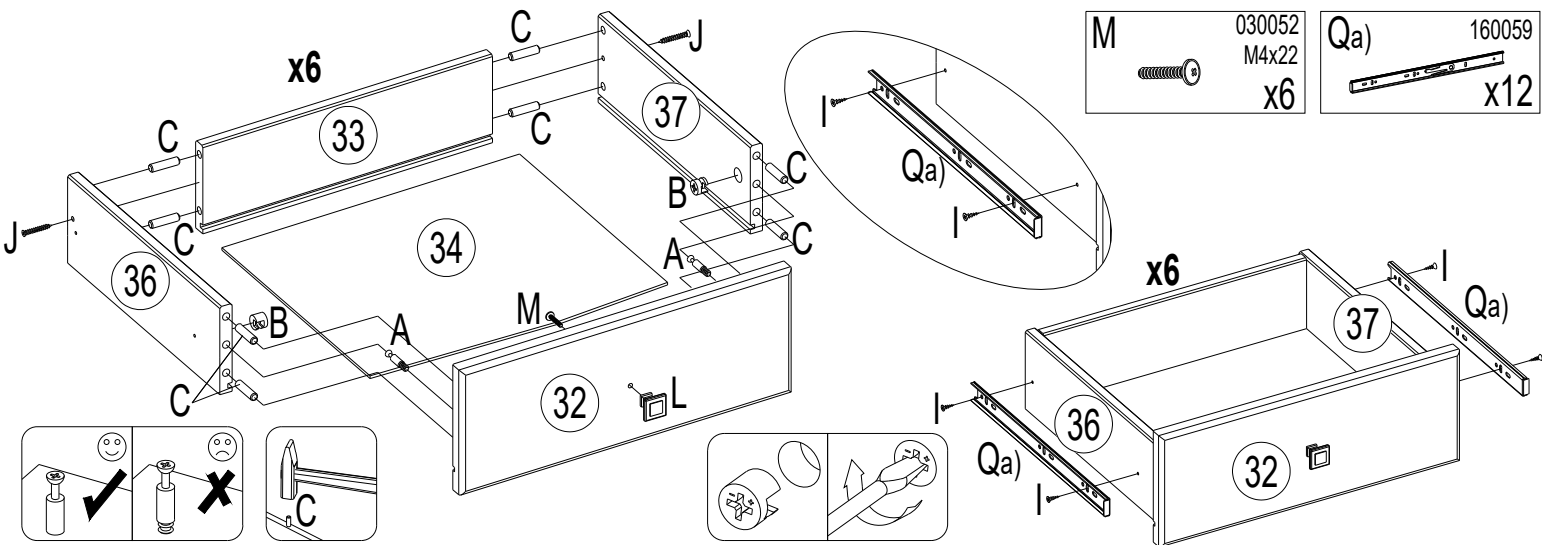
I 250012 3,5x15 x24

J 250024 3,5x35 x12

L 210118 x6

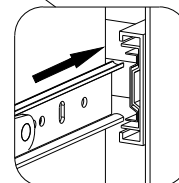
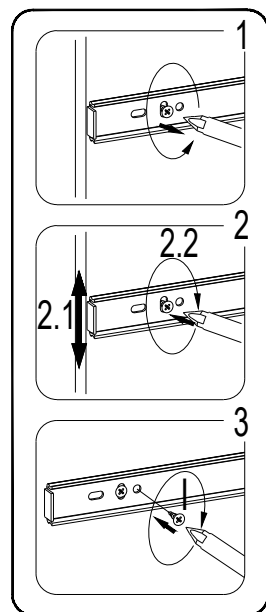
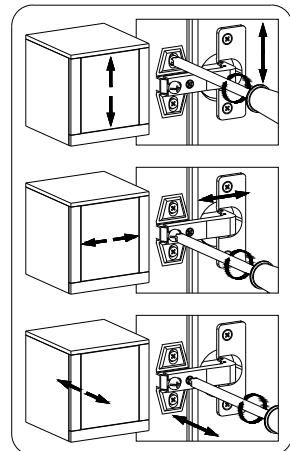
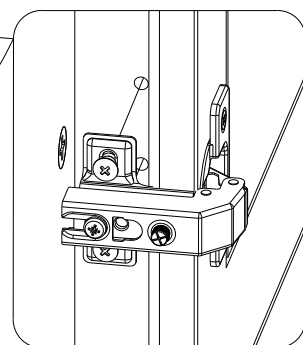
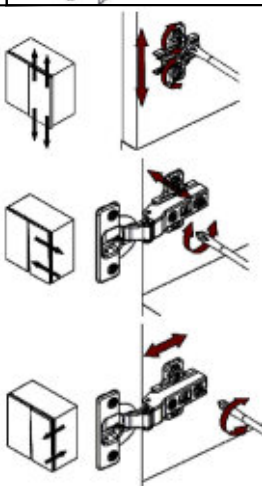
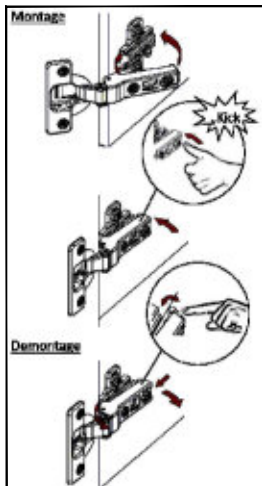
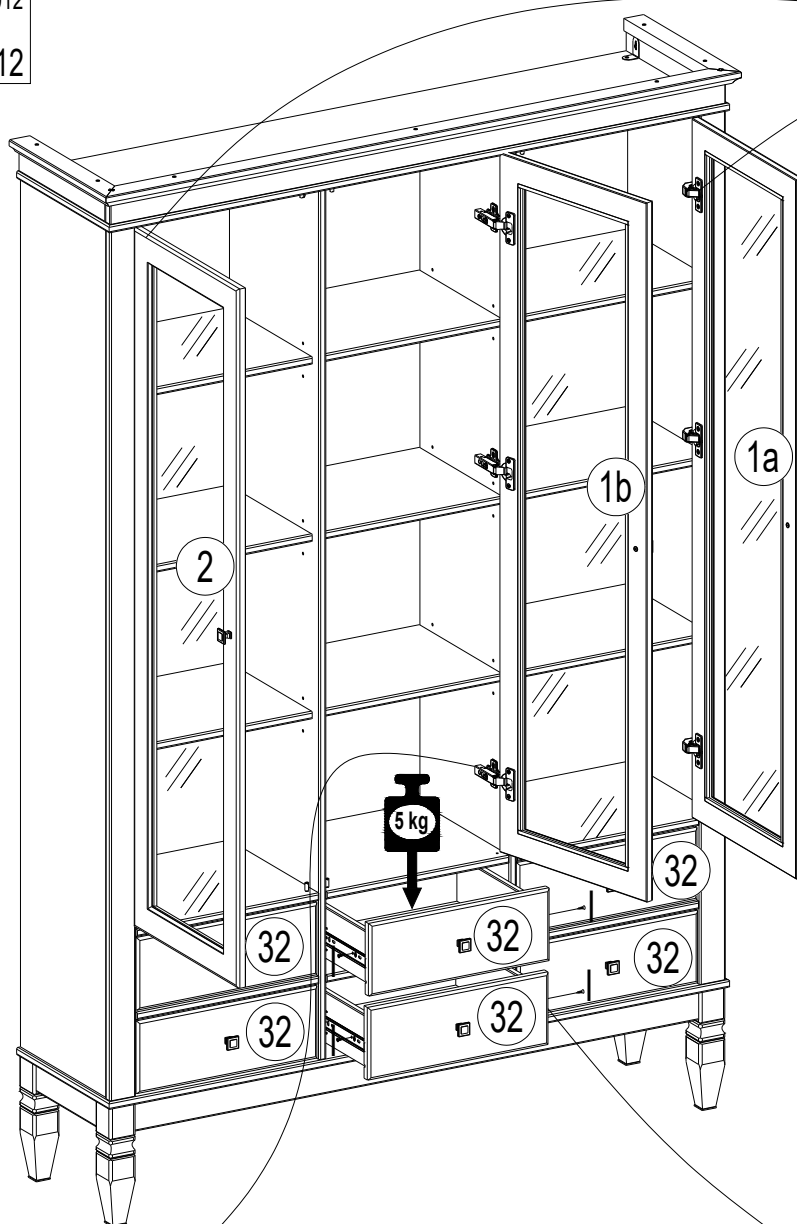
M 030052 M4x22 x6

Qa) 160059 x12



16a

I 250012 3,5x15 x12



16b

250012  
3,5x15 x12

