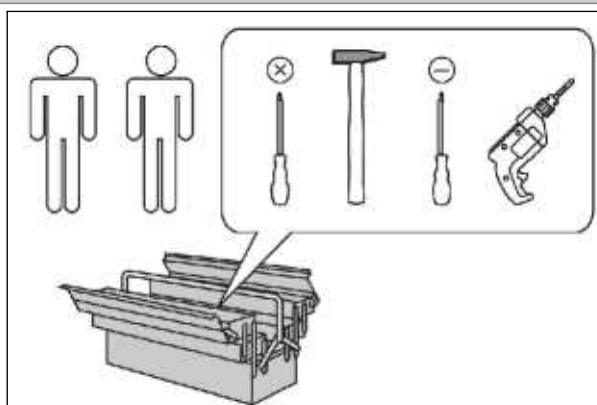
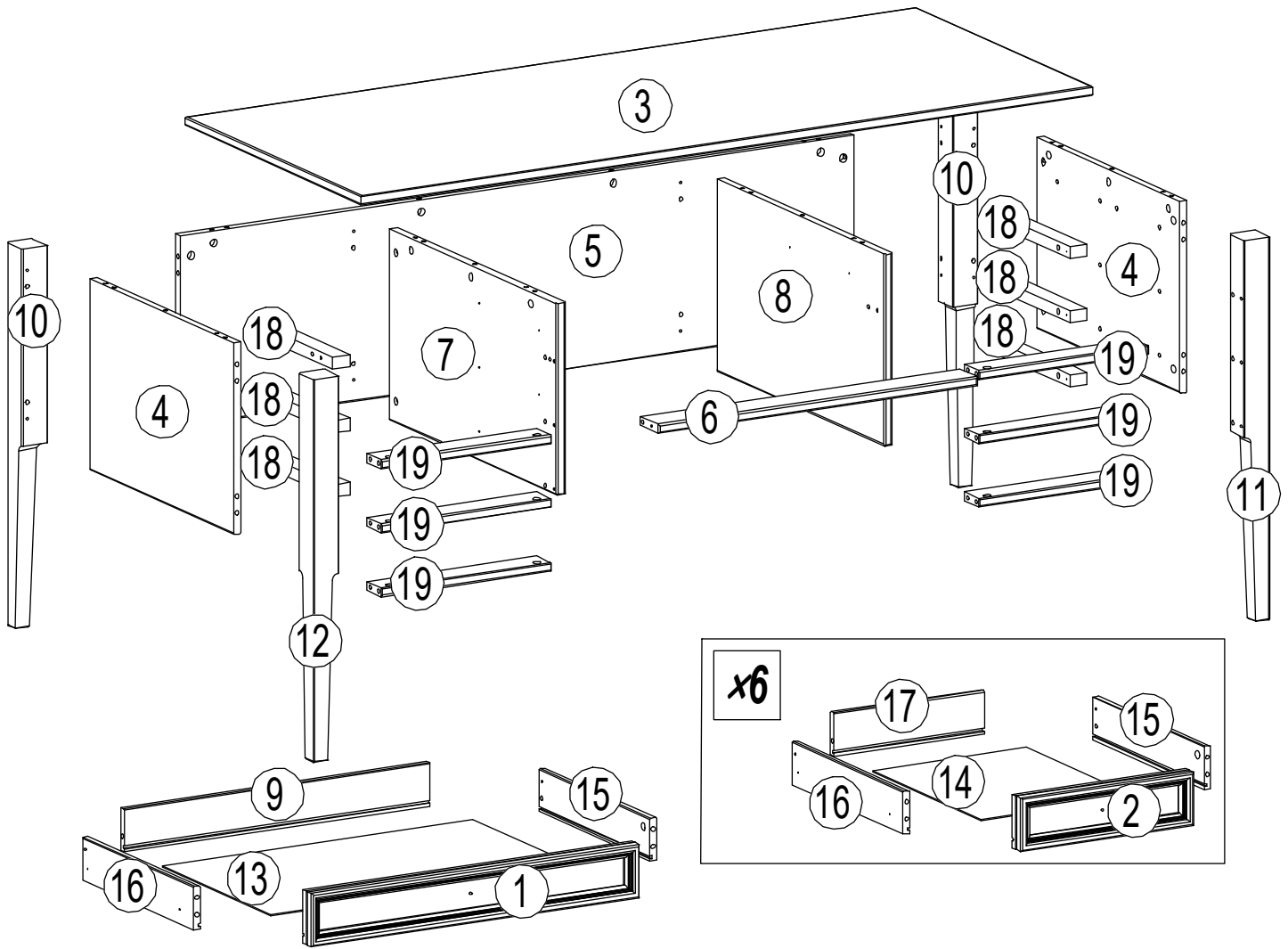
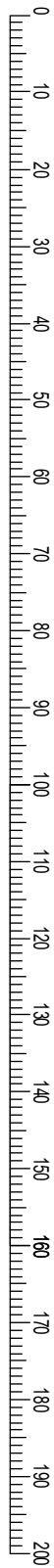


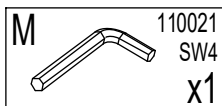
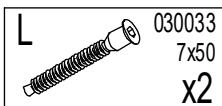
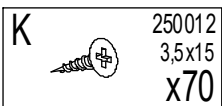
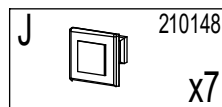
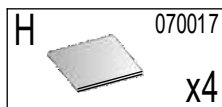
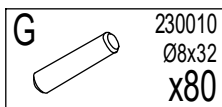
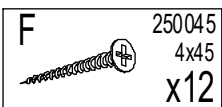
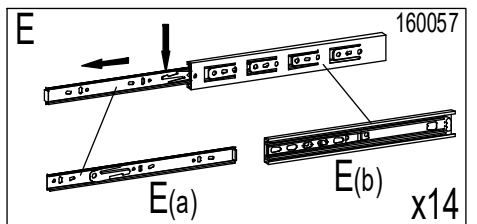
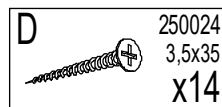
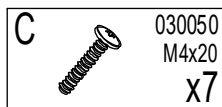
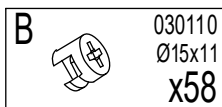
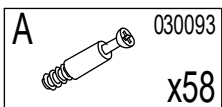
- | | | | |
|-----------|------------------------------------|-----------|--------------------------------|
| D | Montageanleitung | GB | Assembly instructions |
| FR | Notice de montage | IT | Istruzioni di montaggio |
| NL | Handlieding voor de montage | PL | Instrukcja montażu |
| CZ | Montážní návod | SK | Návod na montáž |
| HU | Szerelési útmutató | RO | Instrukțiuni de montaj |
| TR | Montaj talimatı | RU | Инструкция по монтажу |



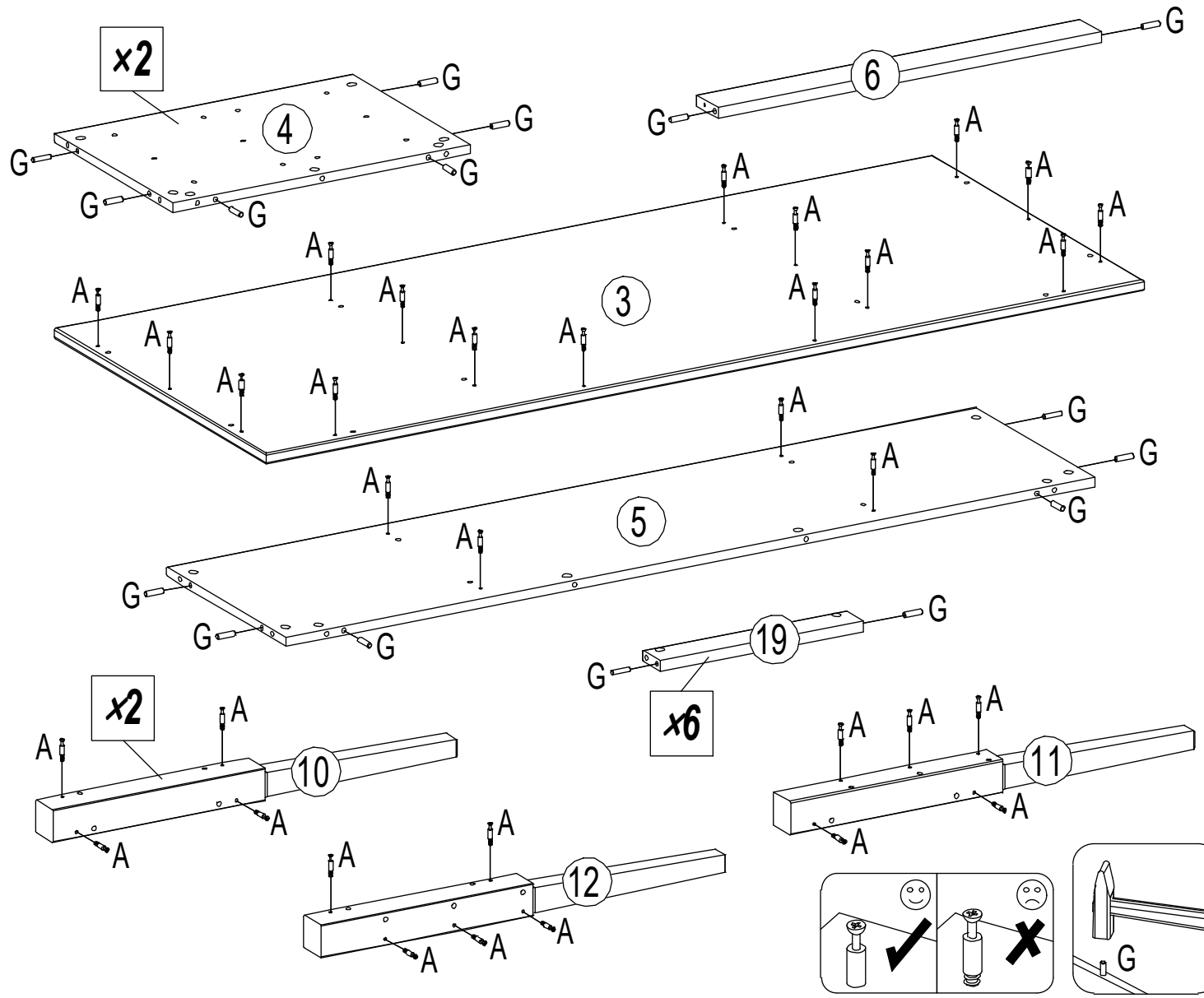
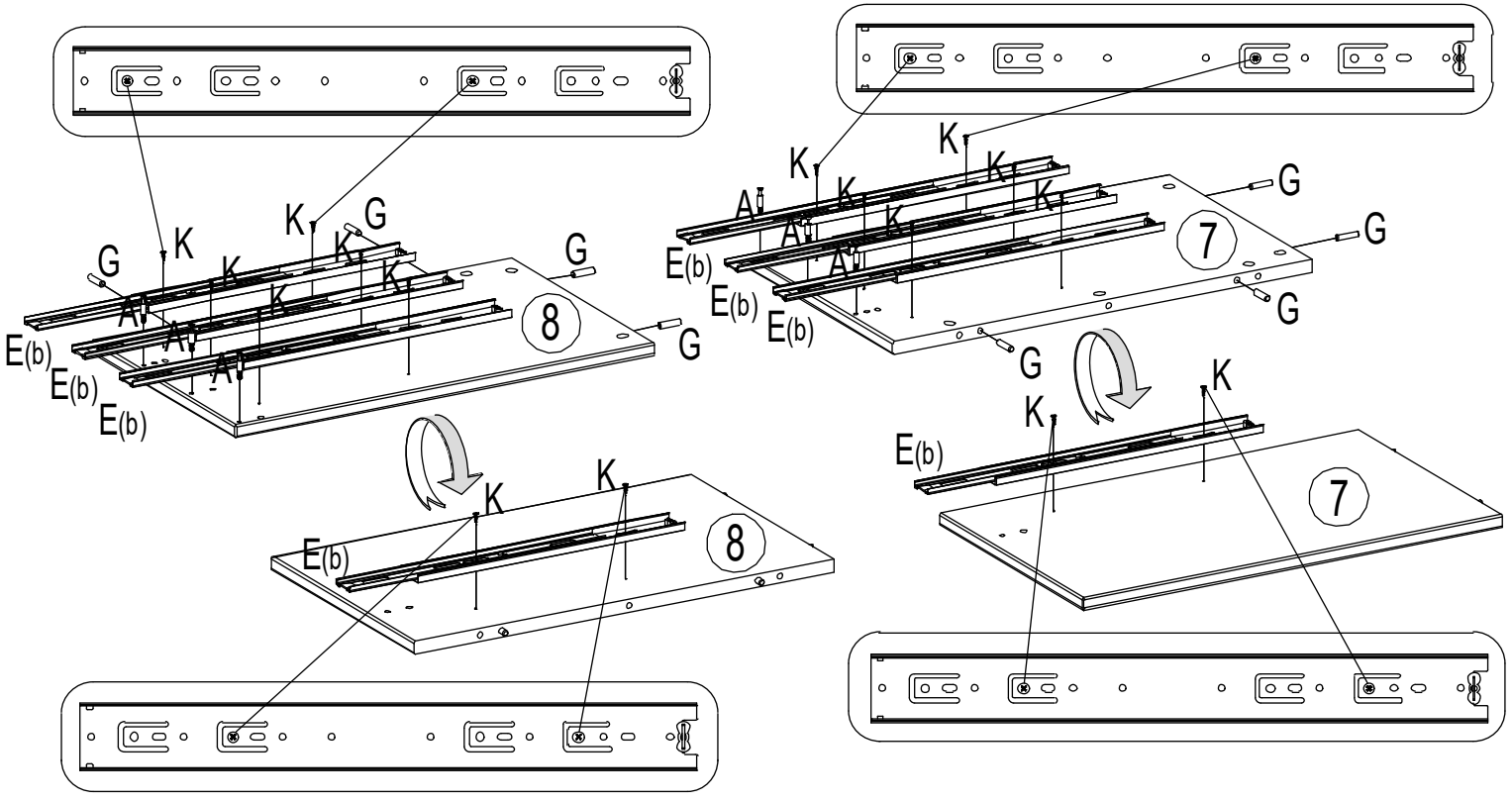
EAC



No	Size/MaB (mm)	Qty	✓	No	Size/MaB (mm)	Qty	✓
1	684x100x33	1		11	742x55x55	1	
2	360x100x33	6		12	742x55x55	1	
3	1582x660x18	1		13	645x392x3	1	
4	536x372x15	2		14	321x392x3	6	
5	1458x372x15	1		15	400x80x14	7	
6	690x70x18	1		16	400x80x14	7	
7	628x372x18	1		17	312x80x14	6	
8	628x372x18	1		18	312x37x24	6	
9	636x80x14	1		19	366x55x18	6	
10	742x55x55	2					



- 1
- A 030093 x44
- G 230010 Ø8x32 x40
- E(b) 160057 x8
- K 250012 3,5x15 x16



2 B 030110
Ø15x11
x8

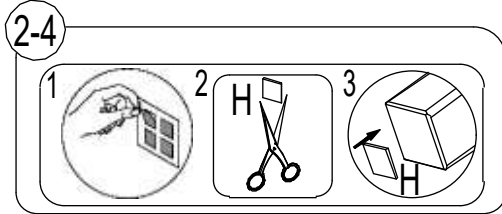
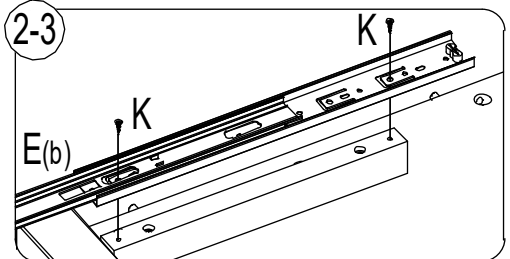
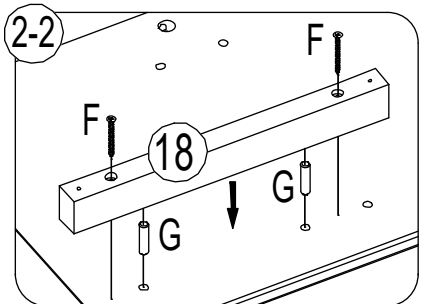
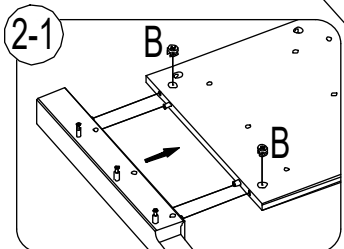
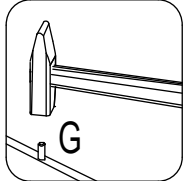
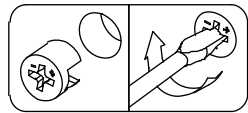
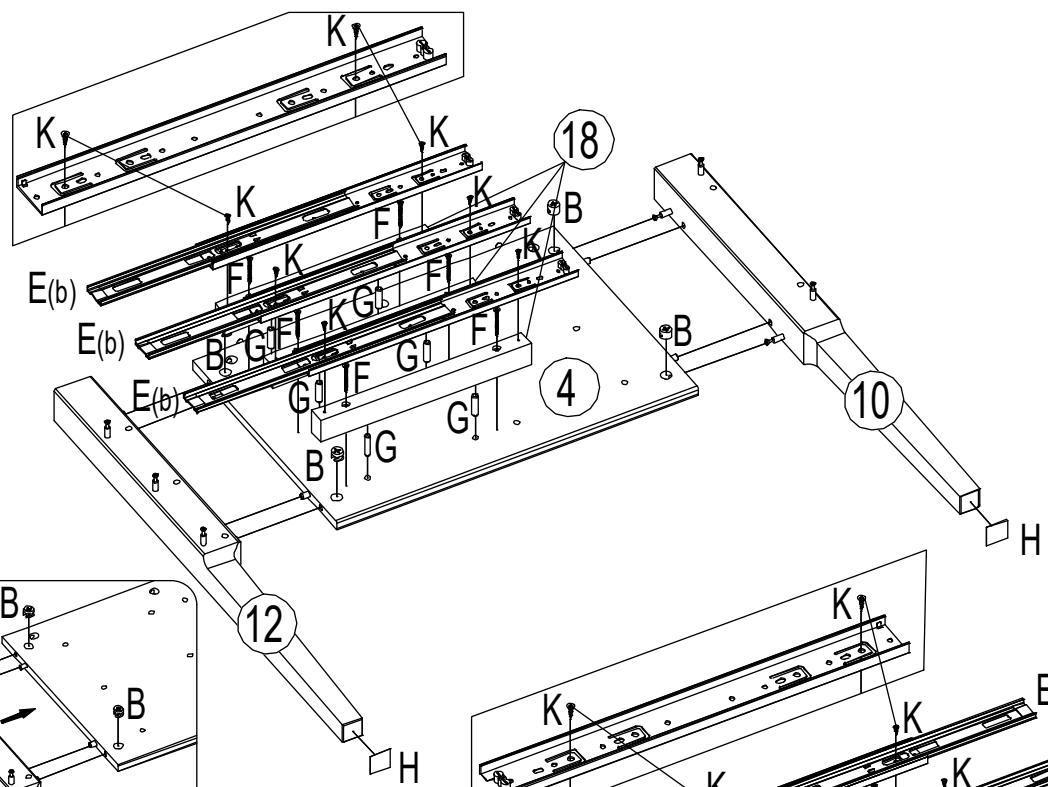
G 230010
Ø8x32
x12

H 070017
x4

E(b) 160057
x6

K 250012
3,5x15
x12

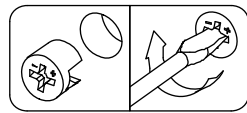
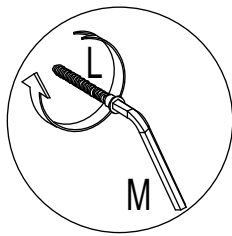
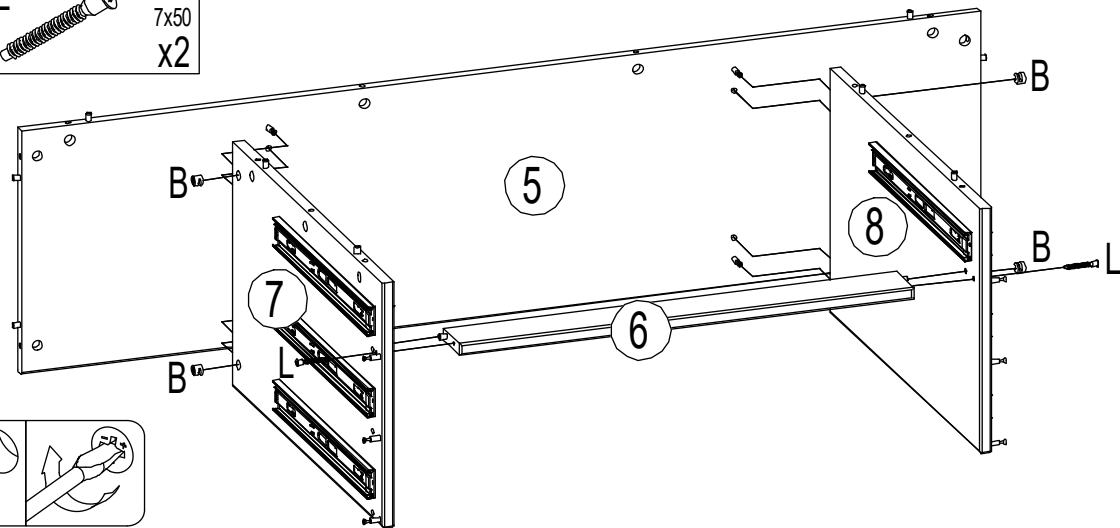
F 250045
4x45
x12



3 B 030110
Ø15x11
x4

L 030033
7x50
x2

M 110021
SW4
x1

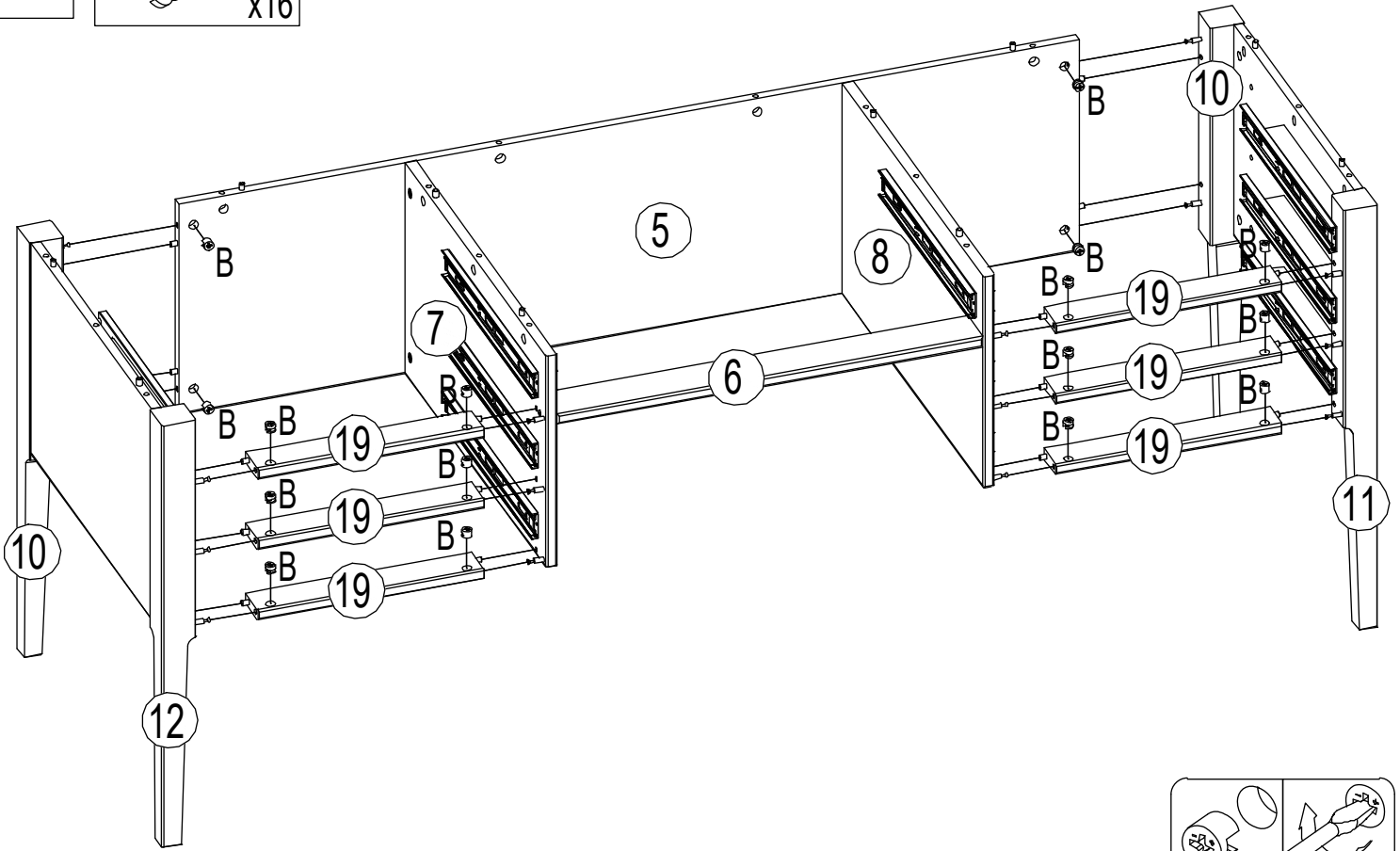


4

B



030110
Ø15x11
x16

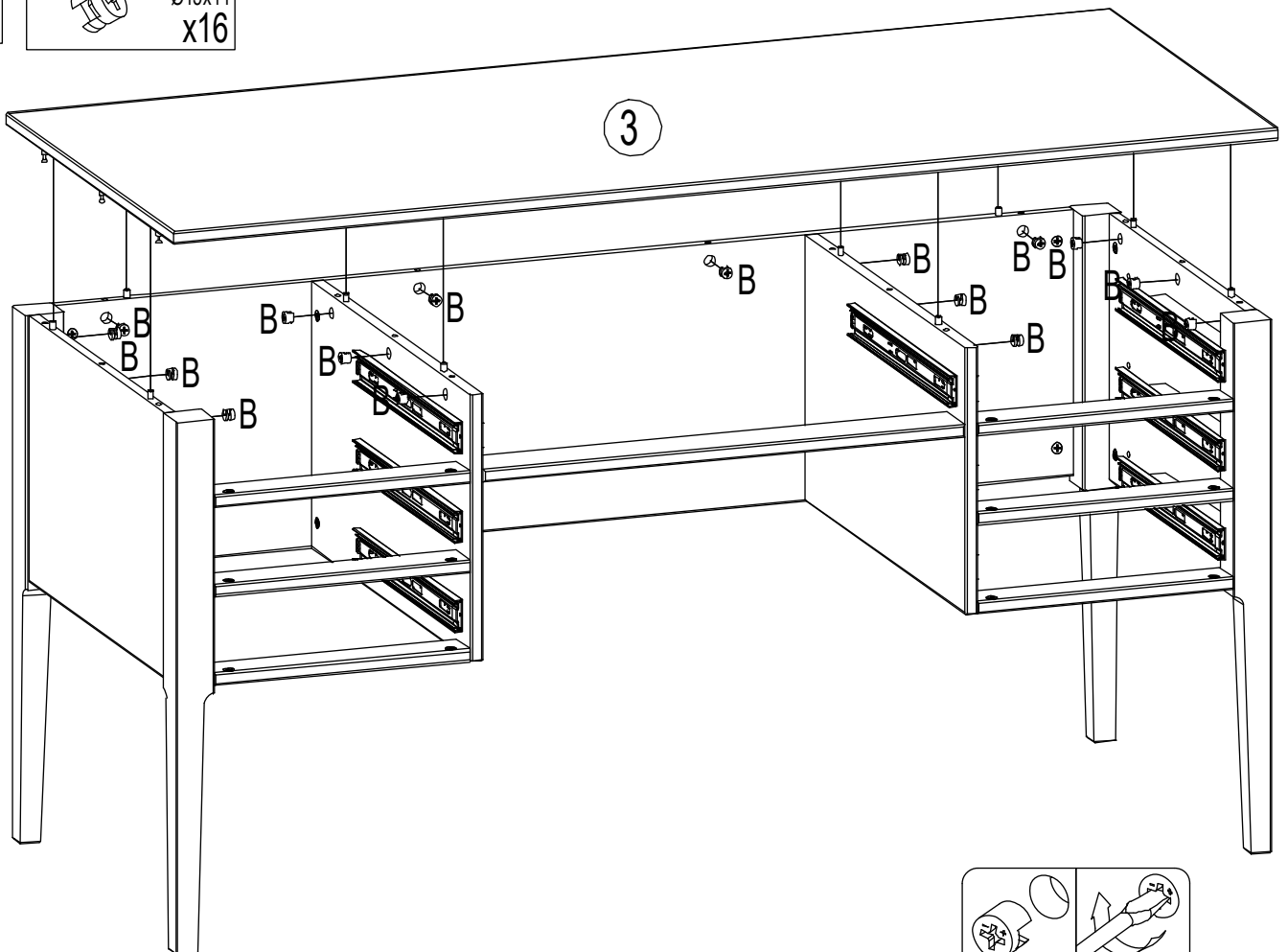


5

B

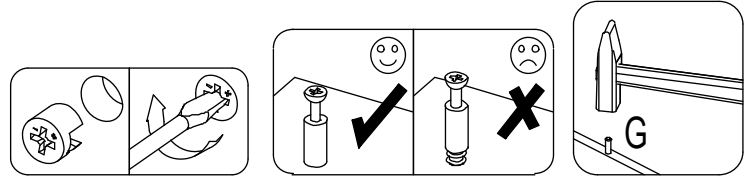
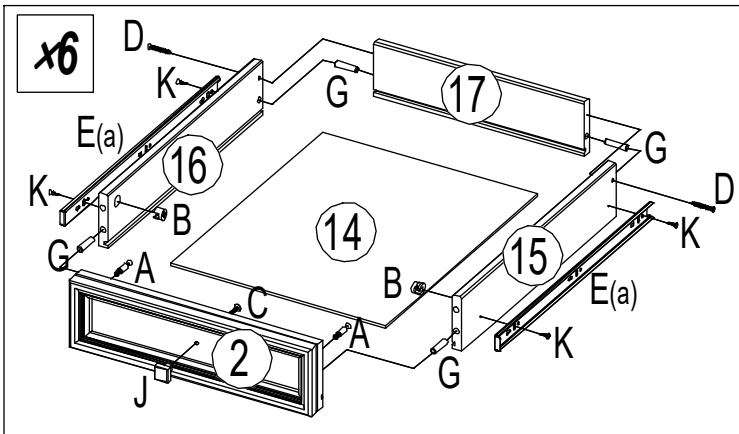
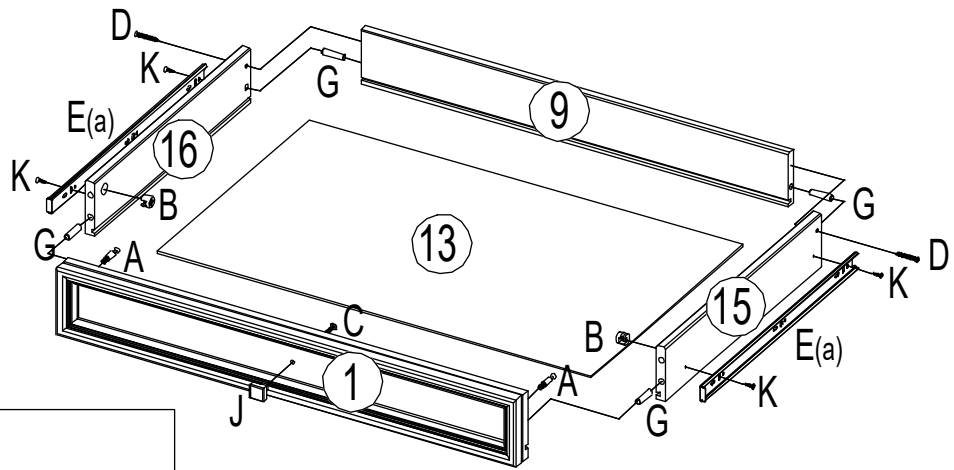


030110
Ø15x11
x16



- | | | | | | | | | | | | | | | | | | | |
|---|---|--------|-----|---|--------|-----|--------|--------|----|-------|--------|-----|--------|--------|-----|-------|--------|----|
| 6 | A | 030093 | x14 | B | 030110 | x14 | C | 030050 | x7 | D | 250024 | x14 | G | 230010 | x28 | J | 210148 | x7 |
| | | | | | | | Ø15x11 | | | M4x20 | | | 3,5x35 | | | Ø8x32 | | |

- | | | | | | |
|------|--------|-----|---|--------|-----|
| E(a) | 160057 | x14 | K | 250012 | x28 |
| | | | | | |



- | | | |
|---|---|--------|
| 7 | K | 250012 |
| | | 3,5x15 |
| | | x14 |

