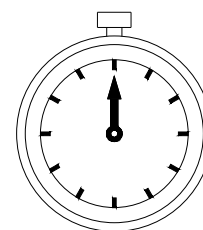
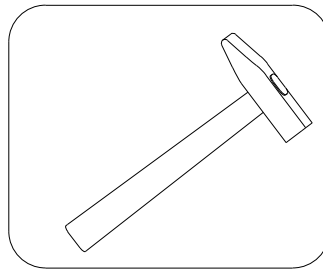
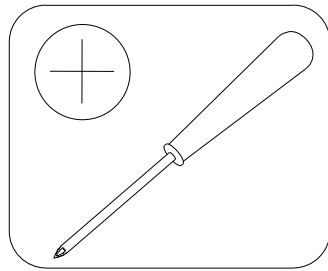
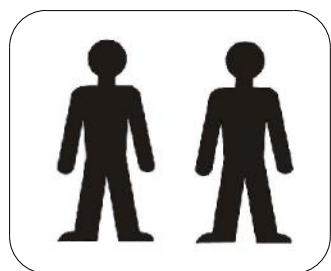
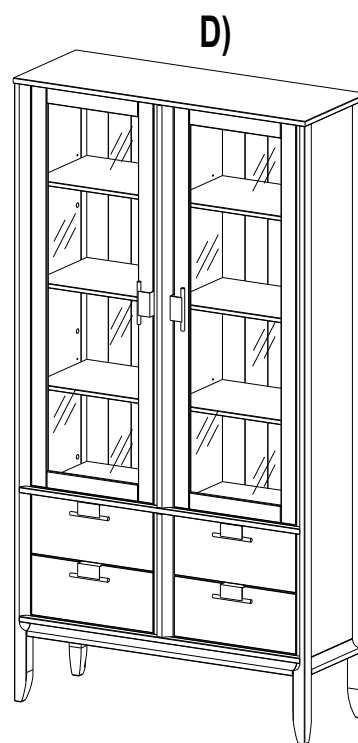
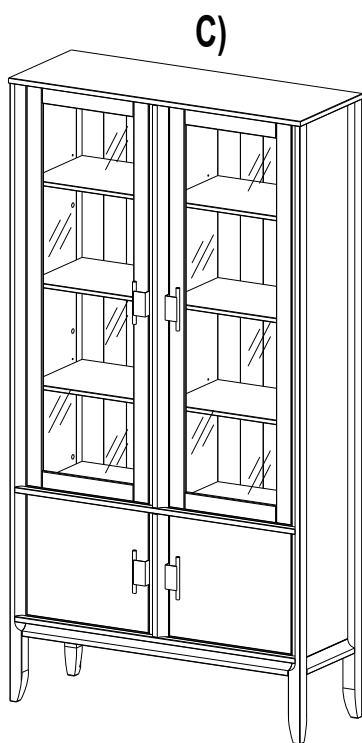
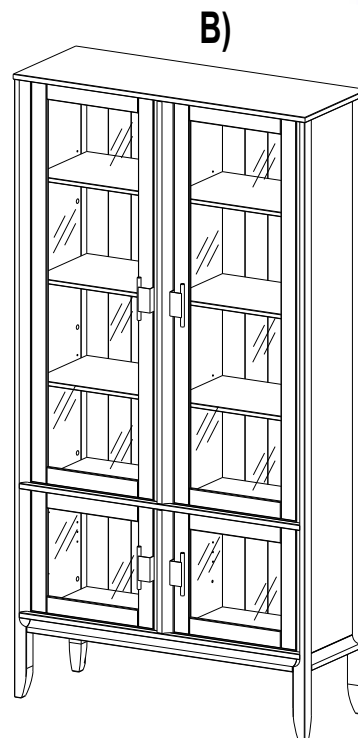
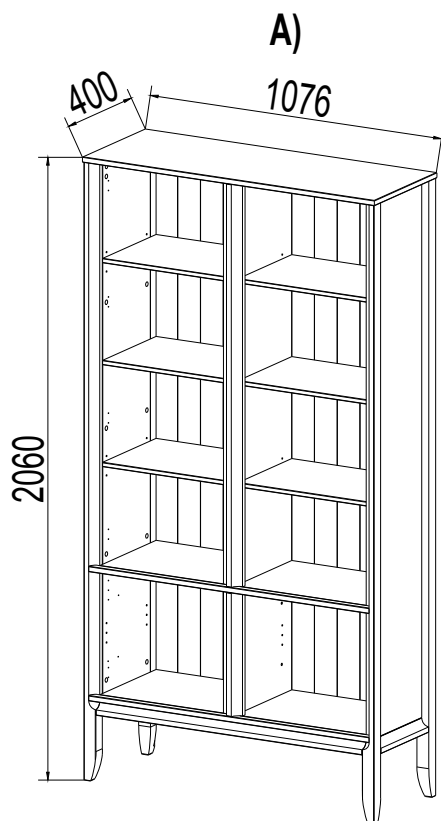


«SanRemi»

<https://sanremi-home.ru>

e-mail: [sanremi@list.ru](mailto:sanremi@list.ru)

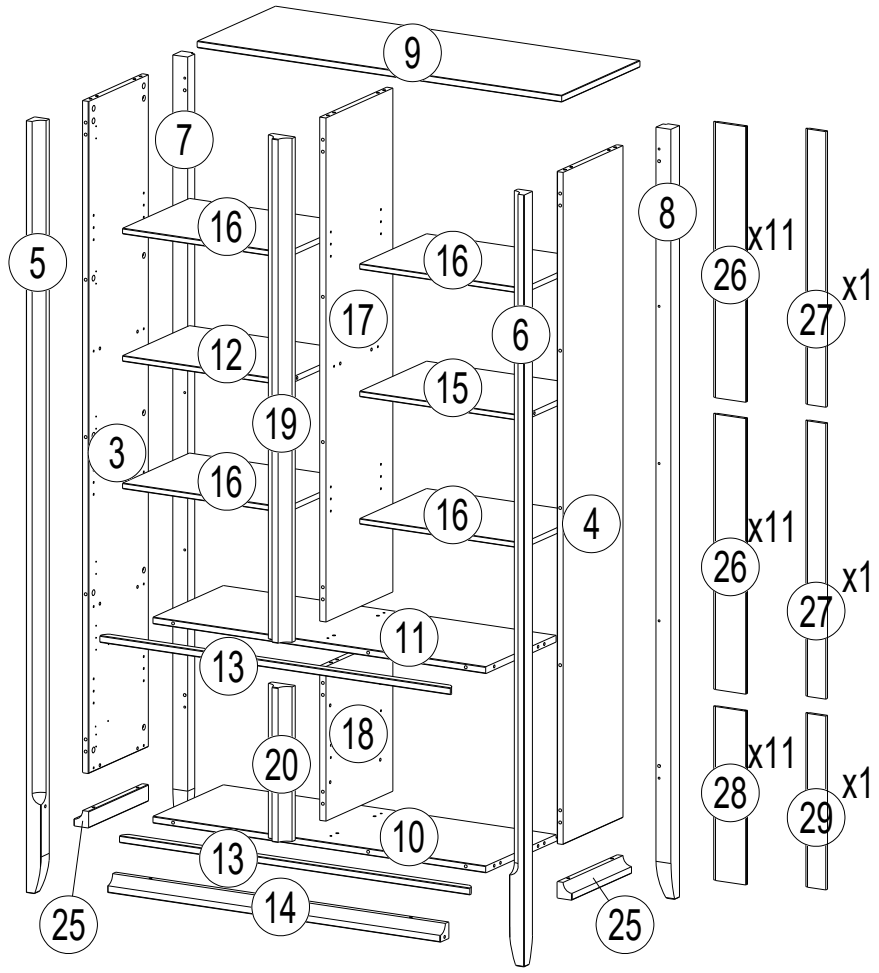
+7 (812) 920-36-23



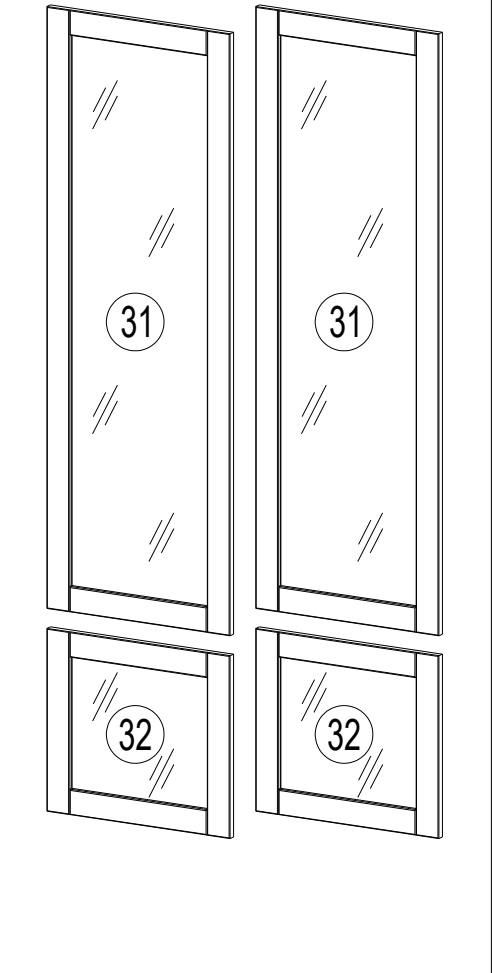
120 min

0  
10  
20  
30  
40  
50  
60  
70  
80  
90  
100  
110  
120  
130  
140  
150  
160  
170  
180

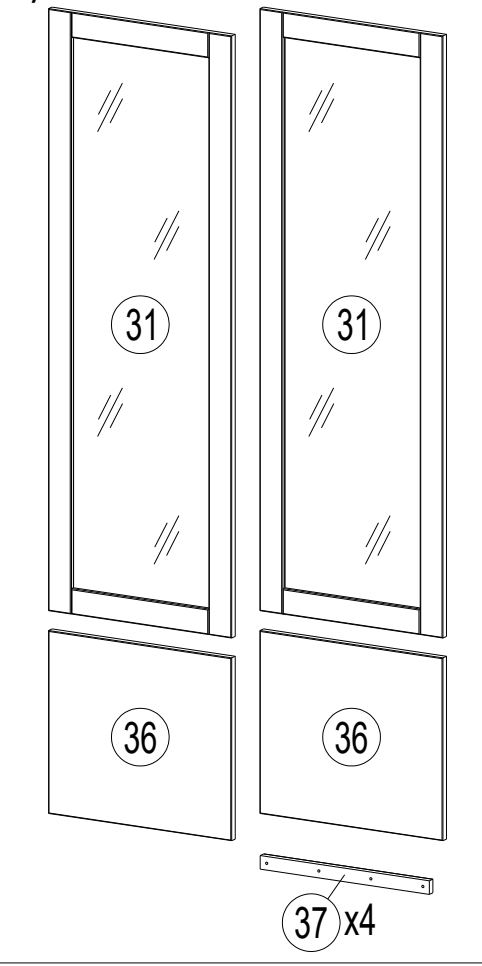
A)



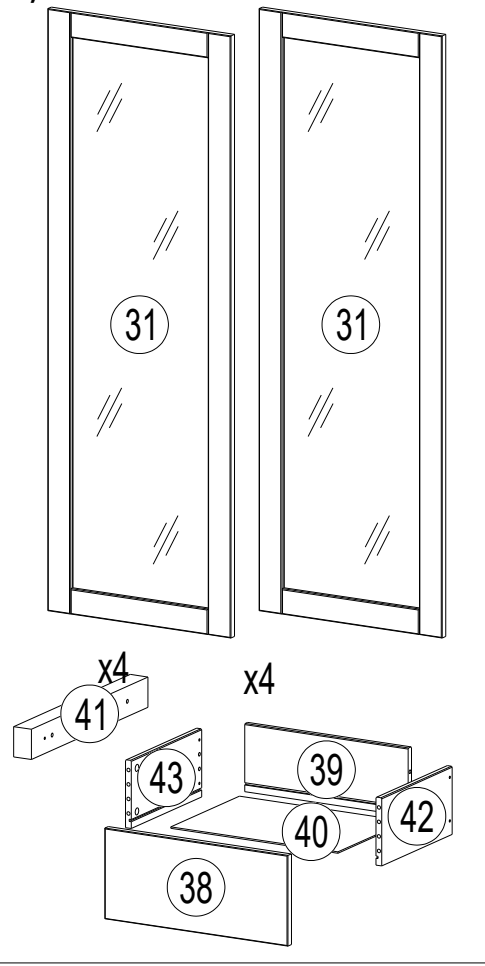
B)



C)



D)



### A)

<b>A</b> 030093 x65	<b>B</b> 030110 x65	<b>C</b> 230010 8x32 x42	<b>D</b> 030033 7x50 x4	<b>E</b> 110022 SW4 x1	<b>F</b> 190002 x16
<b>G</b> 220043 1,2x20 x4	<b>H</b> 070017 30x30 x4	<b>Q</b> 100077 100078 x38	<b>Z1</b> 090004 8x40 x2	<b>Z2</b> 180080 76x31x15 x2	<b>Z3</b> 250012 3,5x15 x2

### B) x 2

<b>I</b> a) b) 210141 x2	<b>J</b> 140007 x1	<b>K</b> 250012 3,5x15 x24	<b>M</b> b) a) 180123 x6	<b>Z4</b> 250044 4x40 x2
-----------------------------------	--------------------------	-------------------------------------	-----------------------------------	-----------------------------------

### C) x 2

<b>I</b> a) b) 210141 x2	<b>J</b> 140007 x1	<b>K</b> 250012 3,5x15 x24	<b>L</b> 250021 3,5x30 x8	<b>M</b> b) a) 180123 x6
-----------------------------------	--------------------------	-------------------------------------	------------------------------------	-----------------------------------

### D) x 2

<b>A</b> 030093 x8	<b>B</b> 030110 x8	<b>C</b> 230010 8x32 x20	<b>I</b> a) b) 210141 x3	<b>K</b> 250012 3,5x15 x40	<b>M</b> b) a) 180123 x4
<b>N</b> 250024 3,5x35 x8	<b>O</b> 250044 4x40 x4	<b>P</b> P(a) P(b) 160064 x4			

### A)

No	Size/MaB (mm)	Qty	✓	No	Size/MaB (mm)	Qty	✓
3	1778x306x18	1		15	482x342x15	1	
4	1778x306x18	1		16	482x342x15	4	
5	2042x44x44	1		17	1333x342x18	1	
6	2042x44x44	1		18	409x342x18	1	
7	2042x44x44	1		19	1333x70x44	1	
8	2042x44x44	1		20	409x70x44	1	
9	1076x400x18	1		25	306x44x44	2	
10	982x368x18	1		26	675x89x8	22	
11	982x360x18	1		27	675x78x8	2	
12	482x342x15	1		28	426x89x8	11	
13	1034x26x18	2		29	426x78x8	1	
14	982x44x44	1					

### B) x 2

No	Size/MaB (mm)	Qty	✓	No	Size/MaB (mm)	Qty	✓
31	1327x450x18	1		32	403x450x18	1	

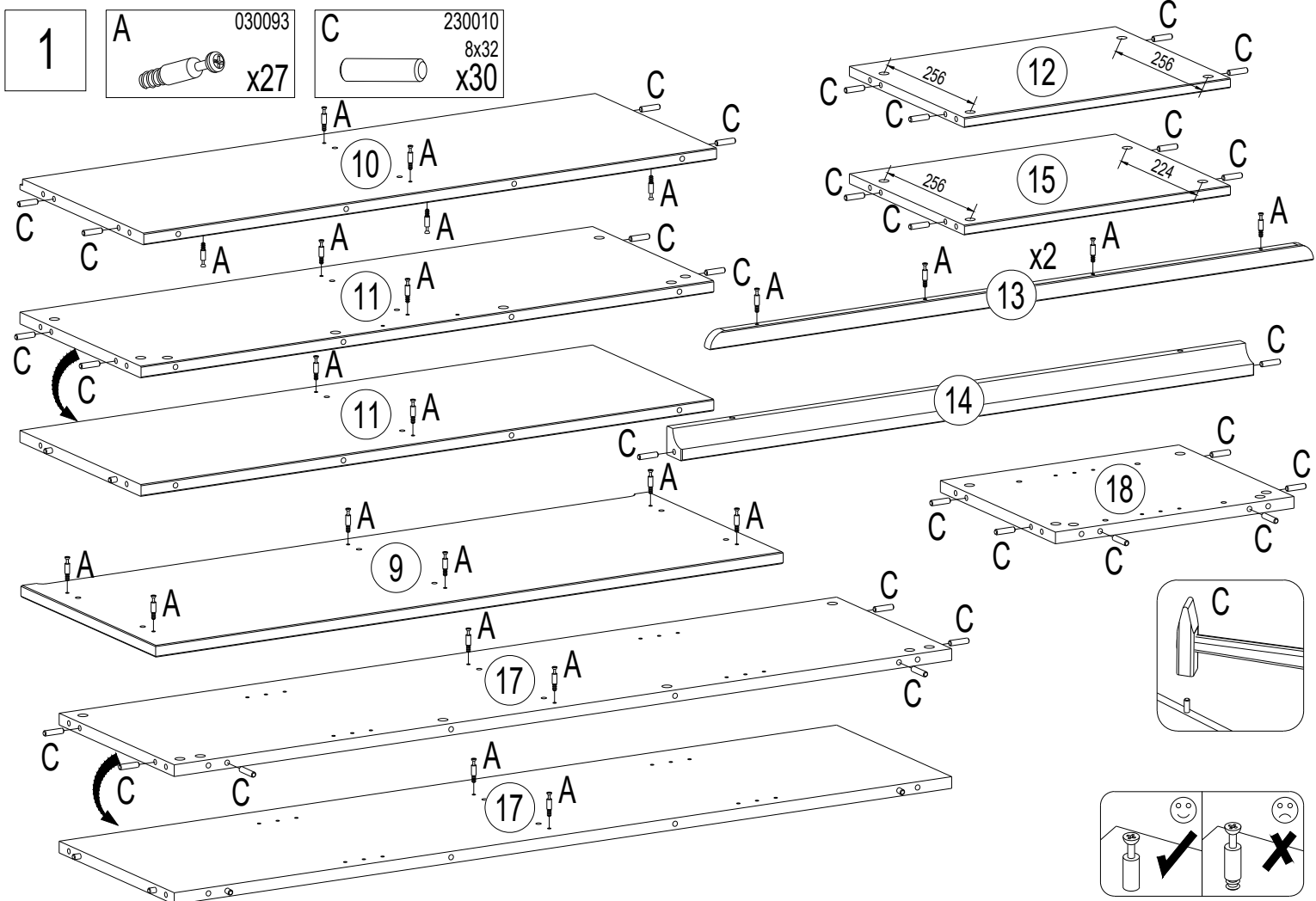
### C) x 2

No	Size/MaB (mm)	Qty	✓	No	Size/MaB (mm)	Qty	✓
31	1327x450x18	1		37	416x30x18	2	
36	403x450x18	1					

### D) x 2

No	Size/MaB (mm)	Qty	✓	No	Size/MaB (mm)	Qty	✓
31	1327x450x18	1		41	298x40x26	2	
38	450x200x18	2		42	300x150x14	2	
39	402x150x14	2		43	300x150x14	2	
40	411x292x3	2					

### A)

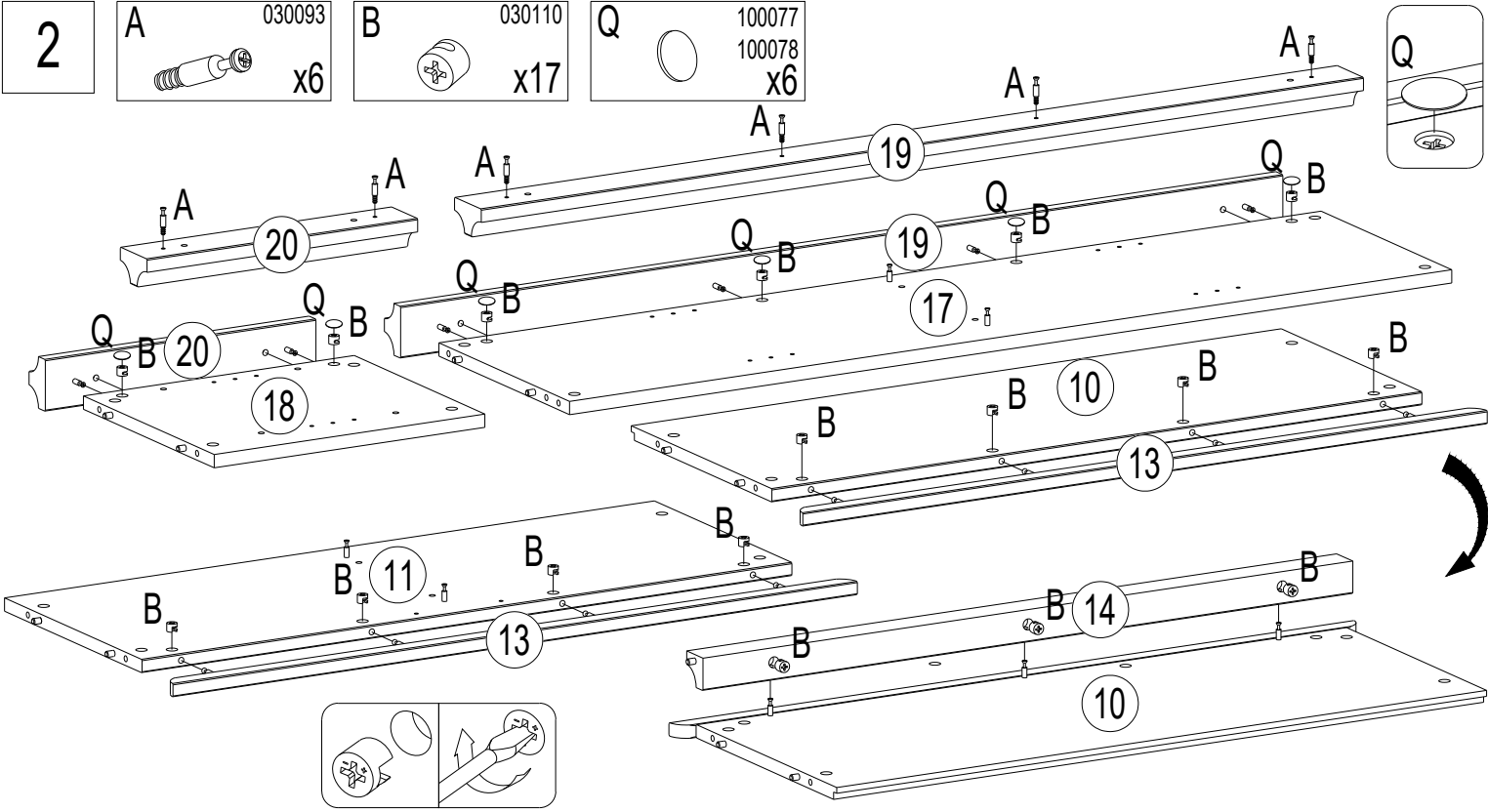


2

A 030093 x6

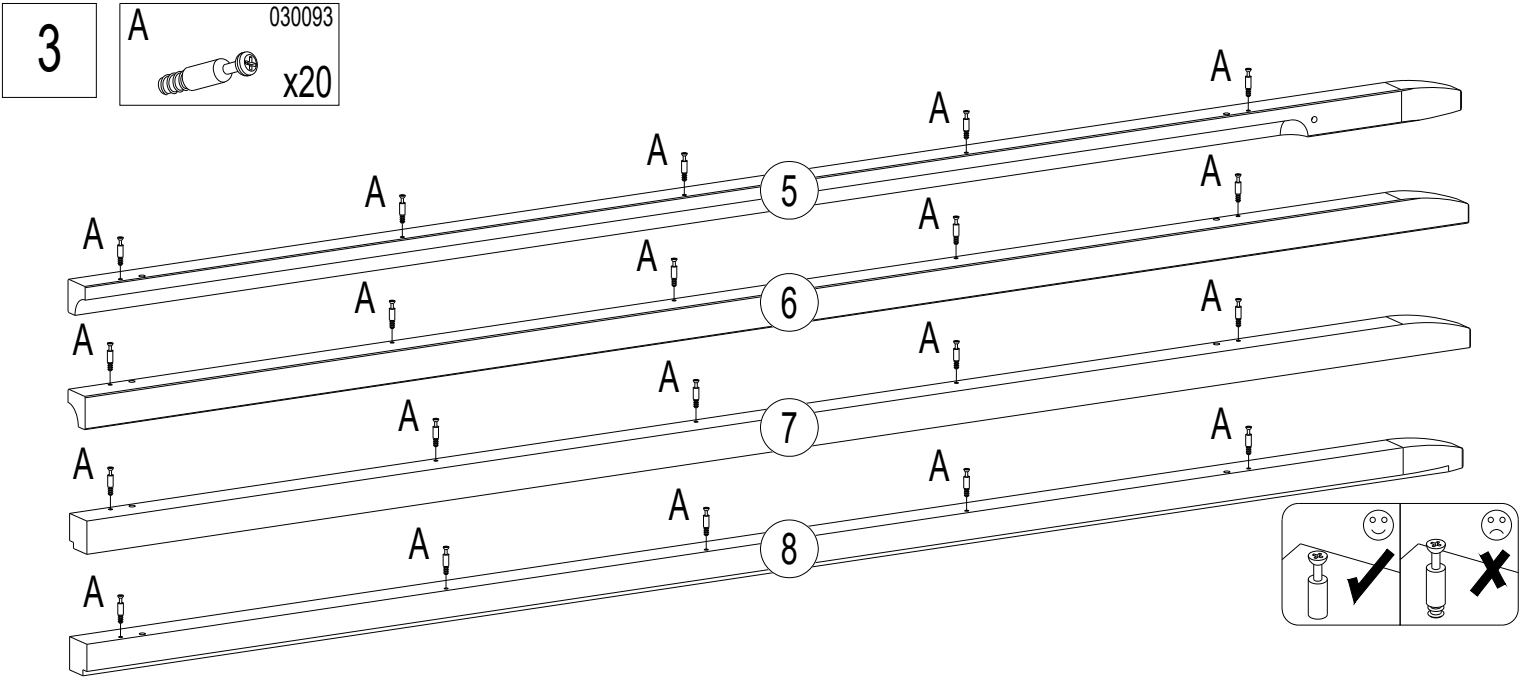
B 030110 x17

Q 100077 100078 x6



3

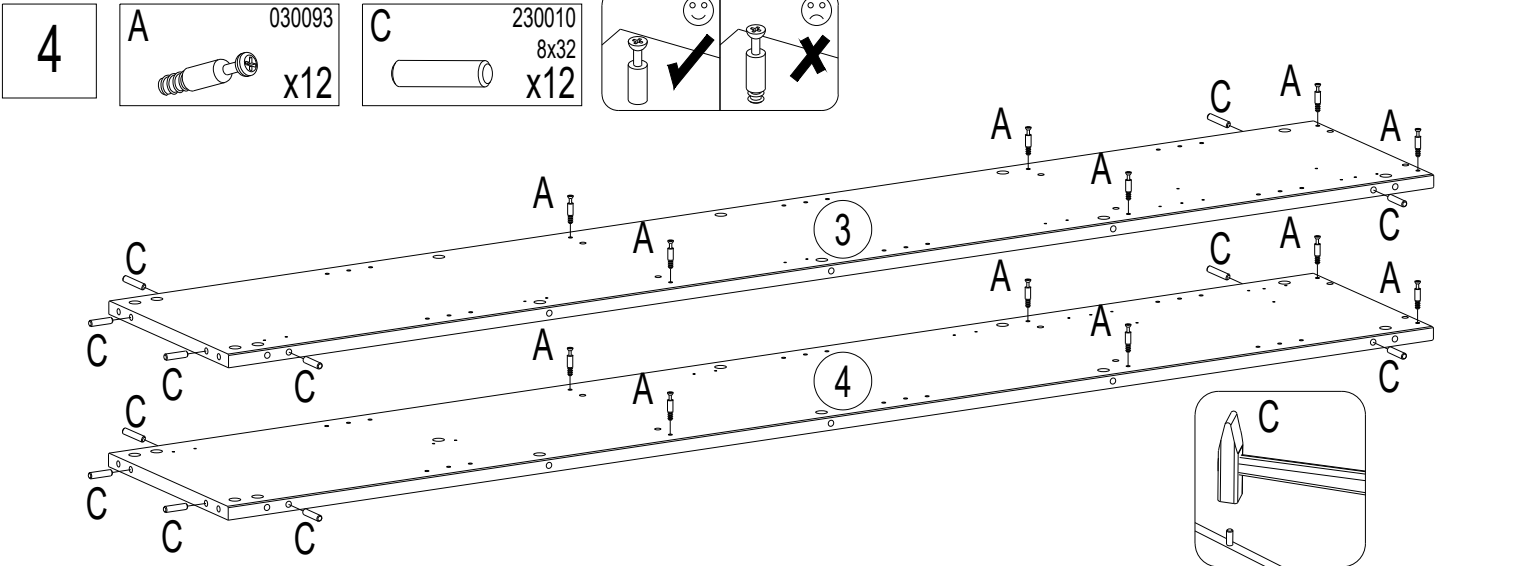
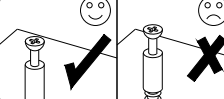
A 030093 x20



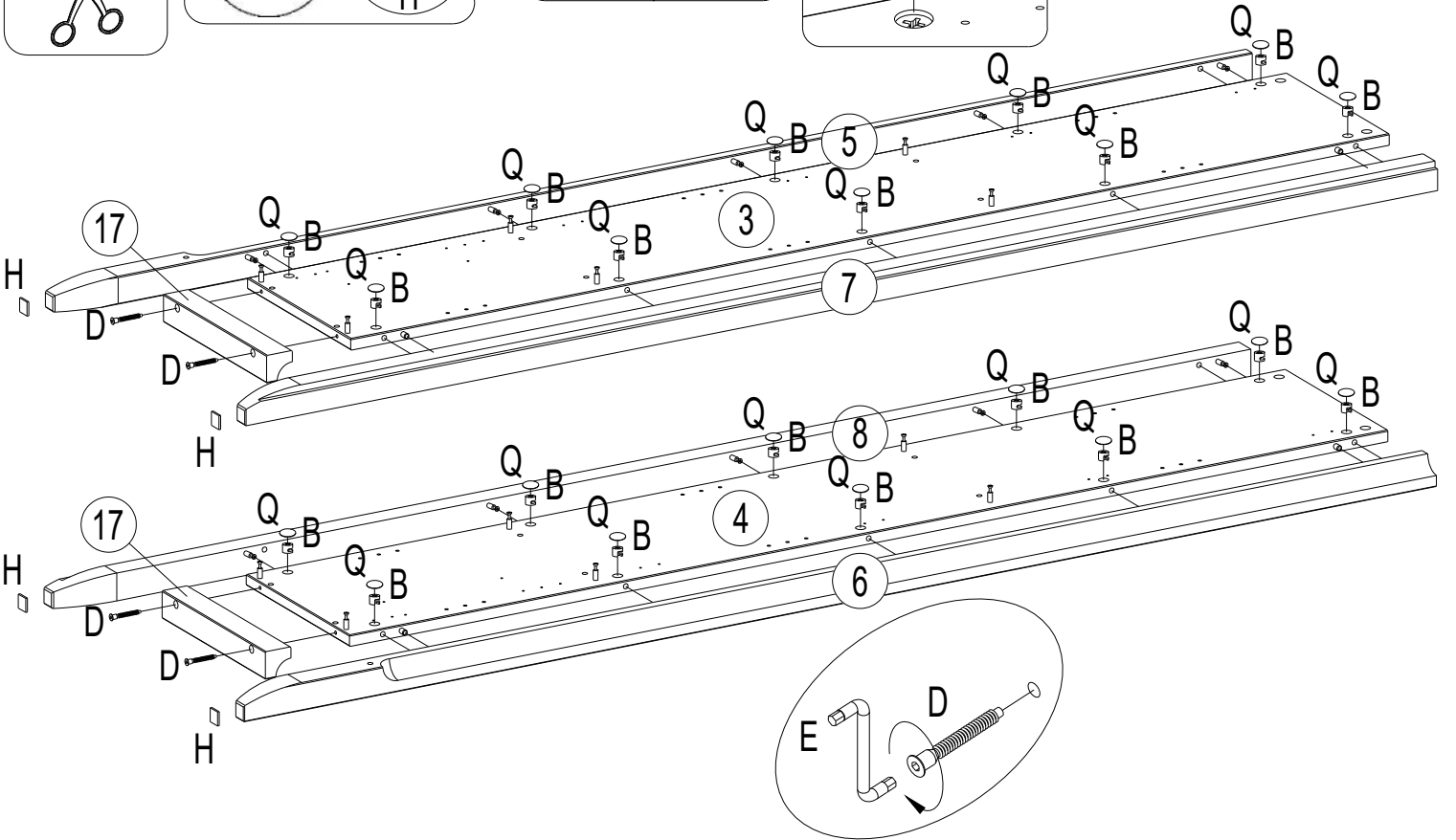
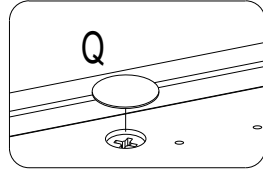
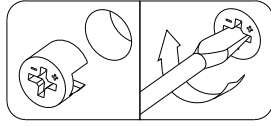
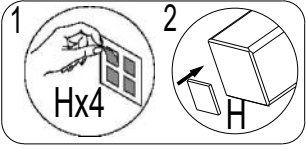
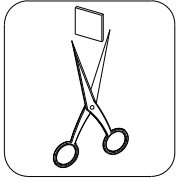
4

A 030093 x12

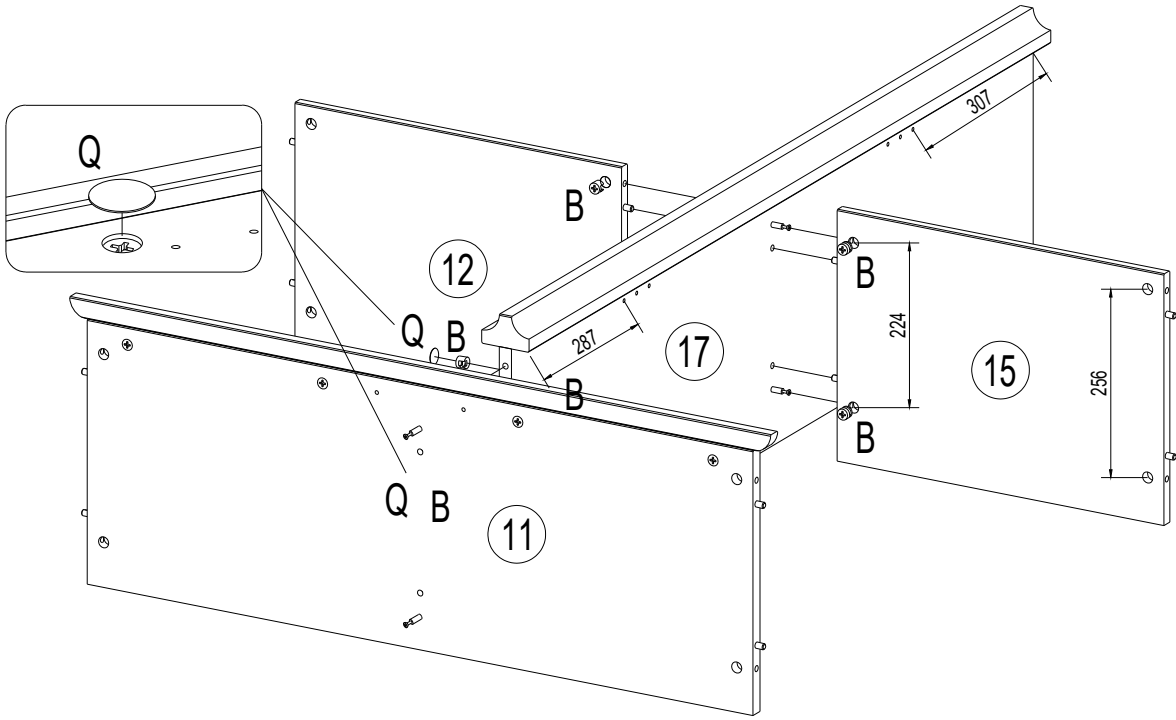
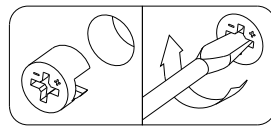
C 230010 8x32 x12



- |          |                        |                               |                              |                                |                                  |
|----------|------------------------|-------------------------------|------------------------------|--------------------------------|----------------------------------|
| <b>5</b> | <b>B</b> 030110<br>x20 | <b>D</b> 030033<br>7x50<br>x4 | <b>E</b> 110022<br>SW4<br>x1 | <b>H</b> 070017<br>30x30<br>x4 | <b>Q</b> 100077<br>100078<br>x20 |
|----------|------------------------|-------------------------------|------------------------------|--------------------------------|----------------------------------|



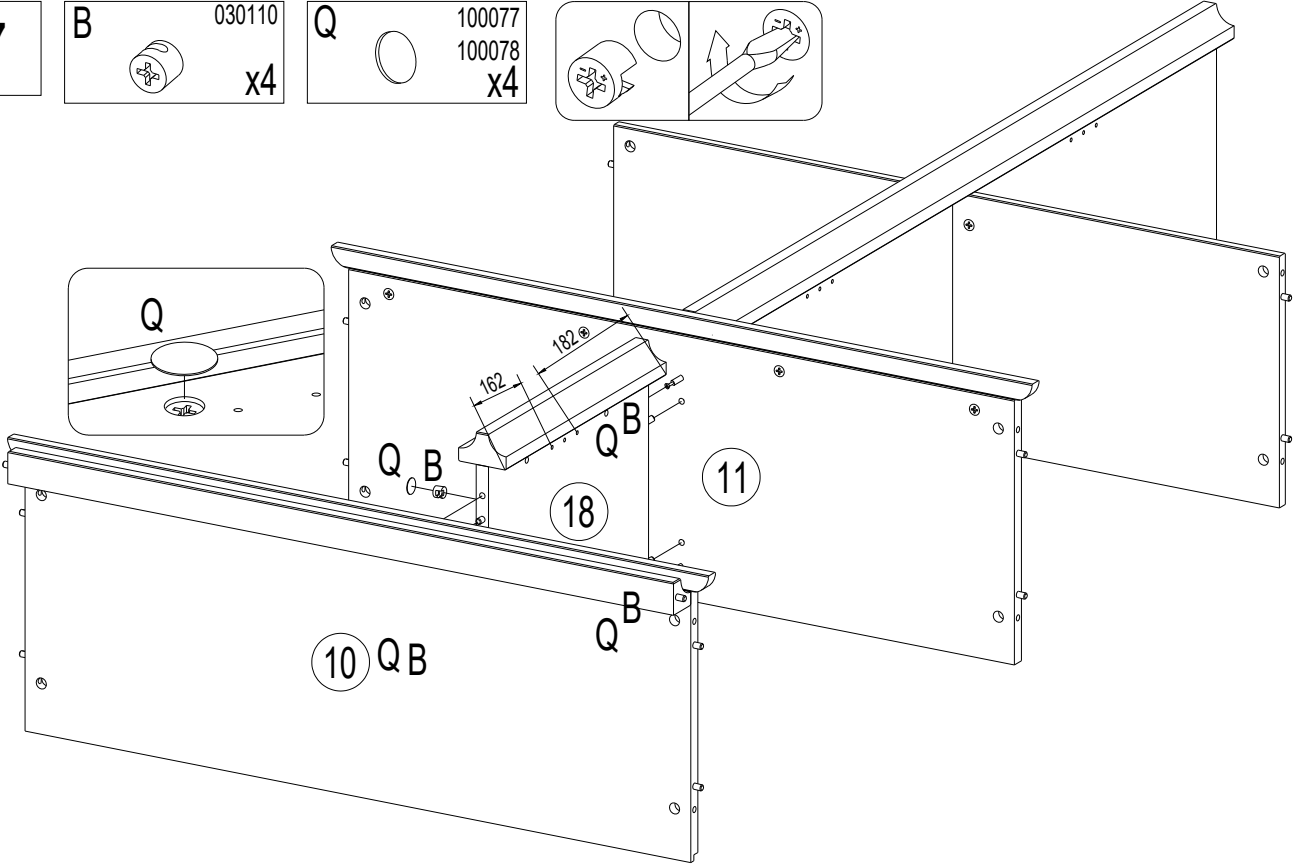
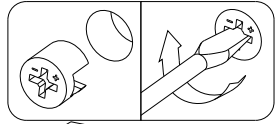
- |          |                       |                                 |
|----------|-----------------------|---------------------------------|
| <b>6</b> | <b>B</b> 030110<br>x6 | <b>Q</b> 100077<br>100078<br>x2 |
|----------|-----------------------|---------------------------------|



7

B 030110 x4

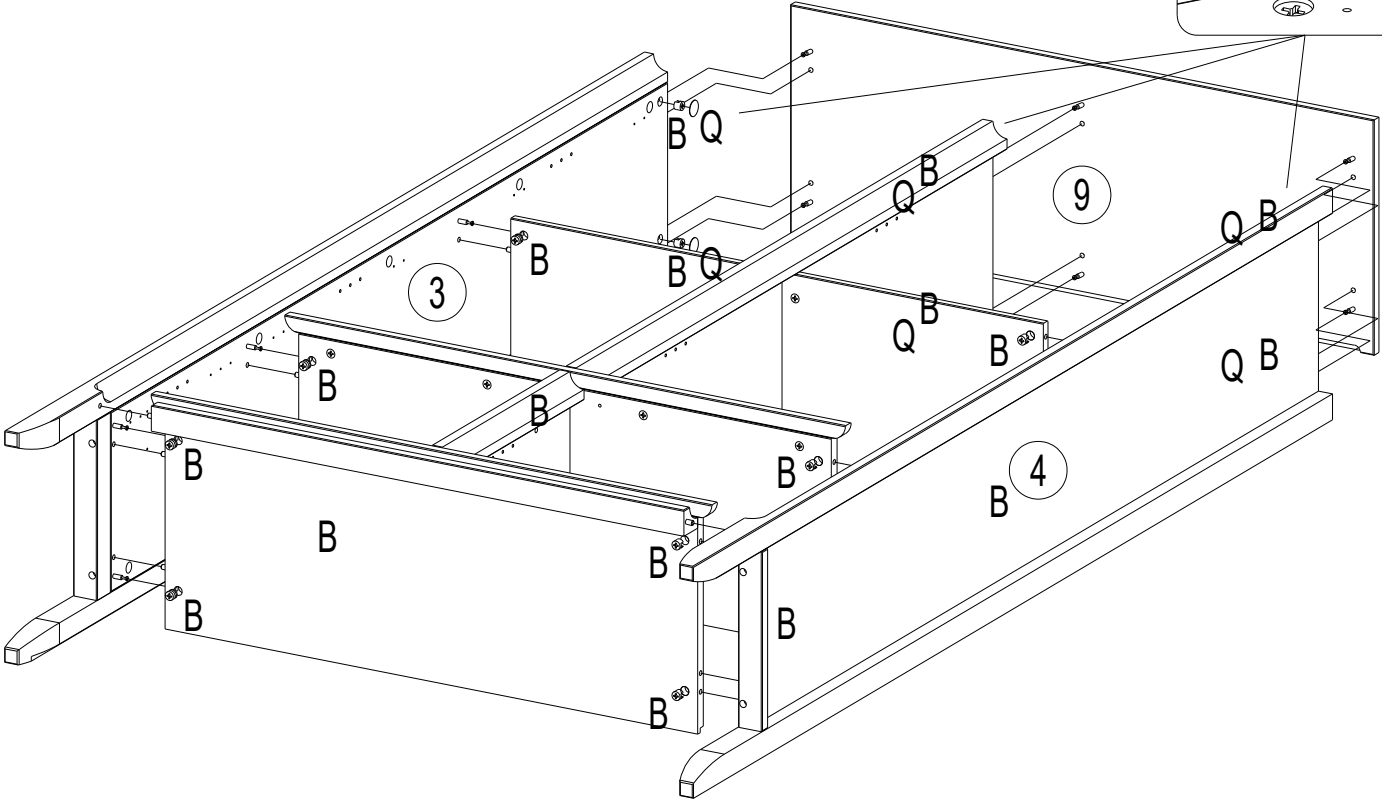
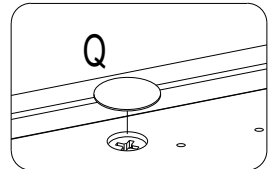
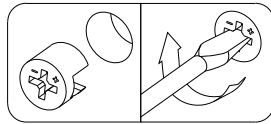
Q 100077 100078 x4



8

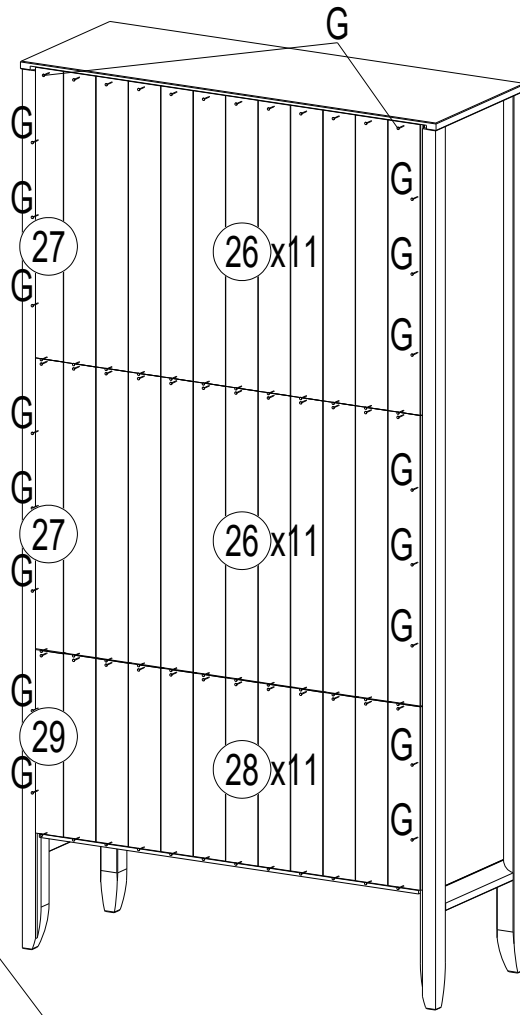
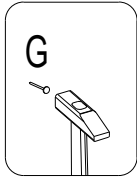
B 030110 x18

Q 100077 100078 x6

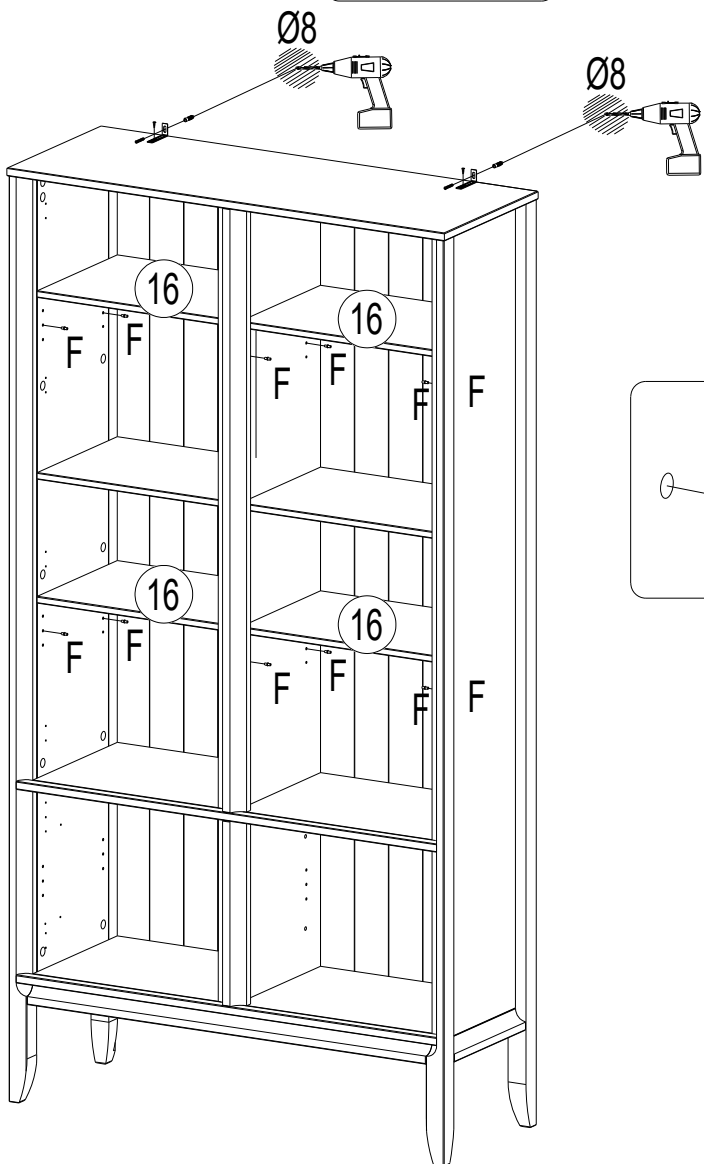
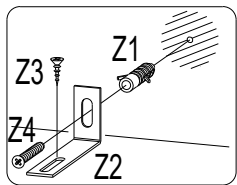


9

G 220043  
1,2x20 x4



10



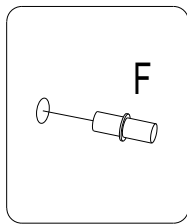
F 190002  
x16

Z1 090004  
8x40 x2

Z2 180080  
76x31x15 x2

Z3 250012  
3,5x15 x2

Z4 250044  
4x40 x2







# B)

1


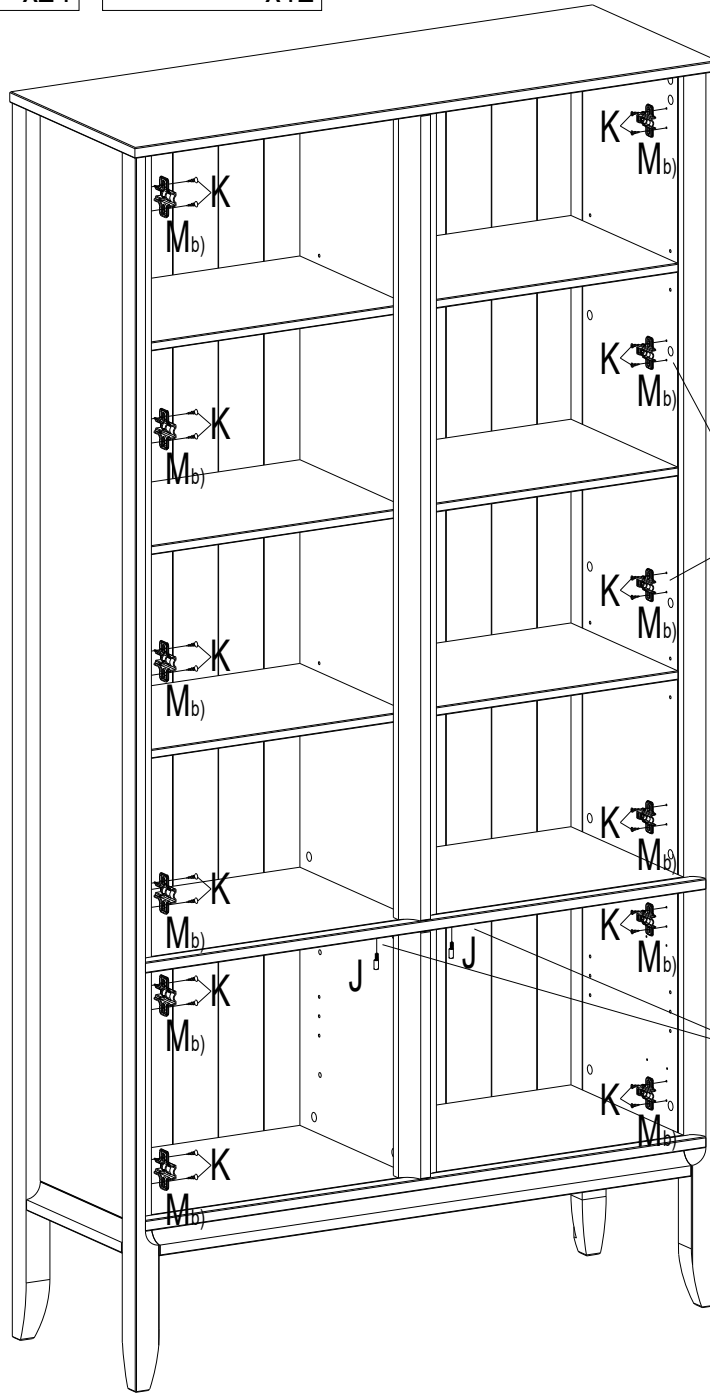
J 140007  
x2



K 250012  
3,5x15 x24

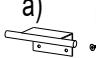


M 180123  
x12





2

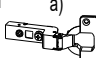
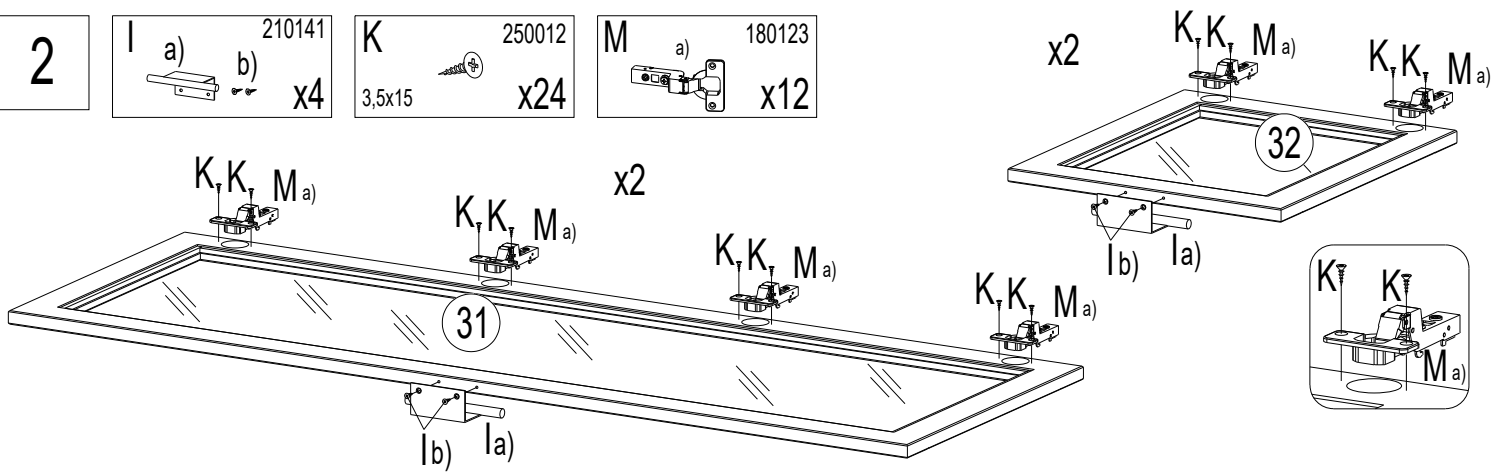
I a) b) 210141  
x4

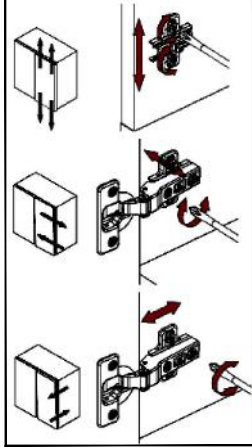
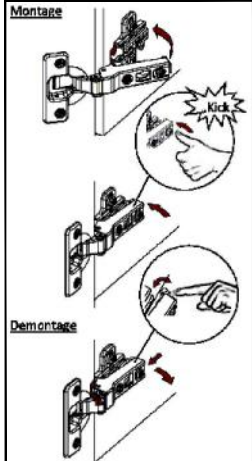
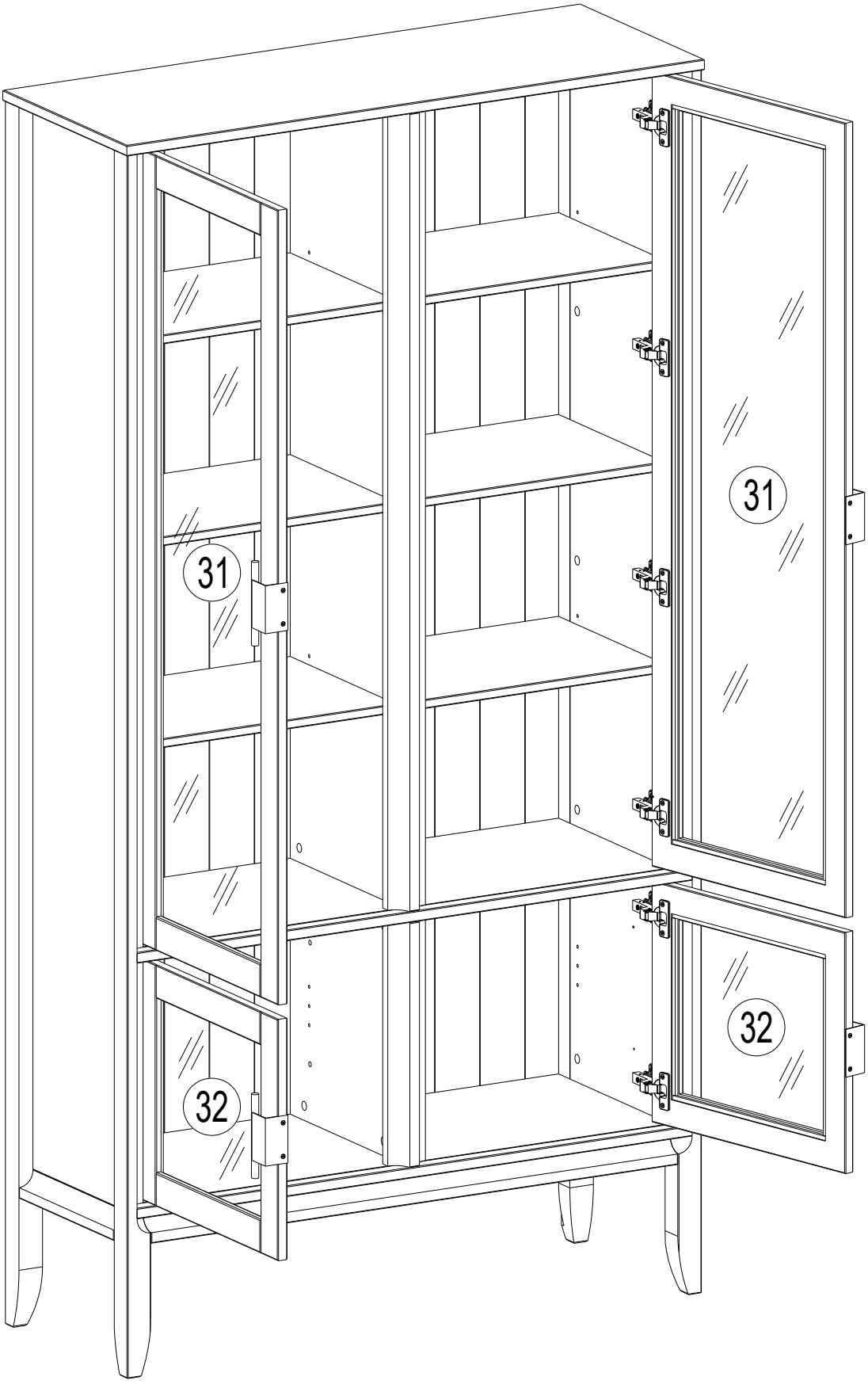


K 250012  
3,5x15 x24



M a) 180123  
x12



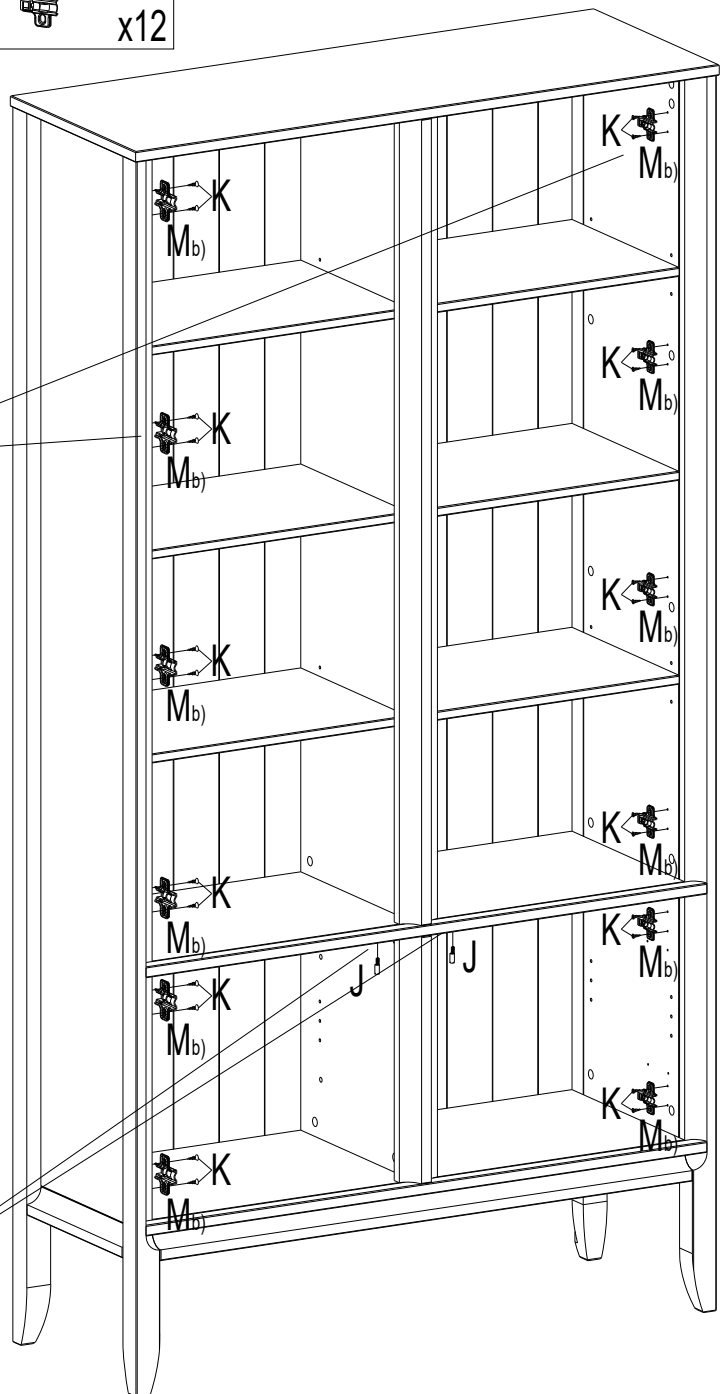
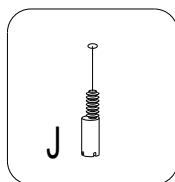
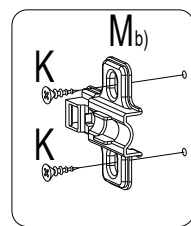
# C)

1

J 140007 x2

K 250012 3,5x15 x24

M 180123 x12



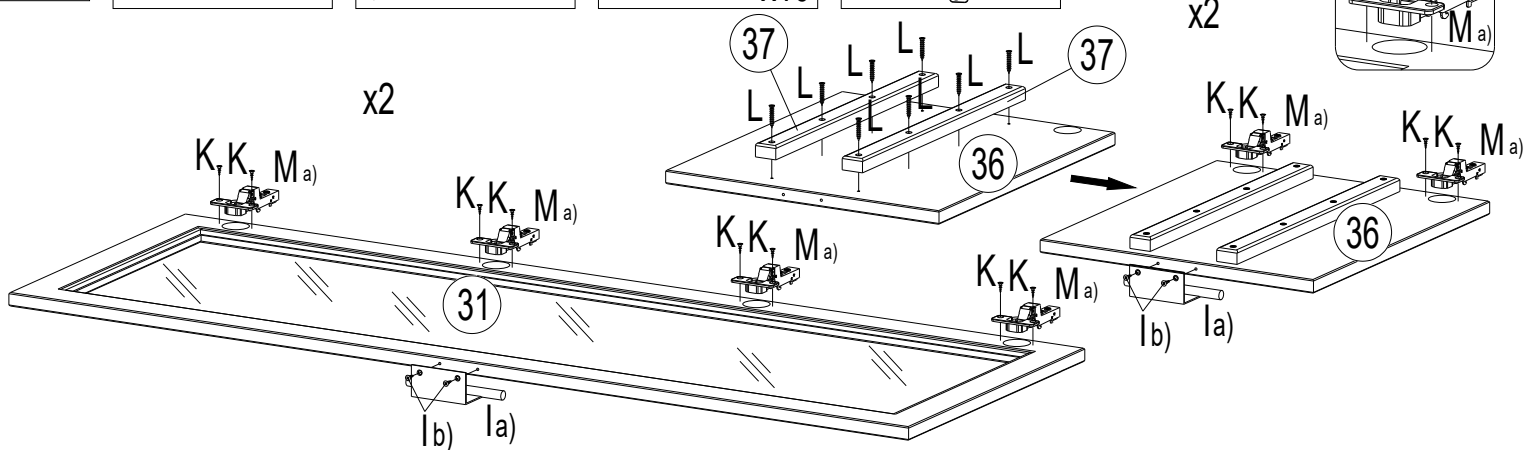
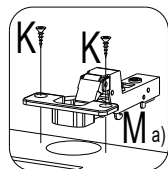
2

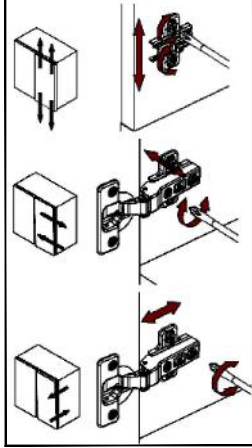
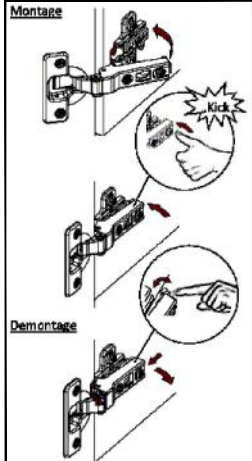
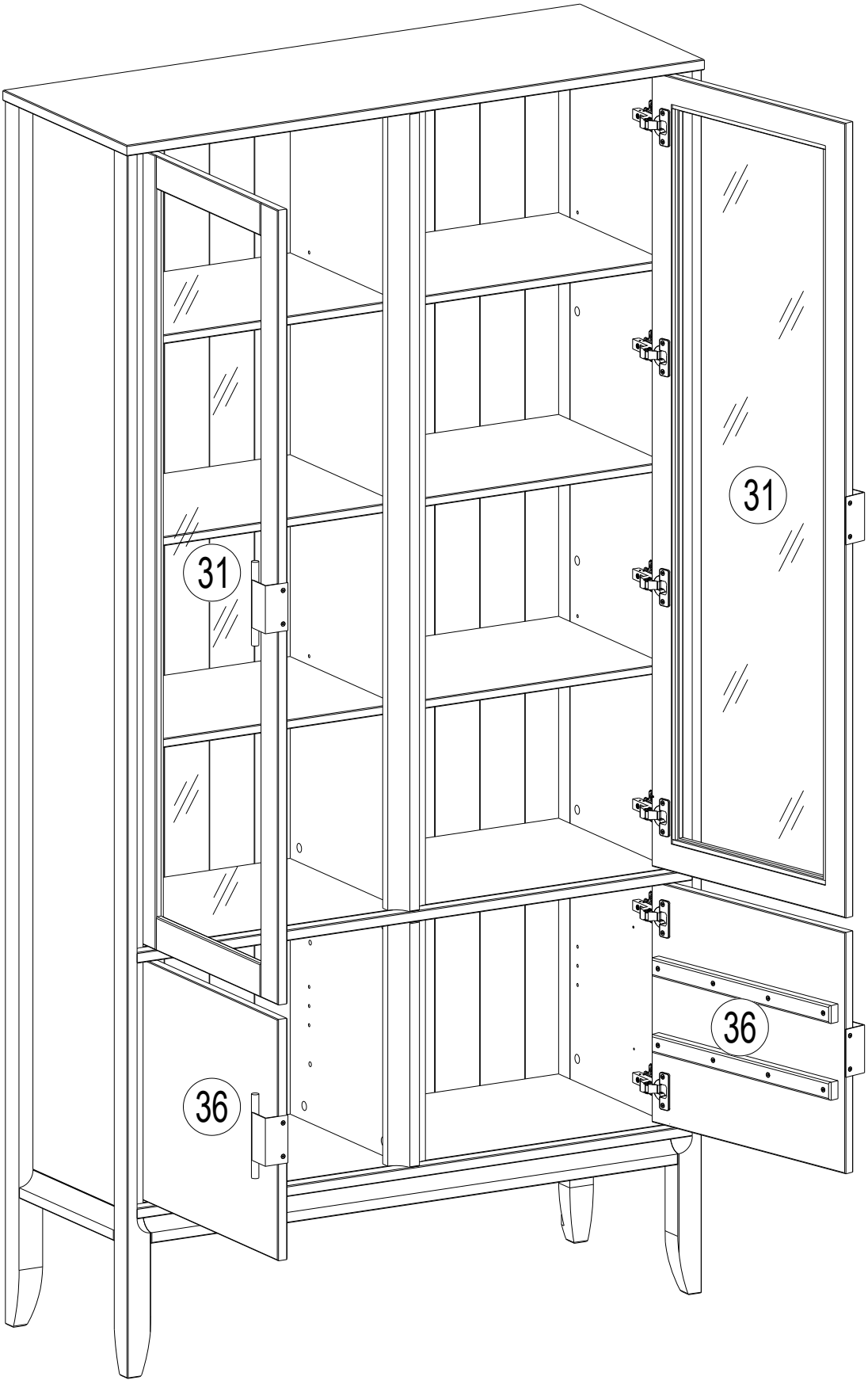
I a) b) 210141 x4

K 250012 3,5x15 x24

L 250021 3,5x30 x16

M a) 180123 x12





# D)

1	K	250012	C	230010	O	250044	M(b)	180123	P(b)	160064
	3,5x15	x40		8x32		x8		4x40		x8

