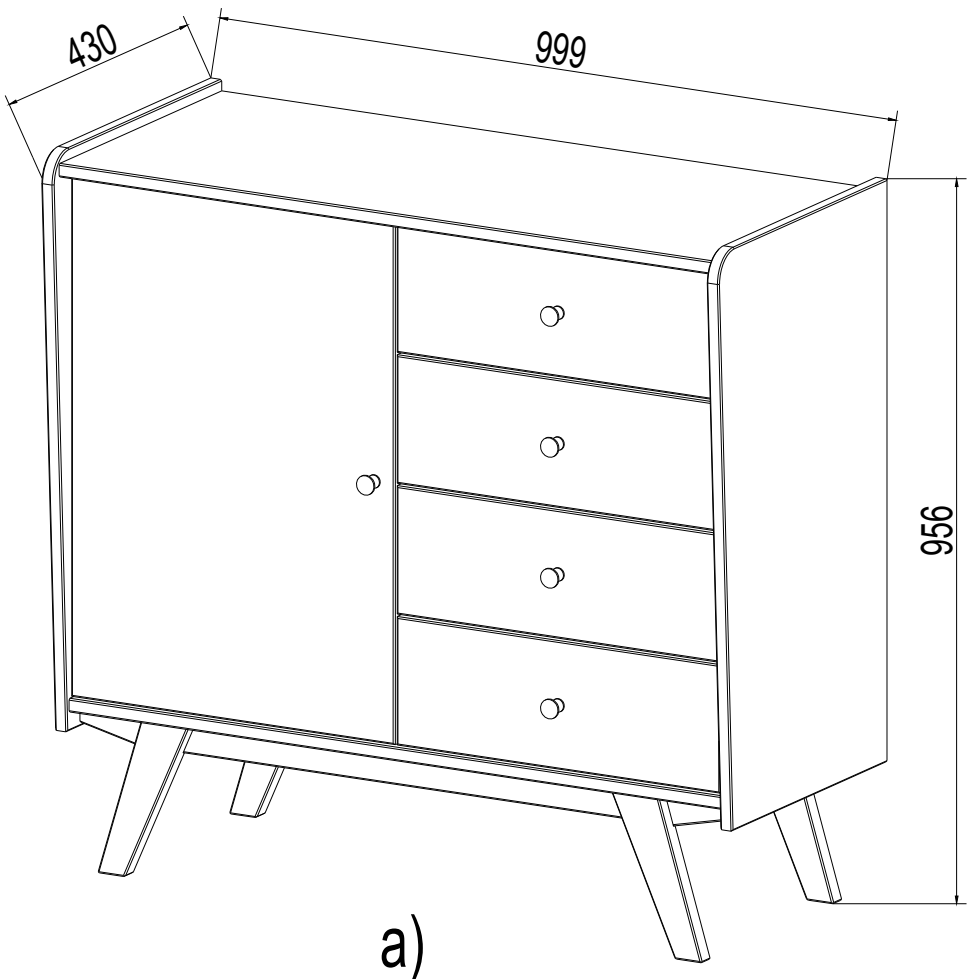




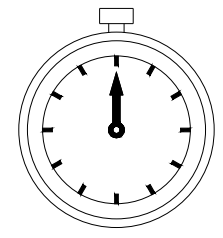
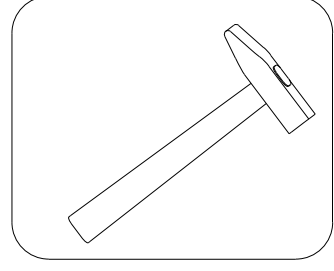
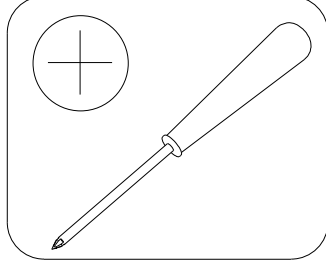
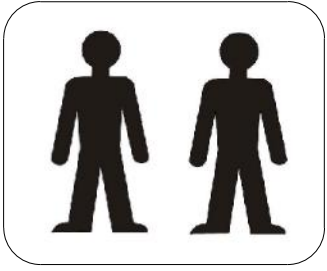
«SanRemi»
<http://www.sanremi.ru>
e-mail: sanremi@list.ru
+7 (812) 920-36-23



a)

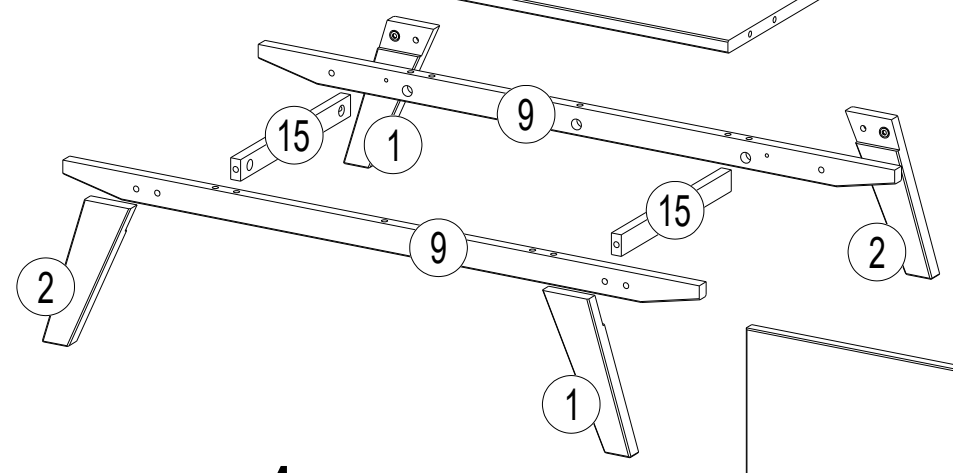
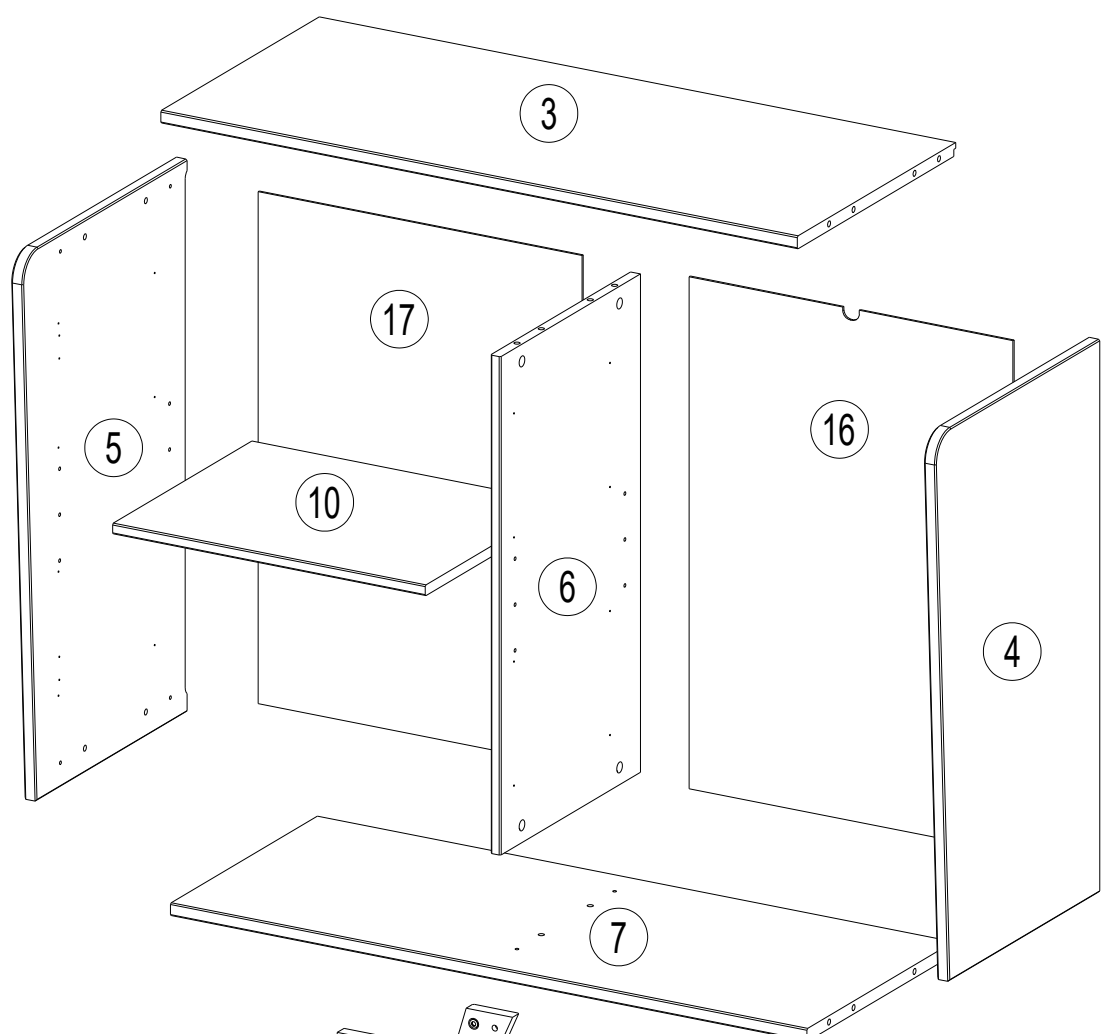


b)

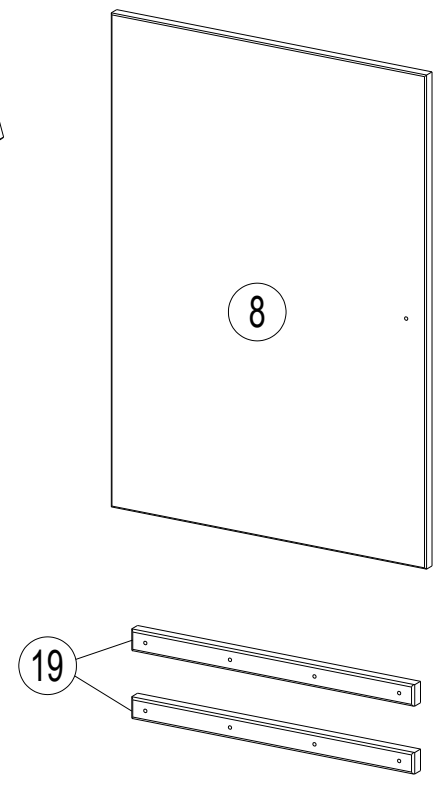
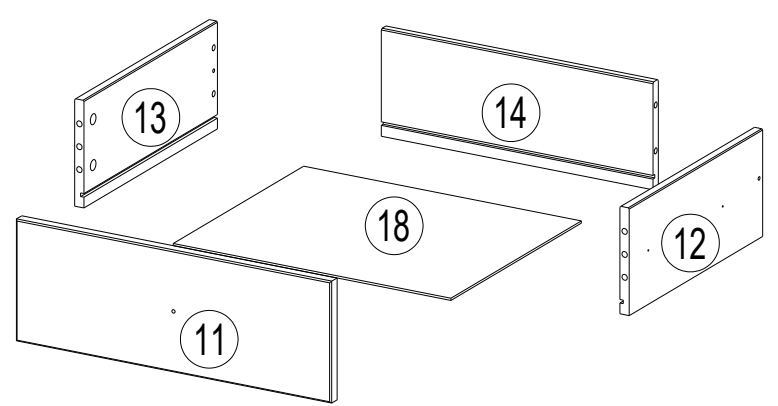


120 min

0
10
20
30
40
50
60
70
80
90
100
110
120
130
140
150
160
170
180

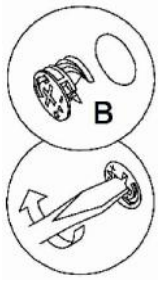
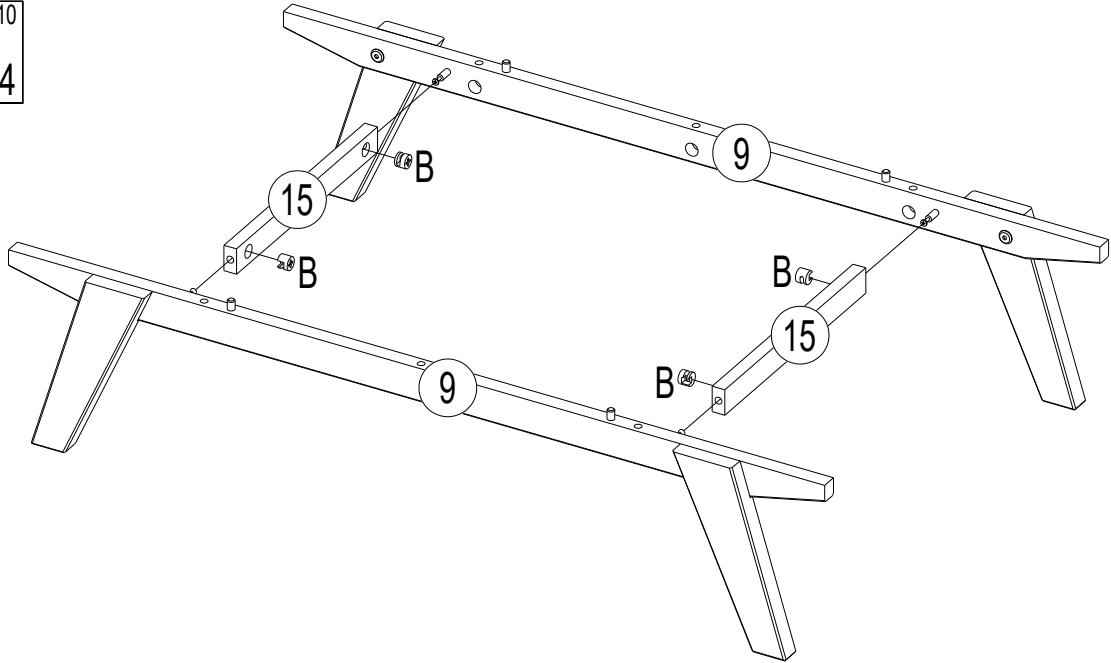


x4



2

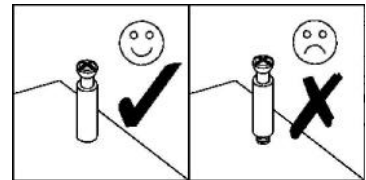
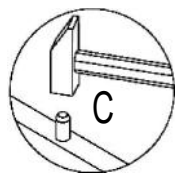
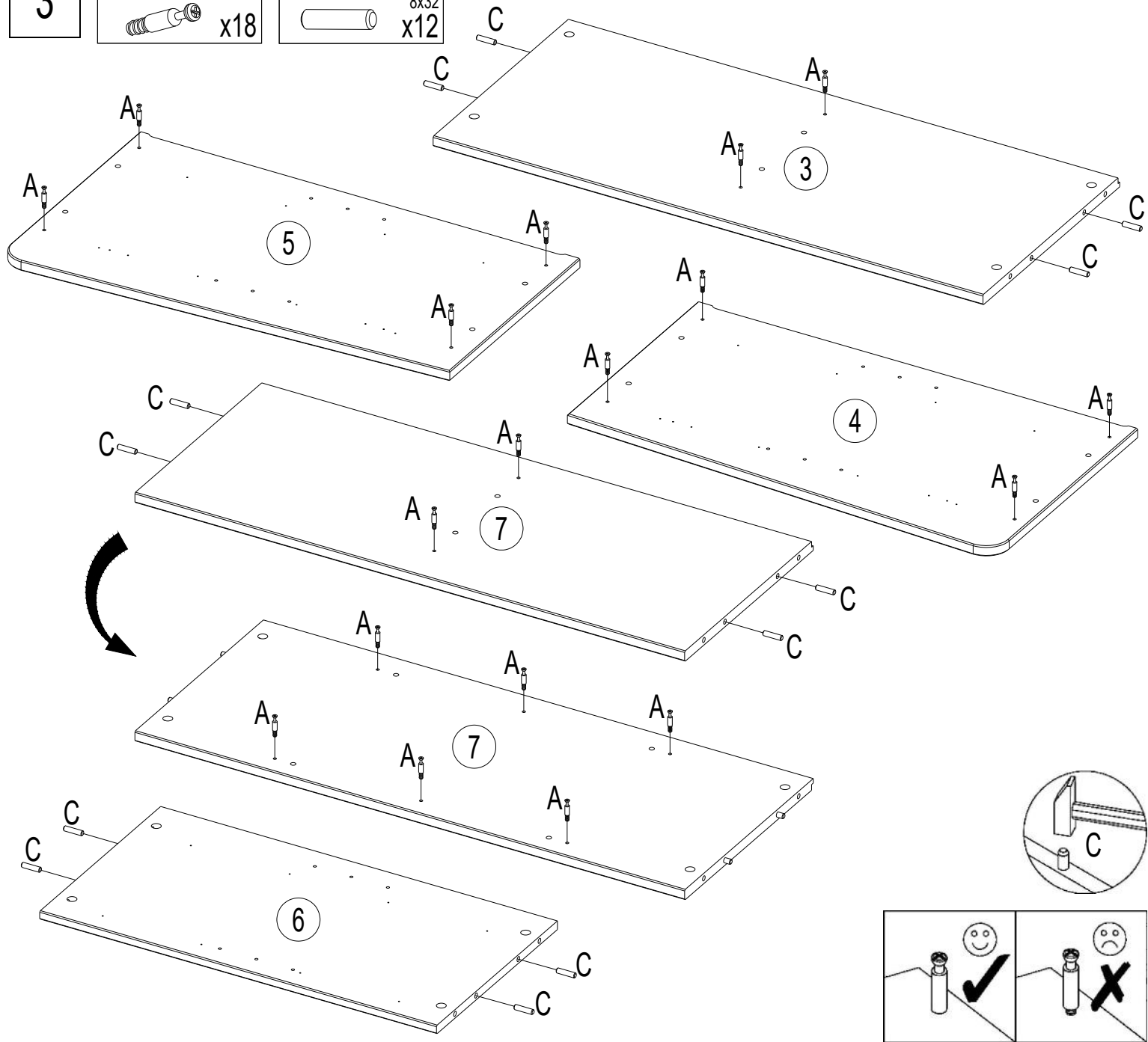
B 030110 x4



3

A 030093 x18

C 230010 8x32 x12



4-9

4a

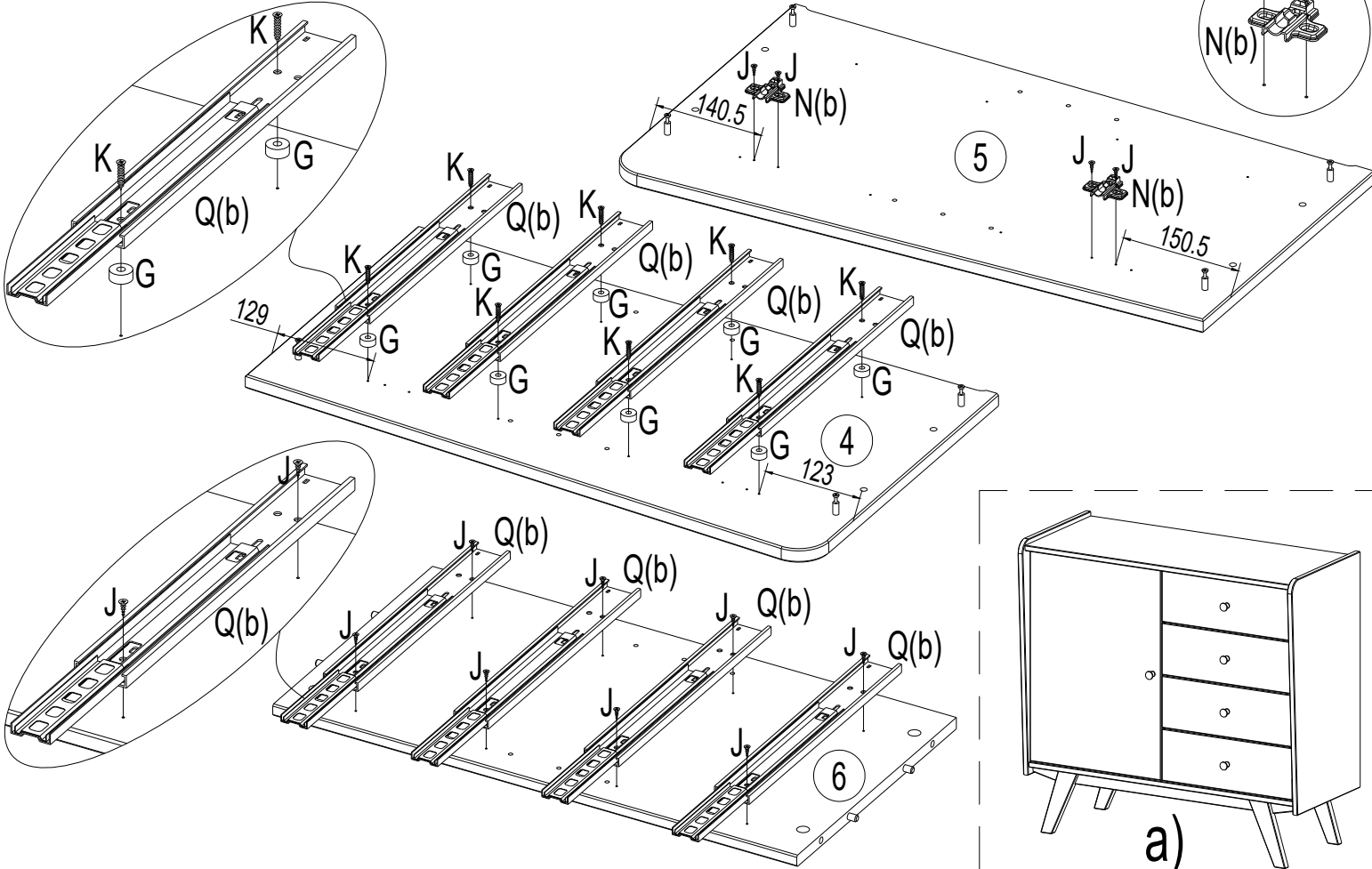
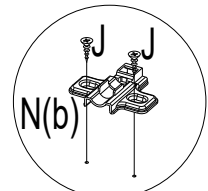
G 050022
D18/6,5x8 x8

J 250012
3,5x15 x12

K 250018
3,5x25 x8

N(b) 180123 x2

Q(b) 160061 x8



4b

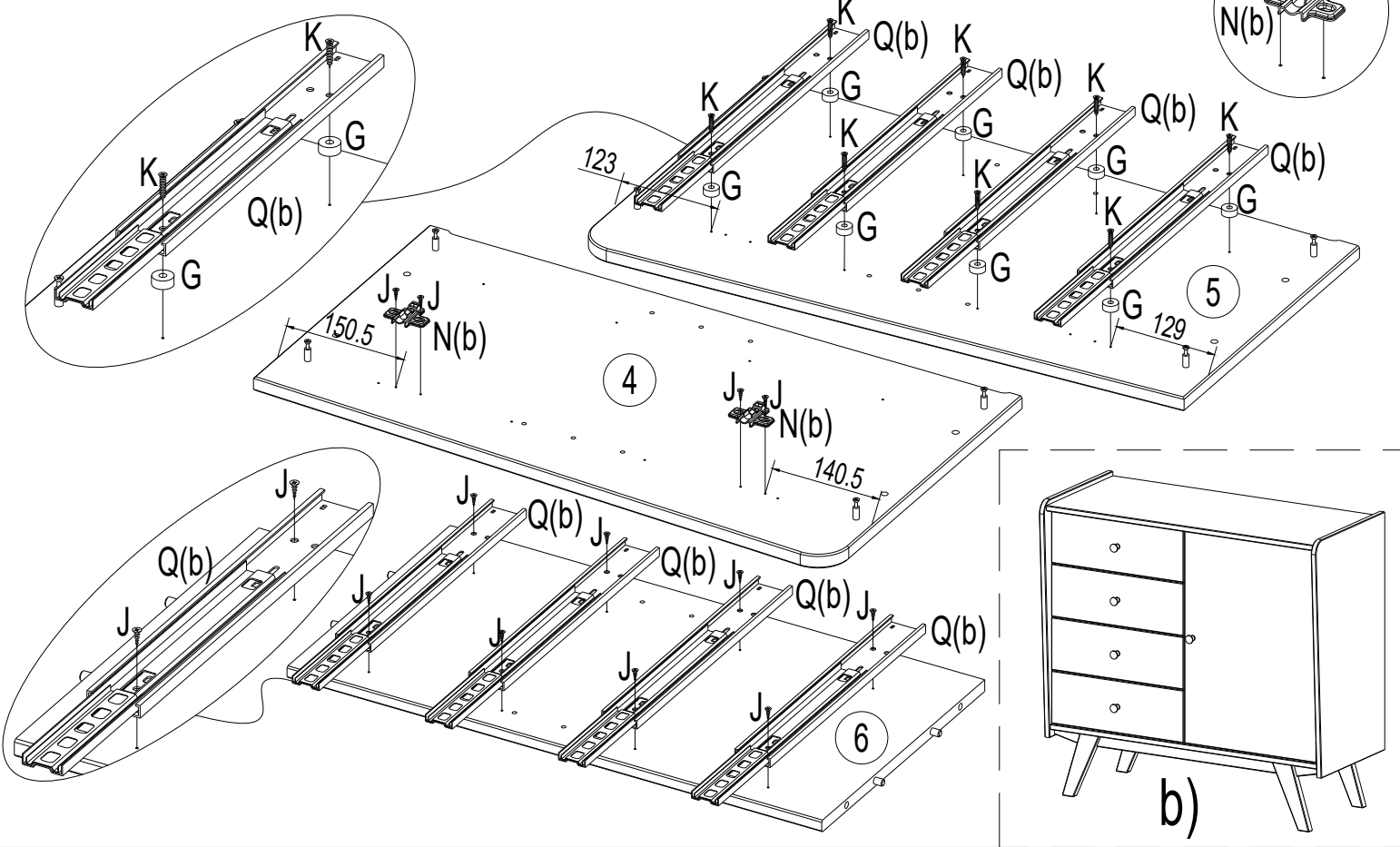
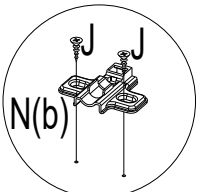
G 050022
D18/6,5x8 x8

J 250012
3,5x15 x12

K 250018
3,5x25 x8

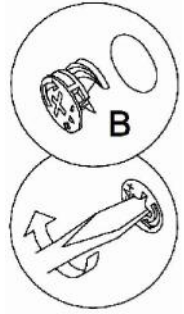
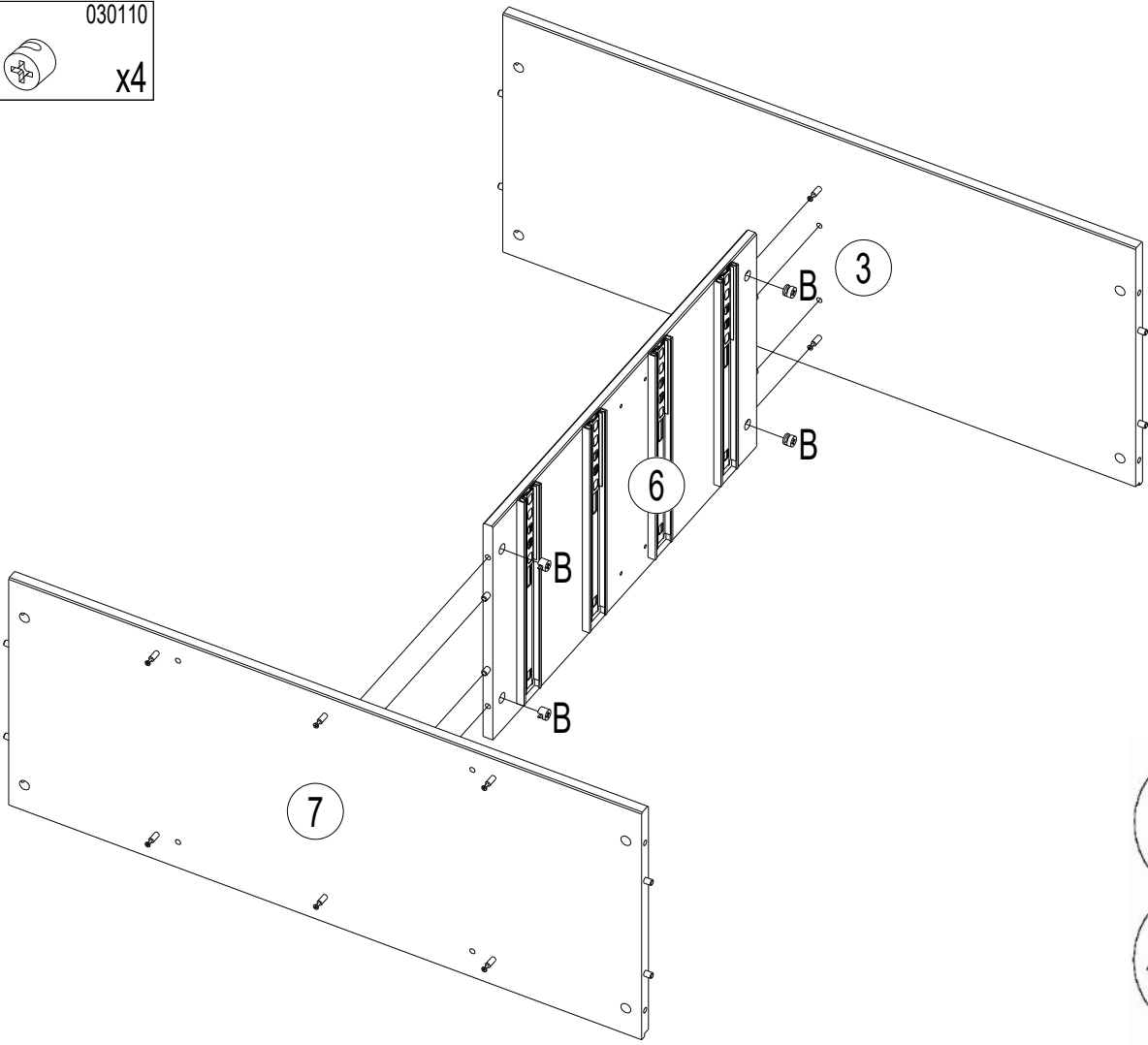
N(b) 180123 x2

Q(b) 160061 x8



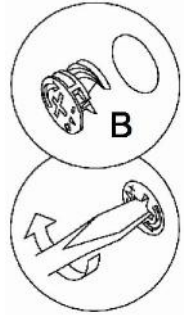
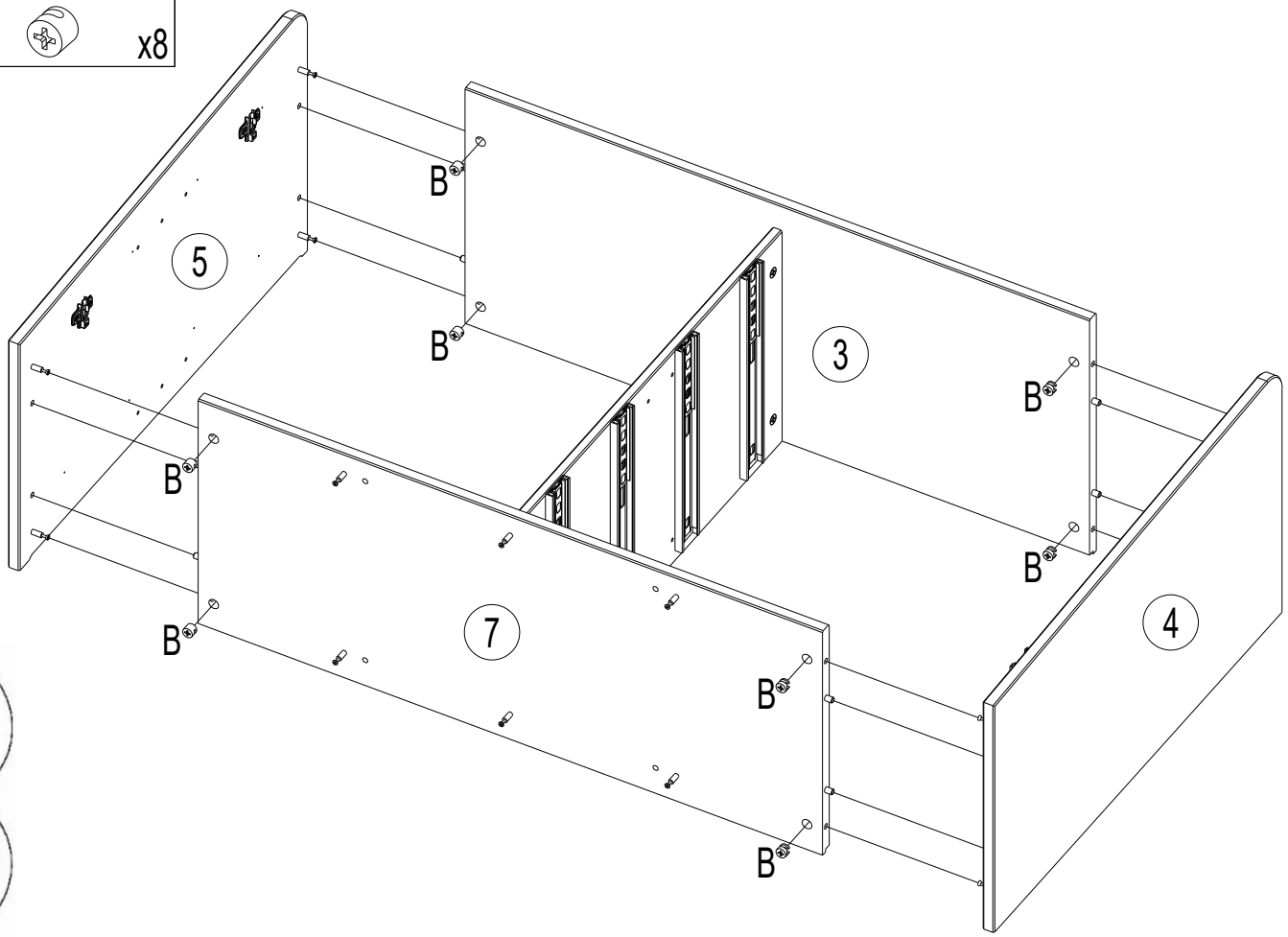
5a

B 030110 x4



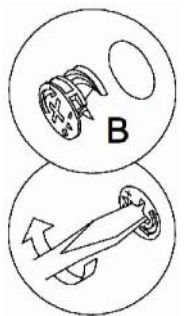
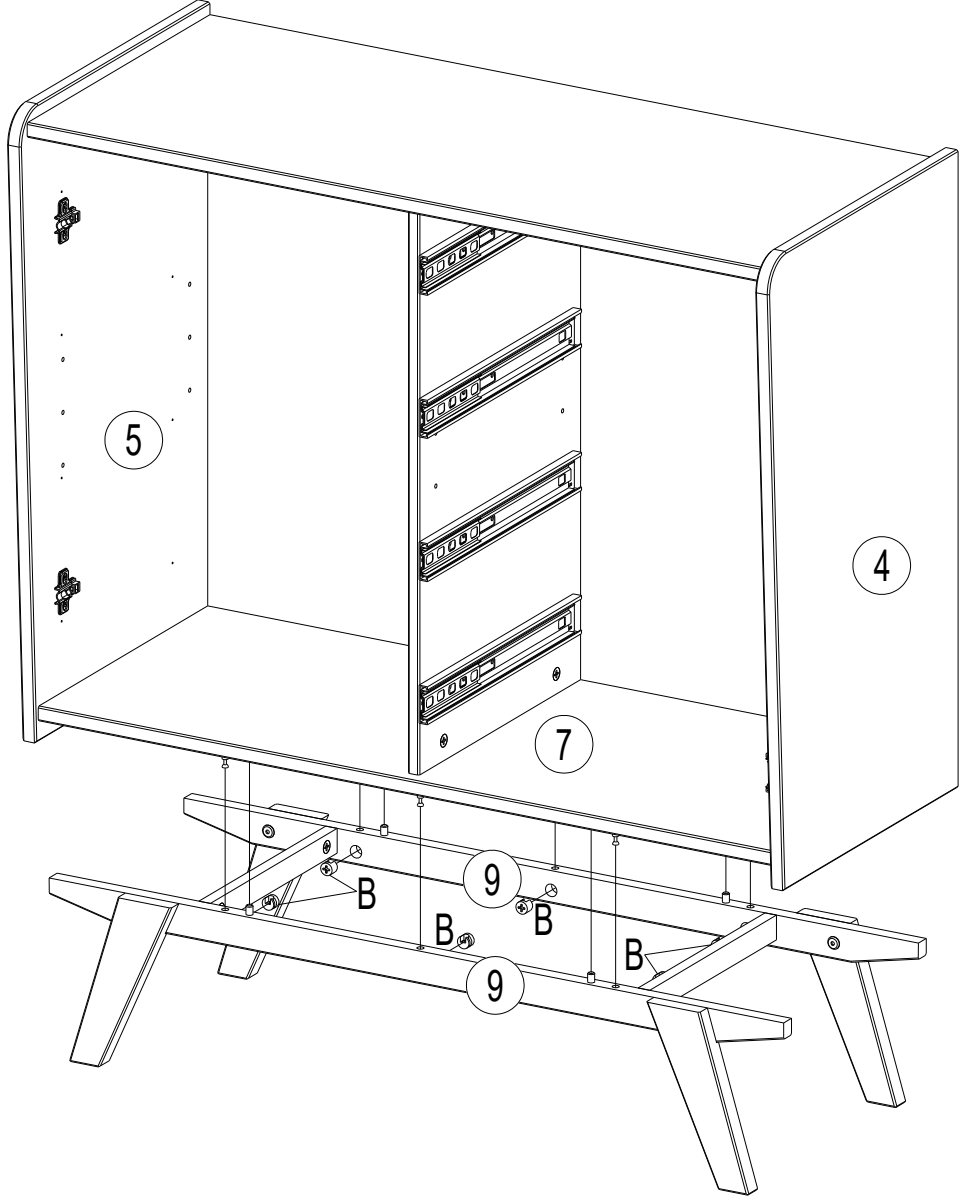
6a

B 030110 x8



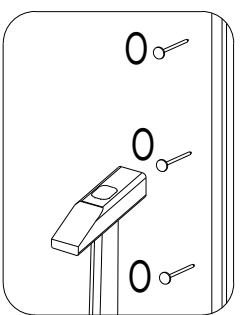
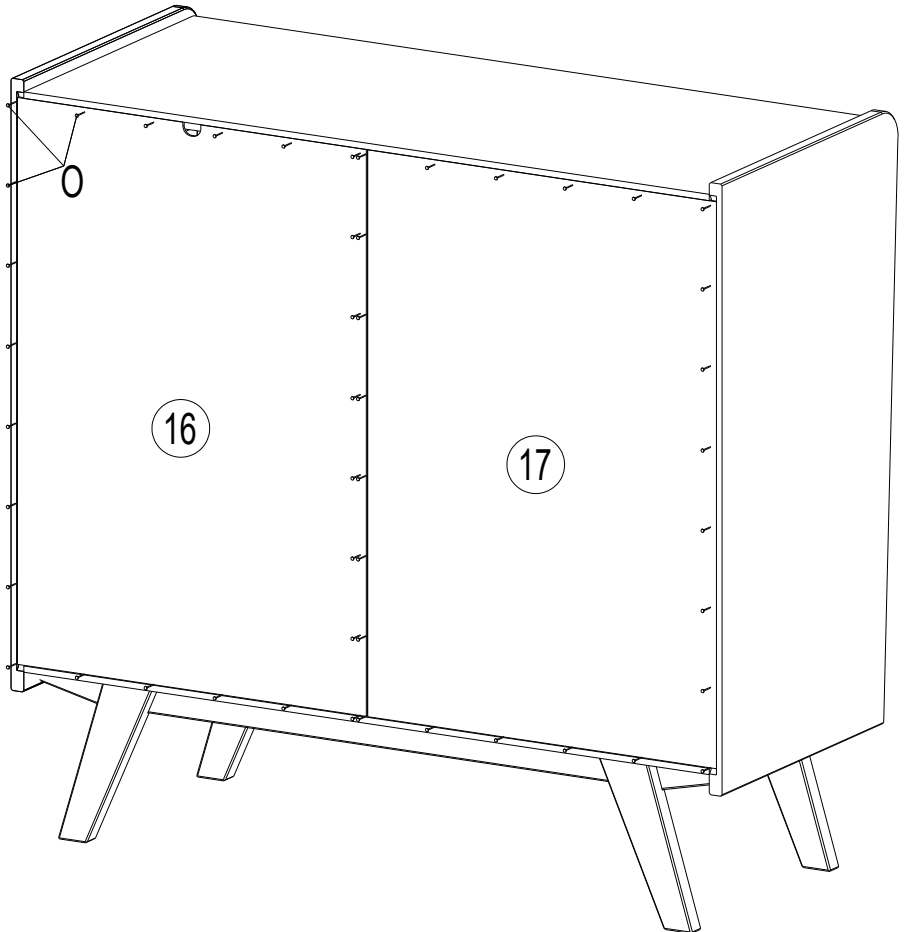
7a

B 030110 x6



8

0 220043 x2
1.2x20



9

A 030093 x16	B 030110 x16	C 230010 8x32 x24	E 210136 x4	J 250012 3,5x15 x16	L 250021 3.5x30 x8
---------------------------	---------------------------	-----------------------------------	--------------------------	-------------------------------------	------------------------------------

Q(a) 160061 x8

11 **12** **13** **14** **18**

E(a) **E(b)** **J** **L** **Q(a)**

B **C**

10

E 210136 x1	J 250012 3,5x15 x4
L 250021 3.5x30 x8	N(a) 180123 x2

8 **19** **J** **N(a)** **E(a)** **E(b)** **L**

N(a)

11a

R 090004 8x40 x1	S 180080 76x31x15 x1
T 250012 3,5x15 x1	U 250044 4x40 x1

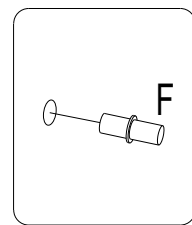
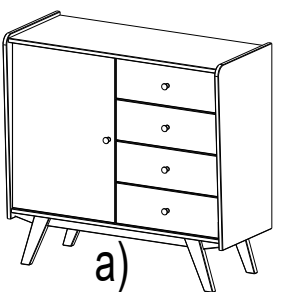
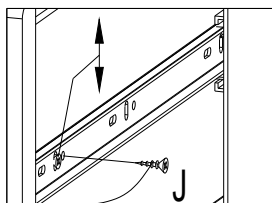
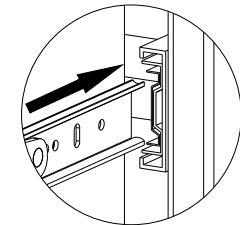
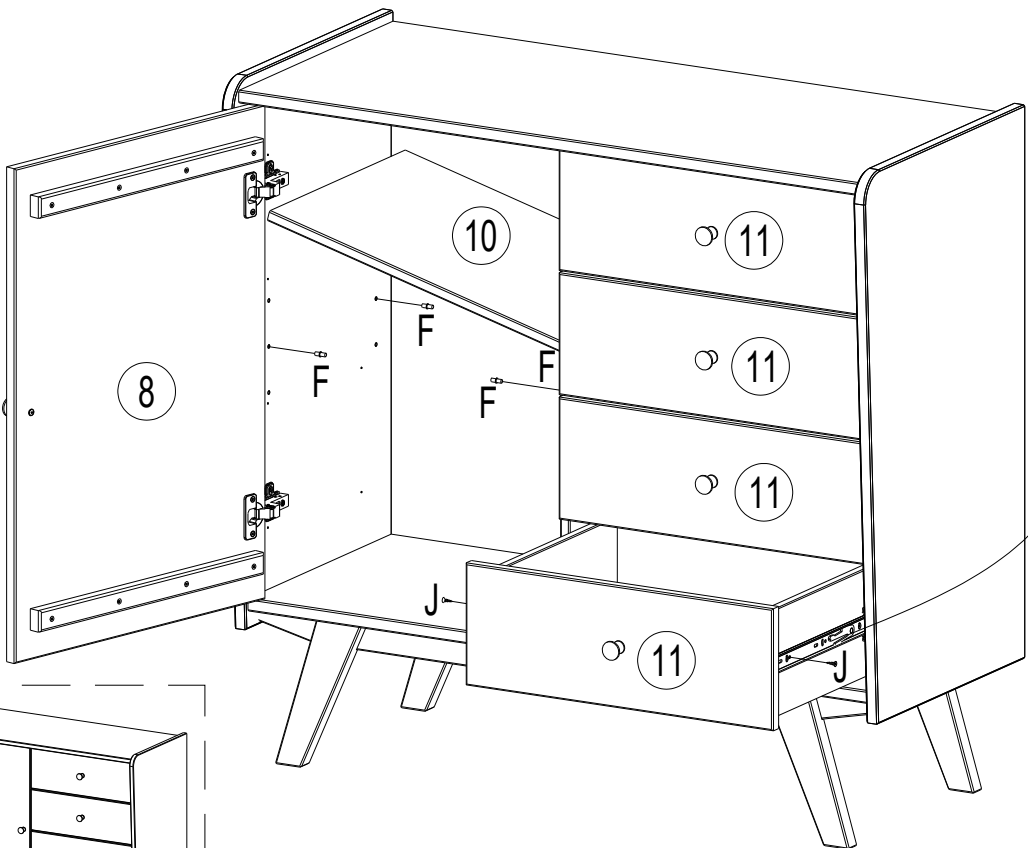
R **S** **T** **U** **Ø8**

1) 2) 3) 4)

12a

F 190002 x4

J 250012 3,5x15 x8



12b

F 190002 x4

J 250012 3,5x15 x8

