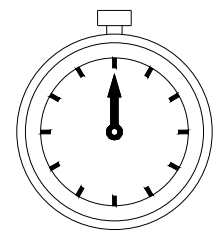
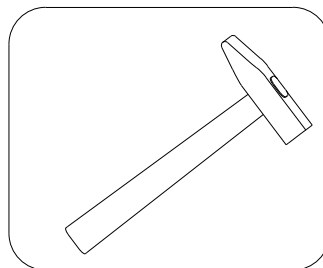
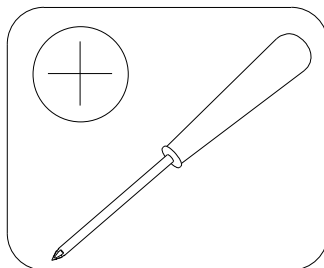
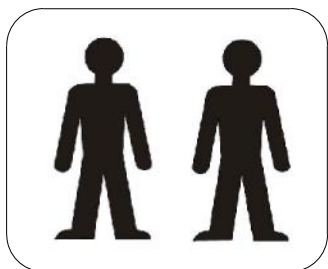
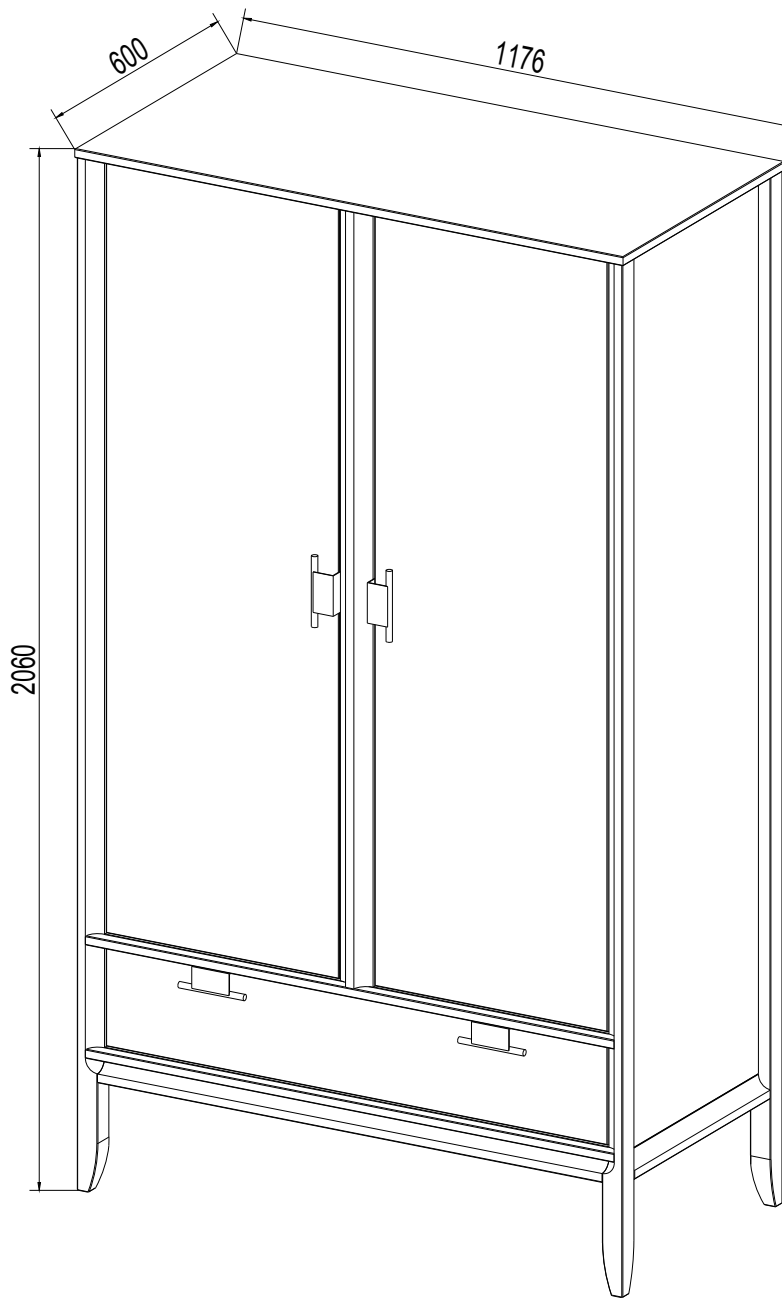


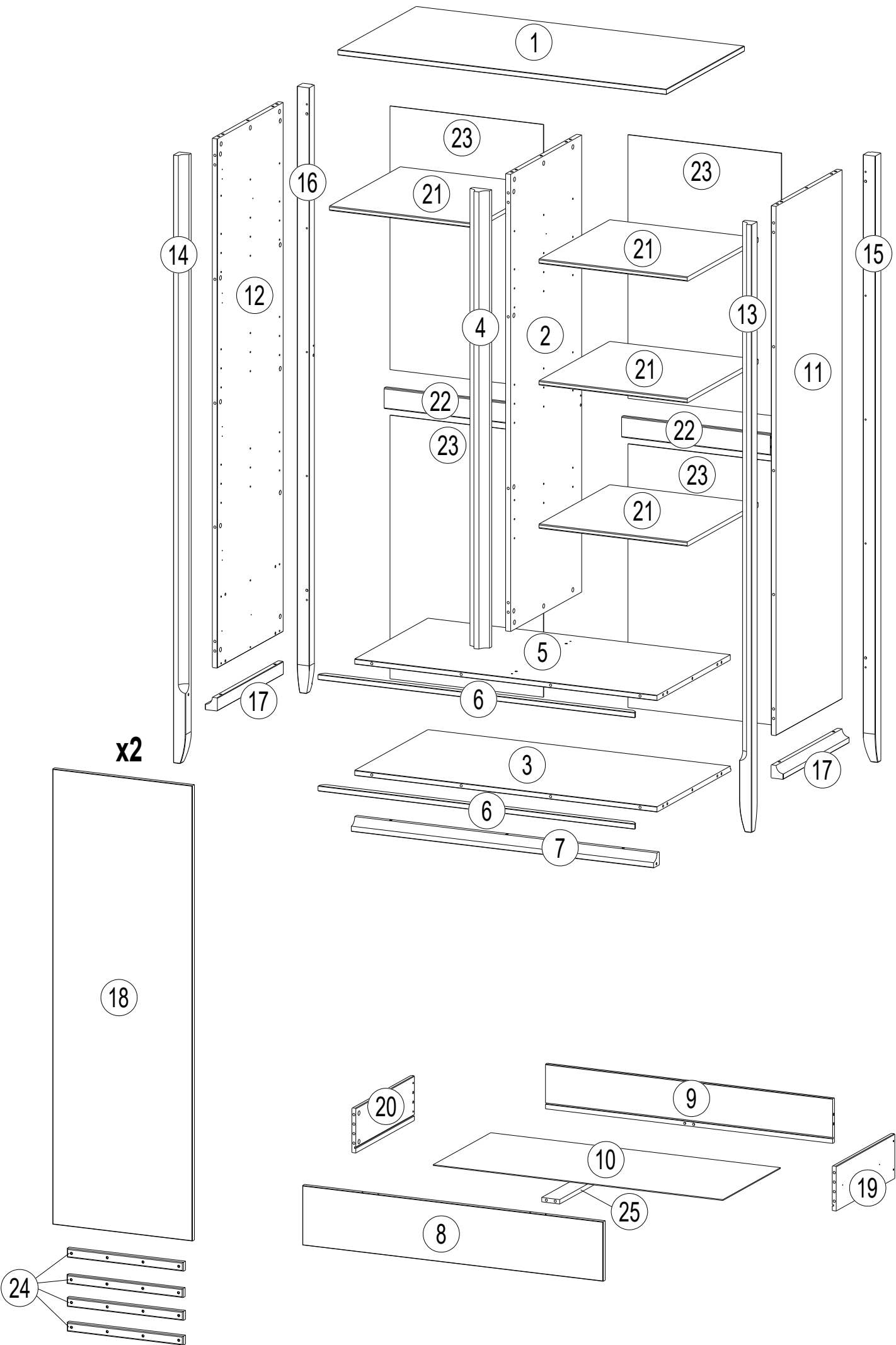


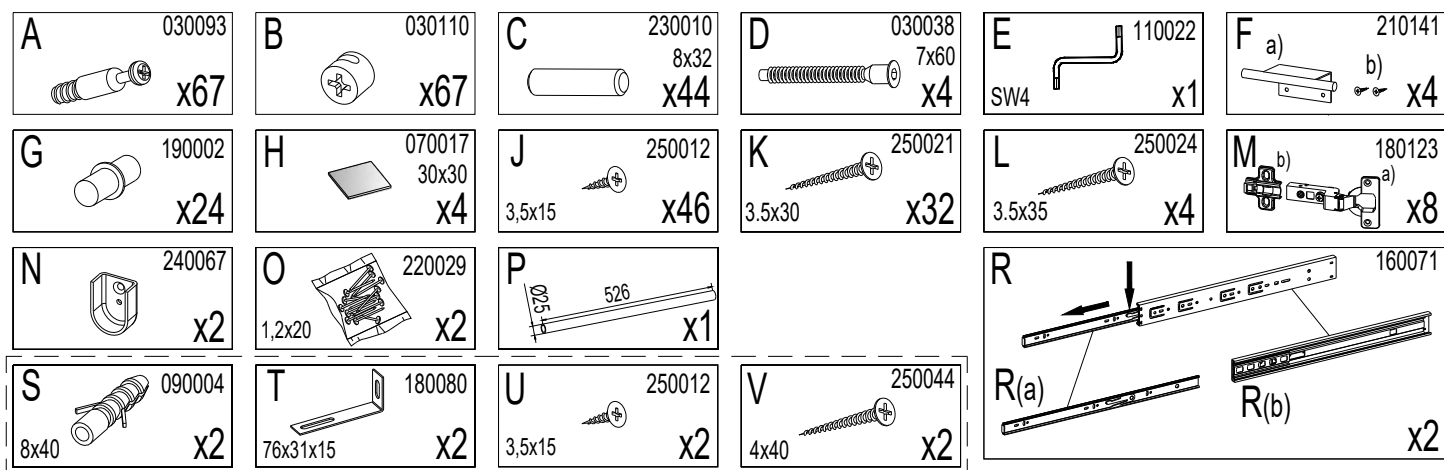
«SanRemi»
<https://sanremi-home.ru>
e-mail: sanremi@list.ru
+7 (812) 920-36-23



120 min

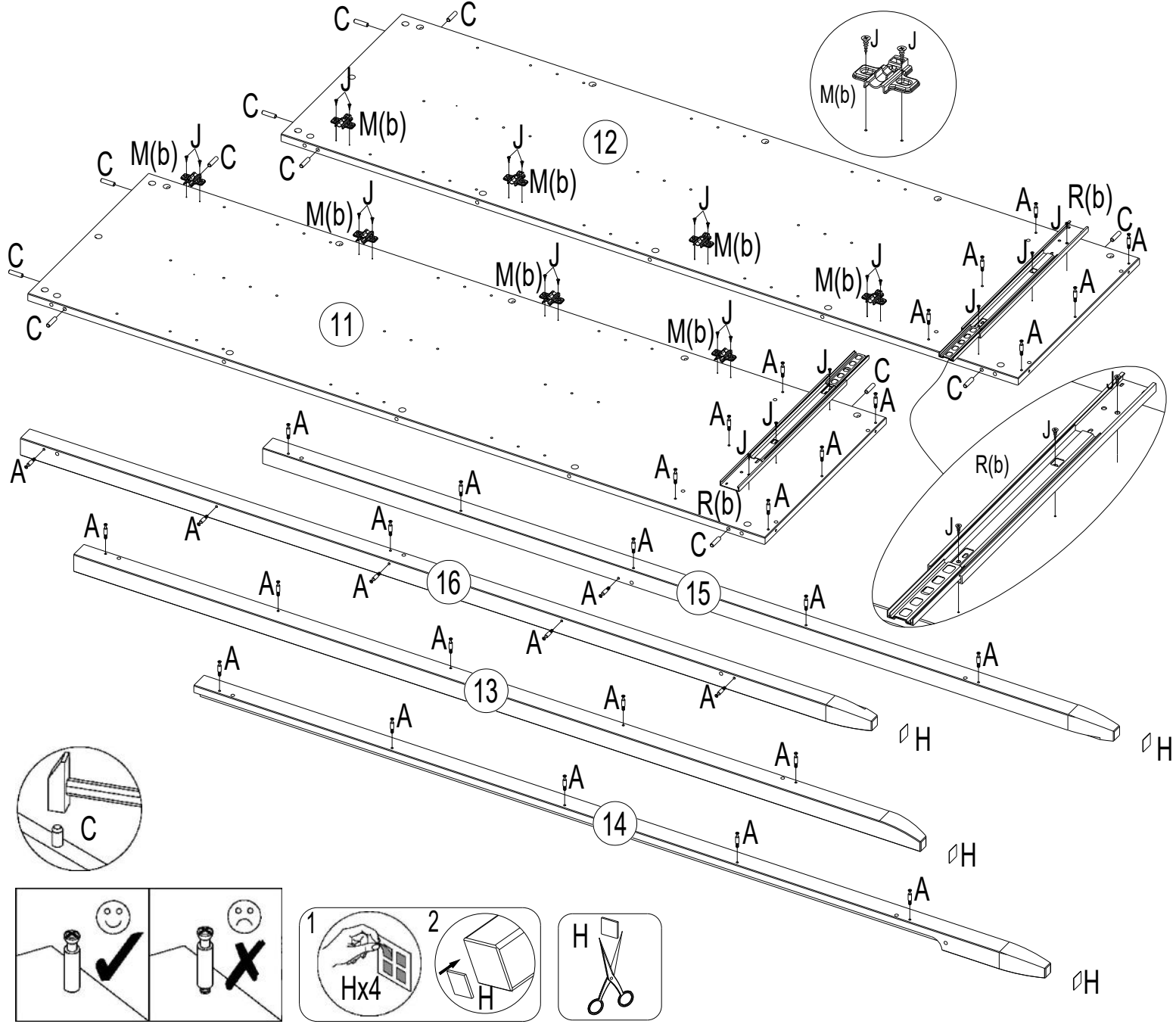
0
10
20
30
40
50
60
70
80
90
100
110
120
130
140
150
160
170
180



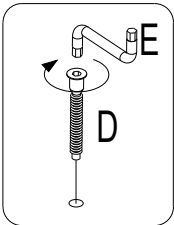
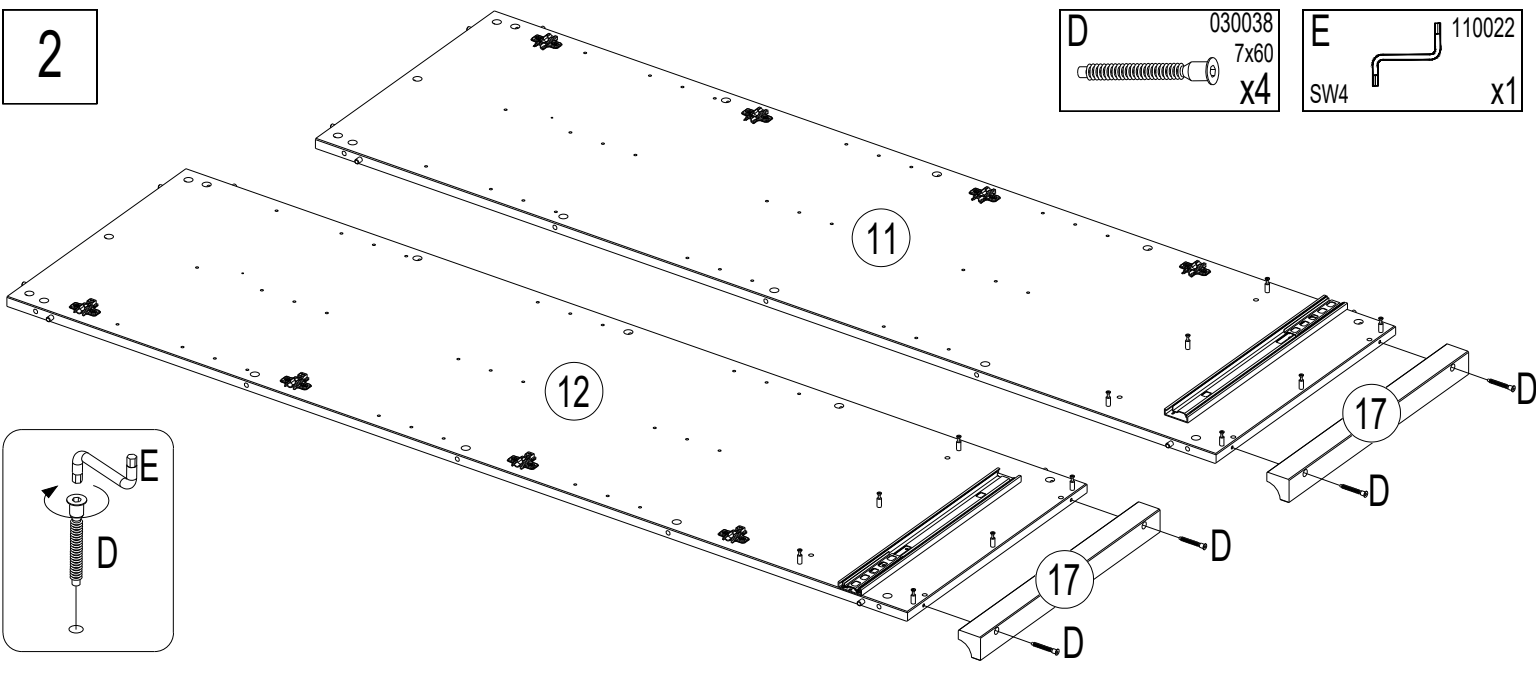


No	Size/MaB (mm)	Qty	✓	No	Size/MaB (mm)	Qty	✓
1	1176x600x18	1		14	2042x44x44	1	
2	1536x545x18	1		15	2042x44x44	1	
3	1082x568x18	1		16	2042x44x44	1	
4	1536x70x44	1		17	506x44x44	2	
5	1082x563x18	1		18	1529x500x18	2	
6	1134x26x18	2		19	450x150x14	1	
7	1082x44x44	1		20	450x150x14	1	
8	1076x200x18	1		21	531x544x15	4	
9	1028x150x14	1		22	532x70x15	2	
10	1037x442x3	1		23	885x550x3	4	
11	1778x506x18	1		24	416x30x18	8	
12	1778x506x18	1		25	433x64x15	1	
13	2042x44x44	1					

- 1**
- A** 030093 x34
- C** 230010 8x32 x12
- H** 070017 30x30 x4
- J** 250012 3,5x15 x22
- M(b)** 180123 x8
- R(b)** 160071 x2

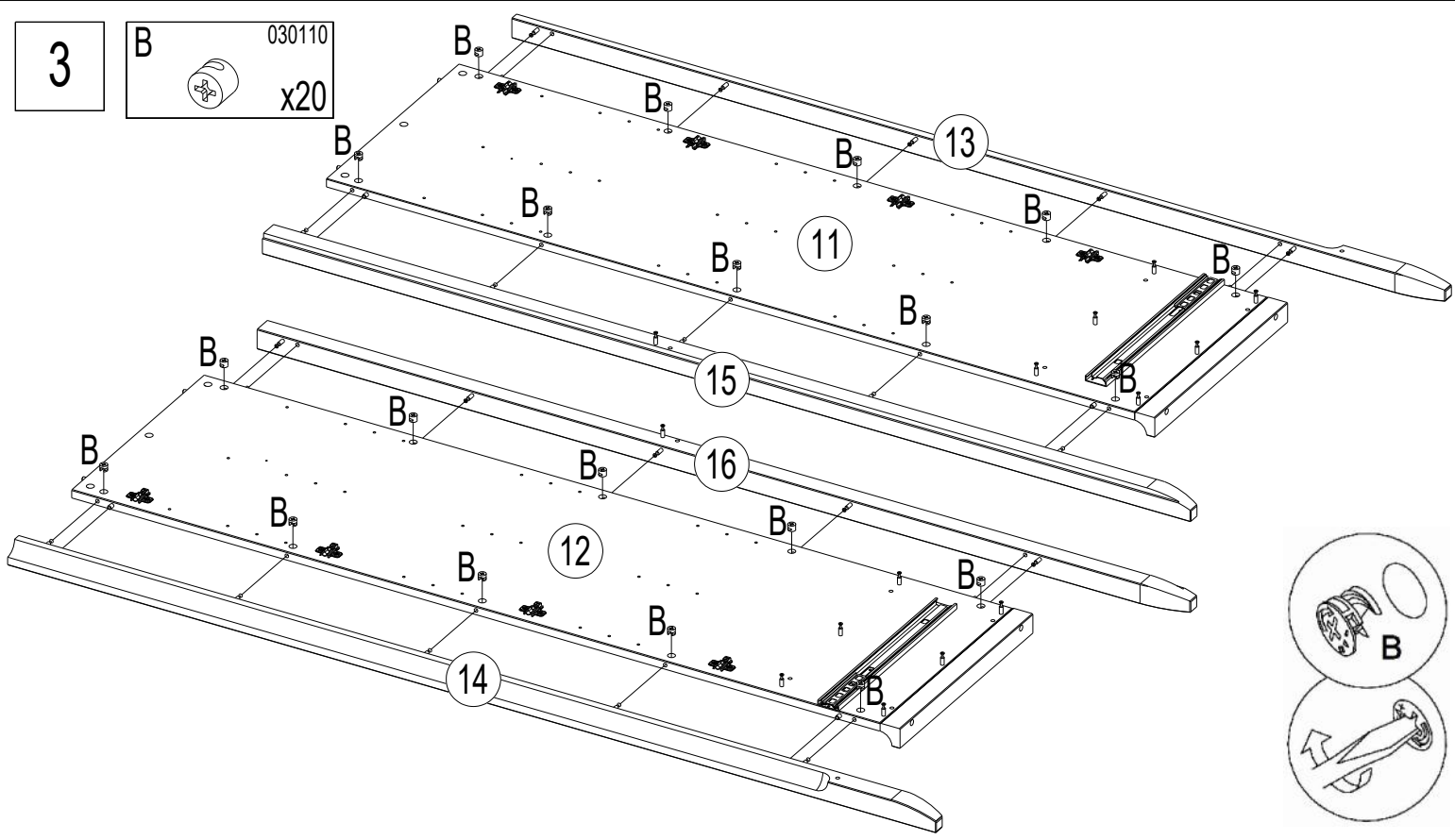


1. Correct screw insertion (smiley face) vs. incorrect screw insertion (sad face).
 2. Cutting of component H (scissors icon).
 Hx4: Placement of component H on the panel.



3

B 030110 x20

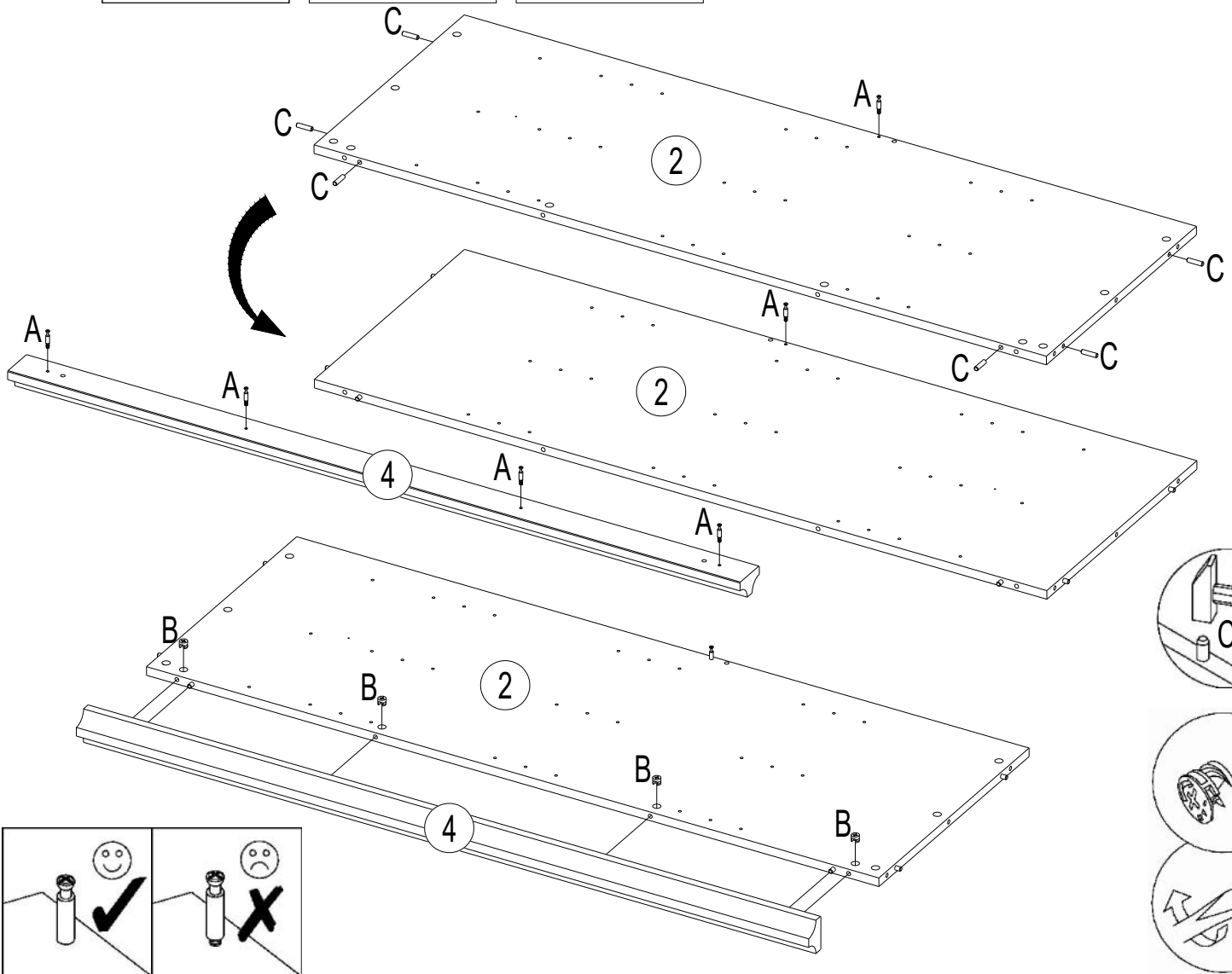


4

A 030093 x6

B 030110 x4

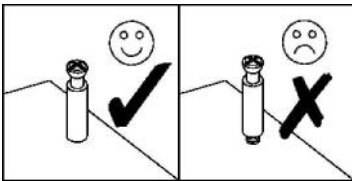
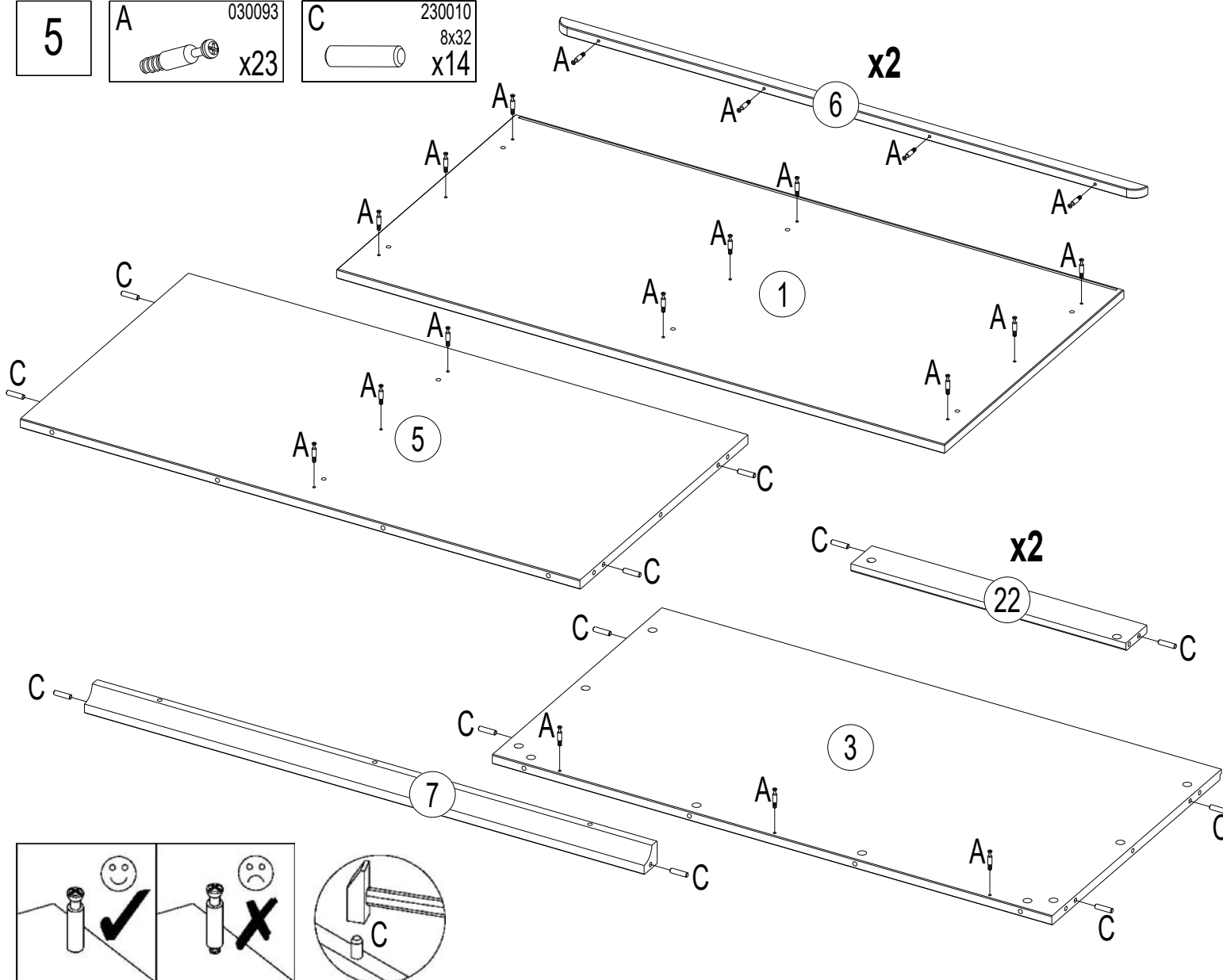
C 230010 8x32 x6



5

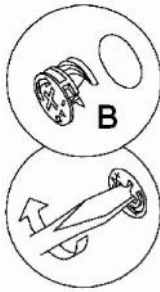
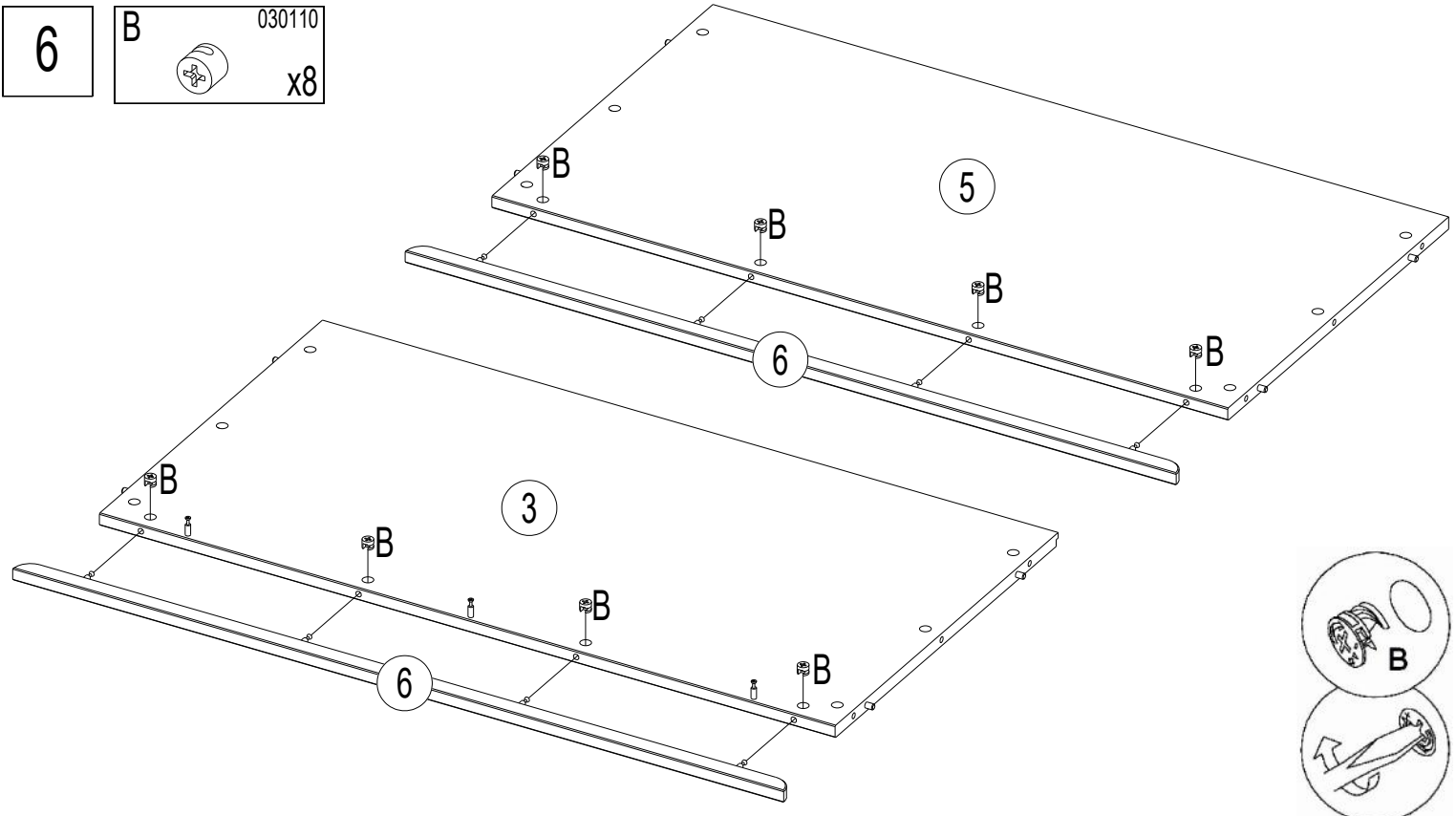
A 030093 x23

C 230010 8x32 x14



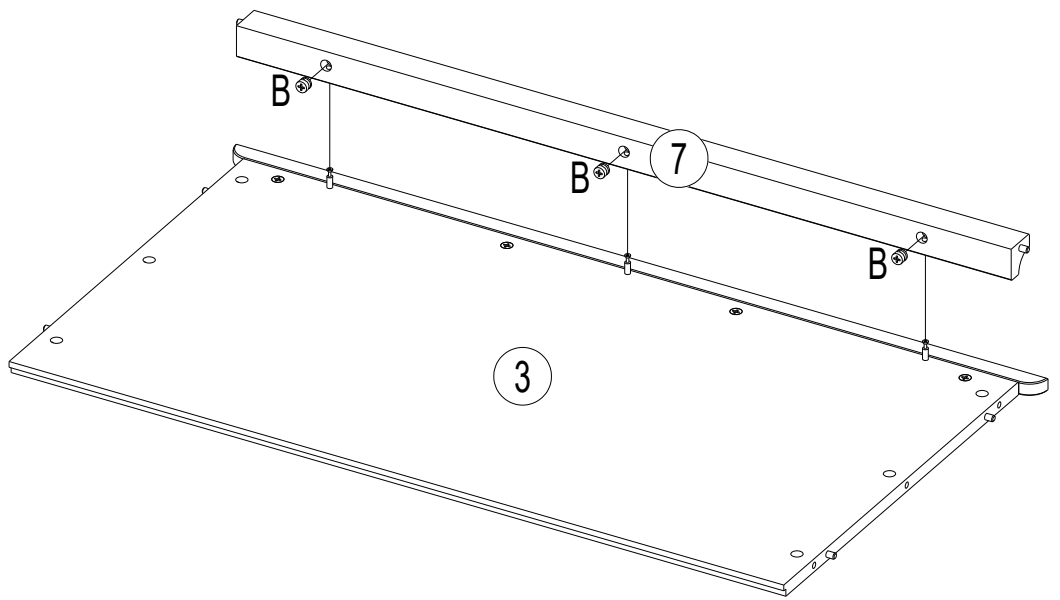
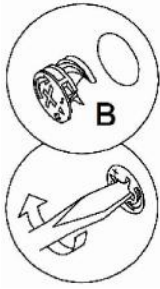
6

B 030110 x8



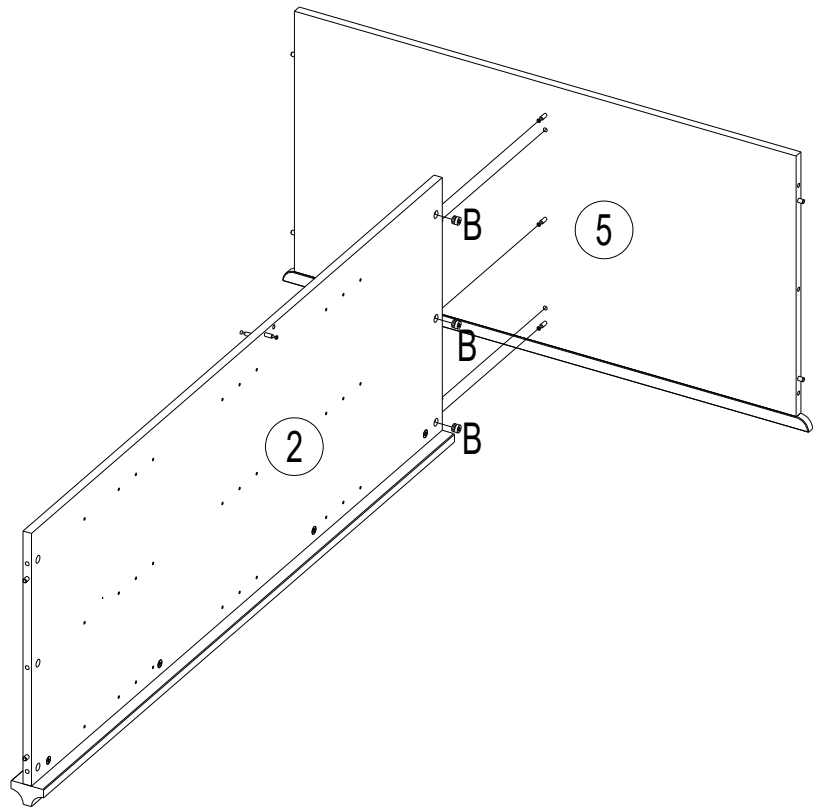
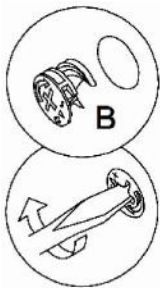
7

B 030110 x3



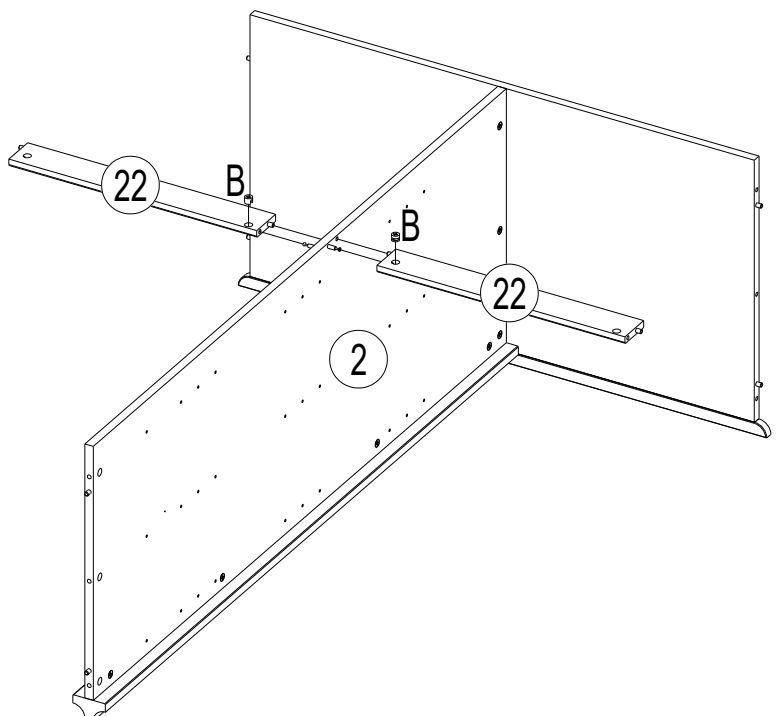
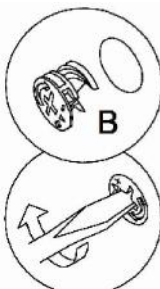
8

B 030110 x3



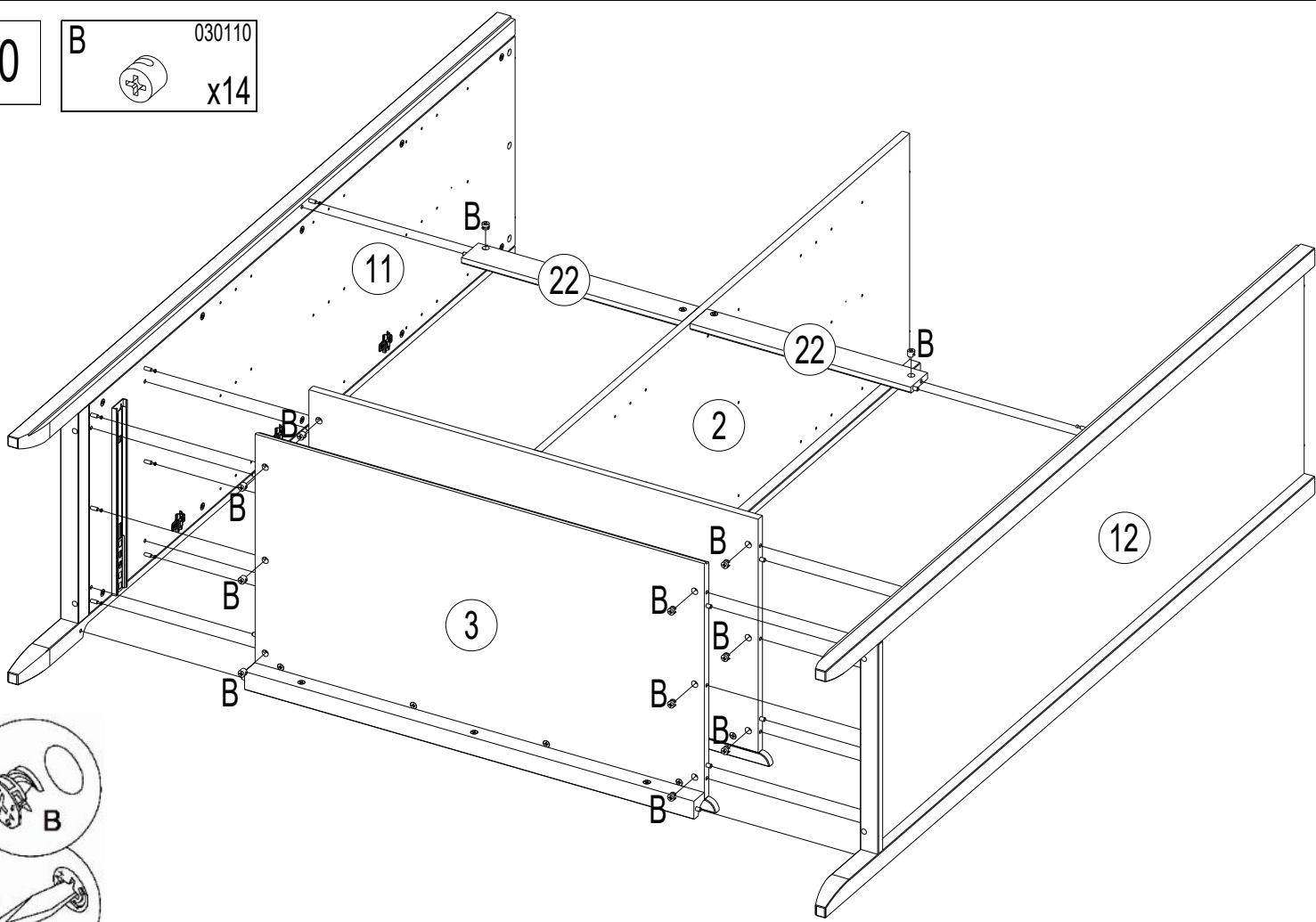
9

B 030110 x2



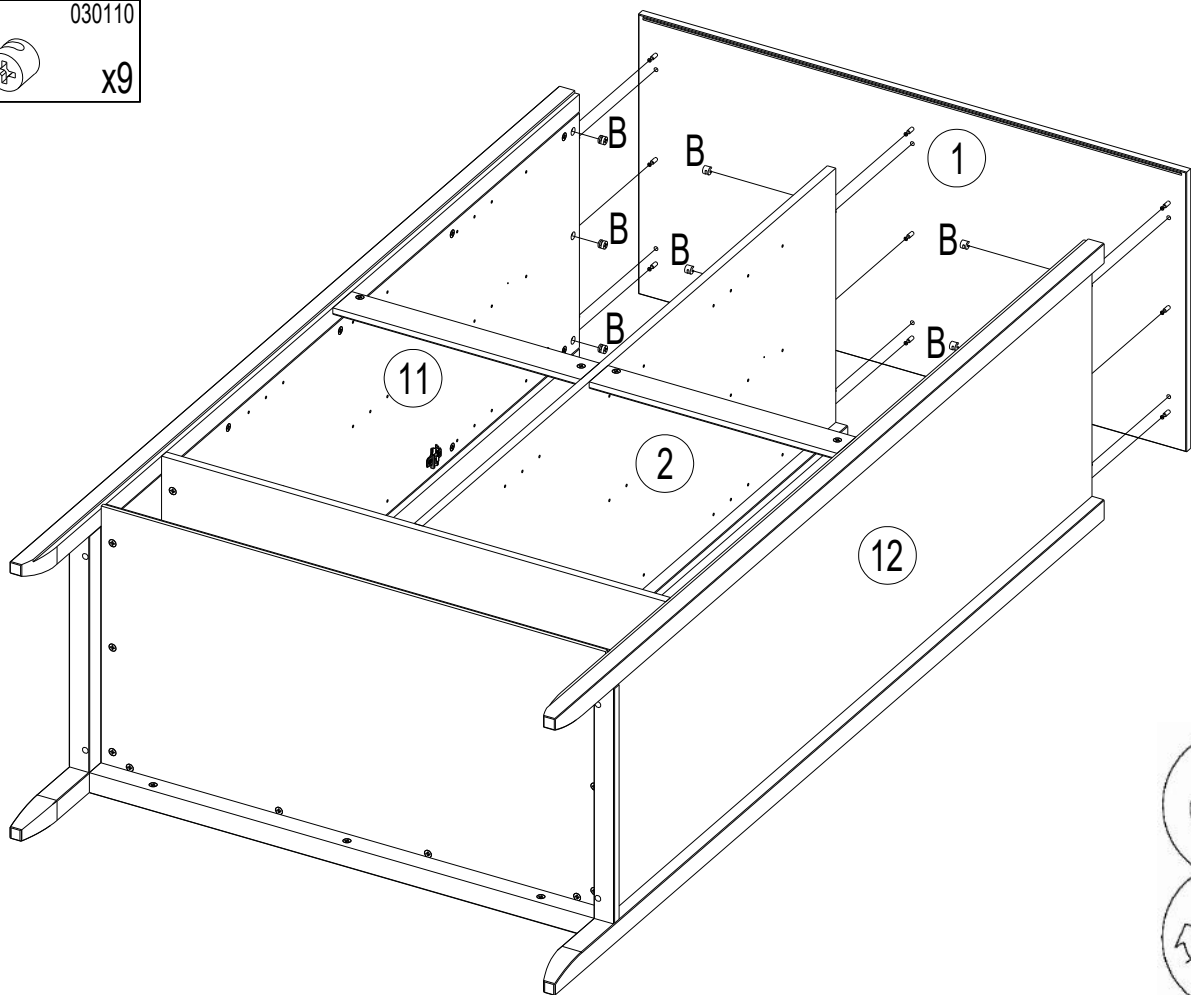
10

B 030110 x14



11

B 030110 x9

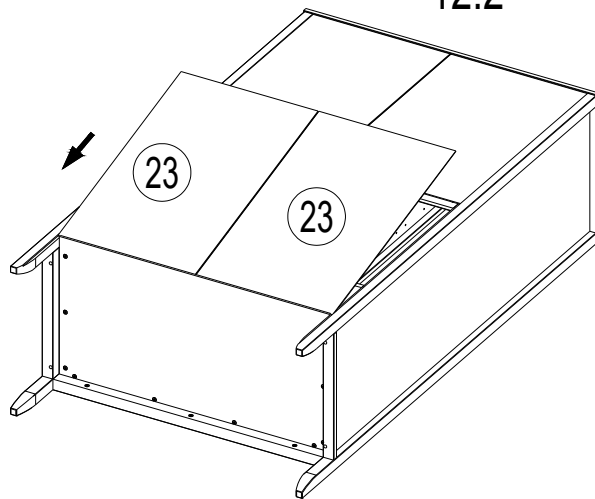
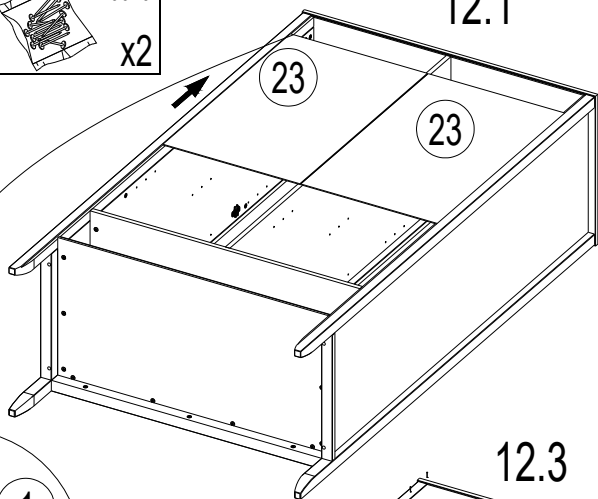
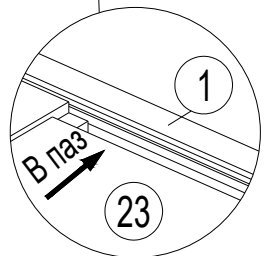


12

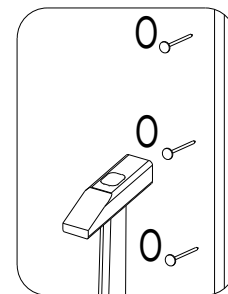
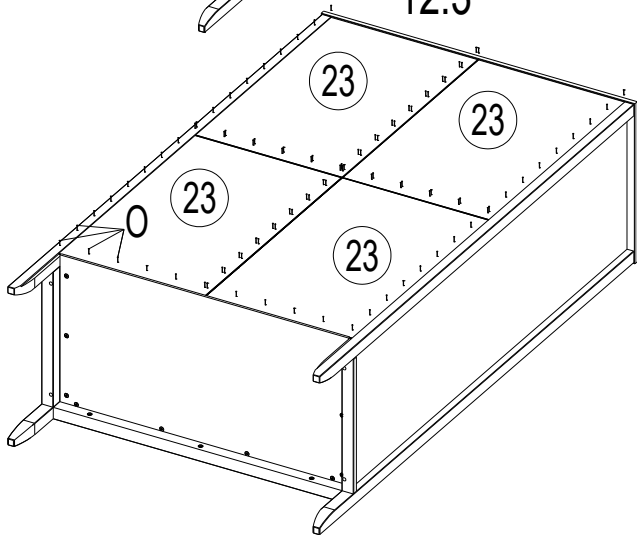
0 220029
1,2x20 x2

12.1

12.2



12.3

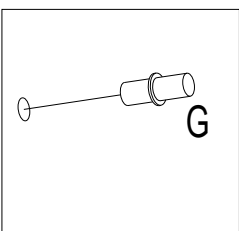
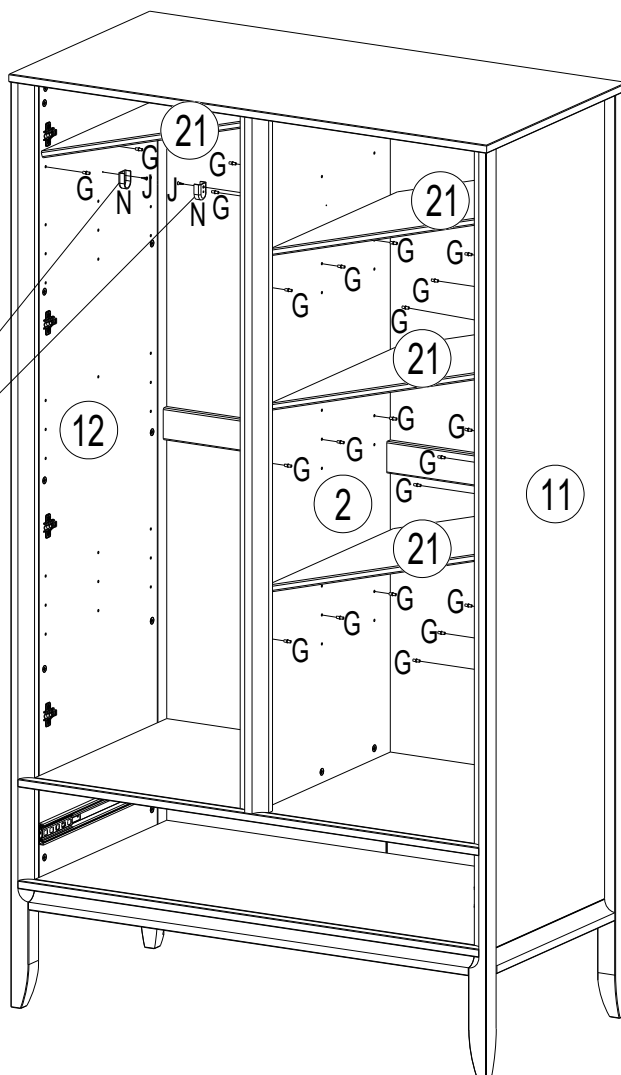
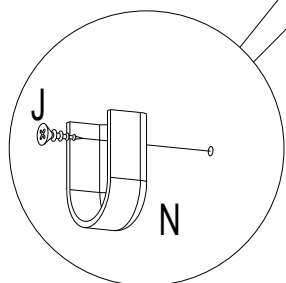


13a

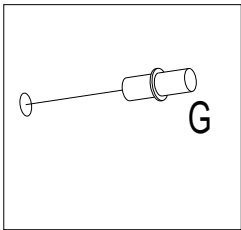
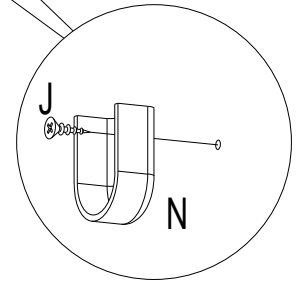
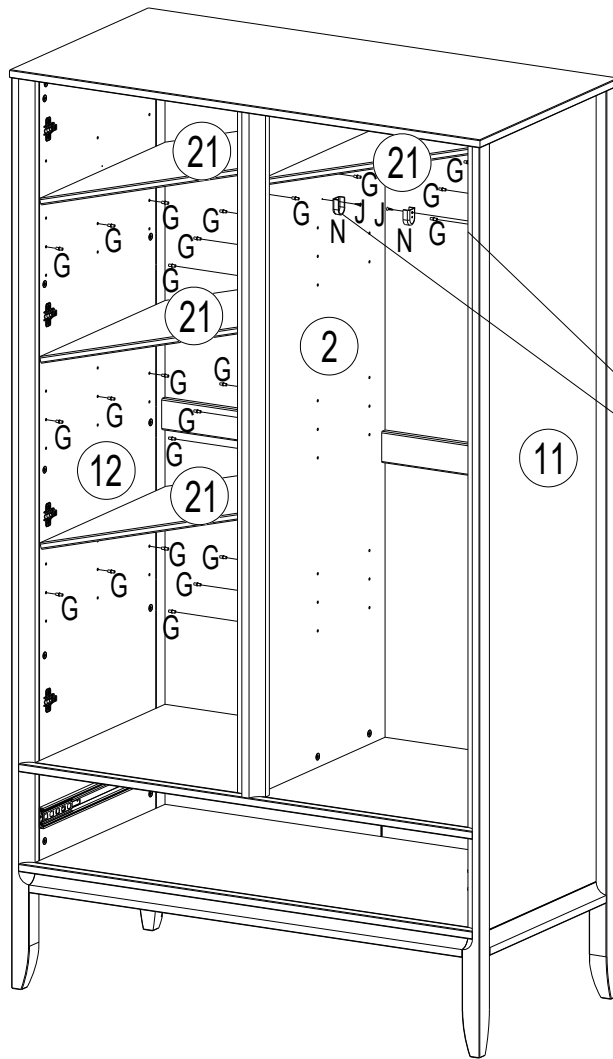
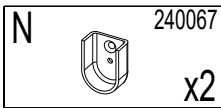
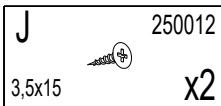
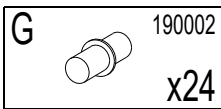
G 190002
x24

J 250012
3,5x15 x2

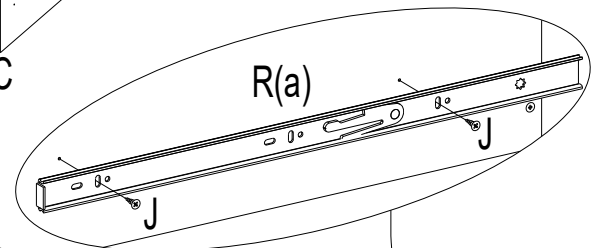
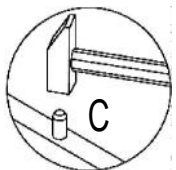
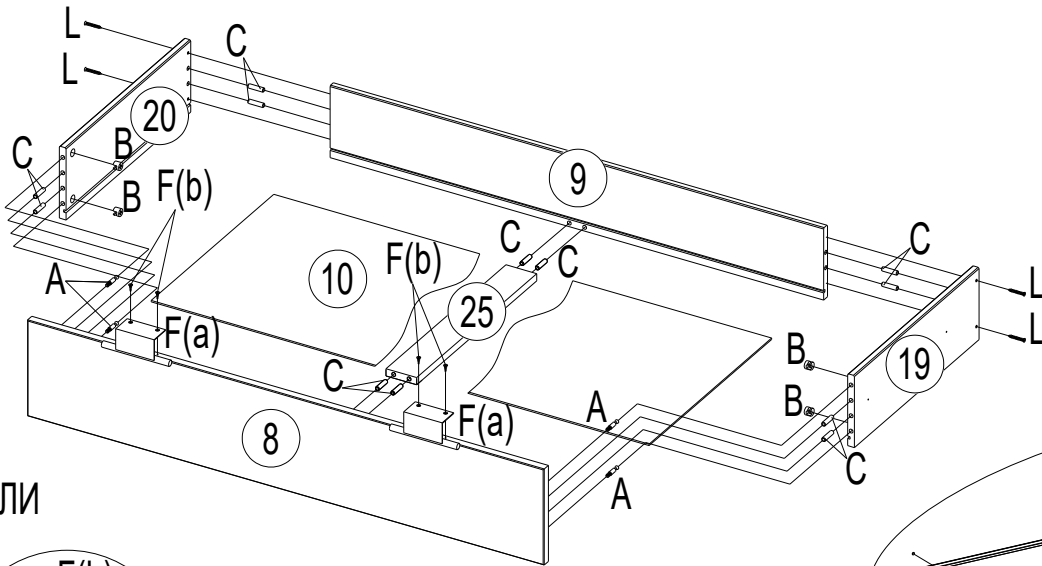
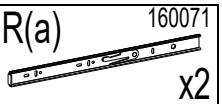
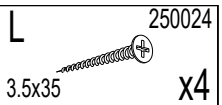
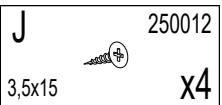
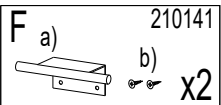
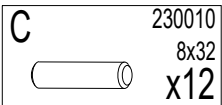
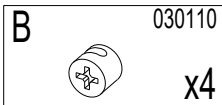
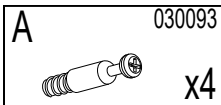
N 240067
x2



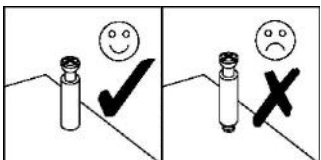
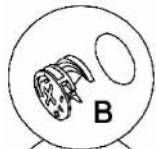
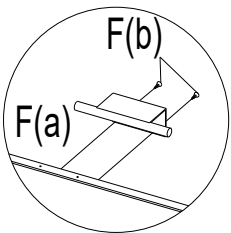
13b



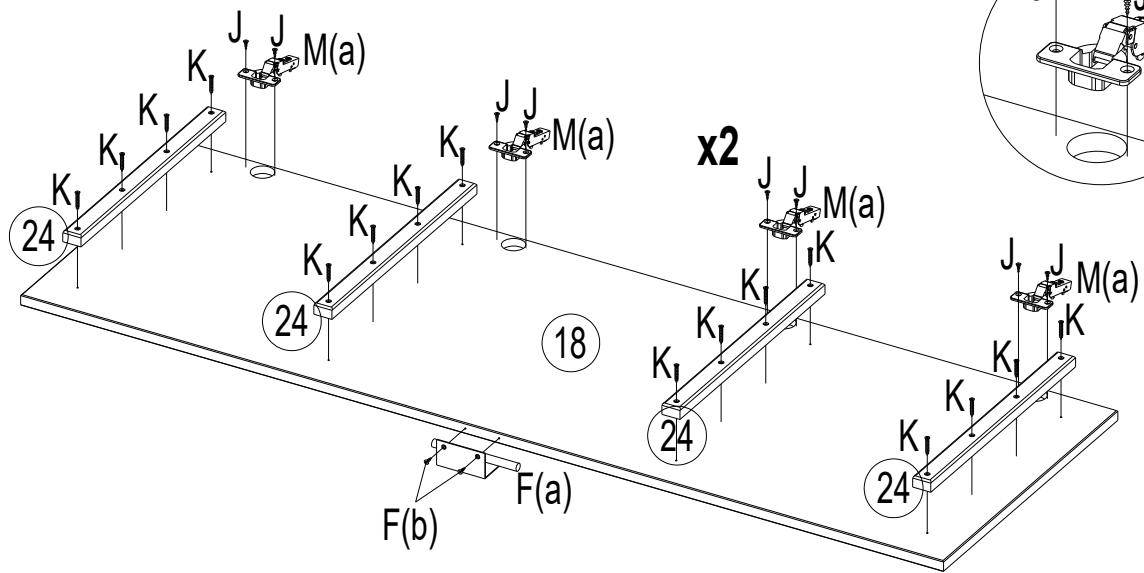
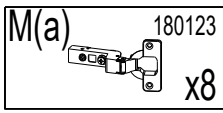
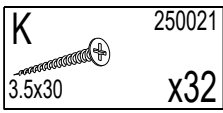
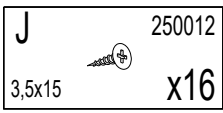
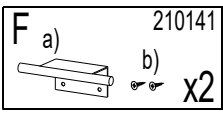
14



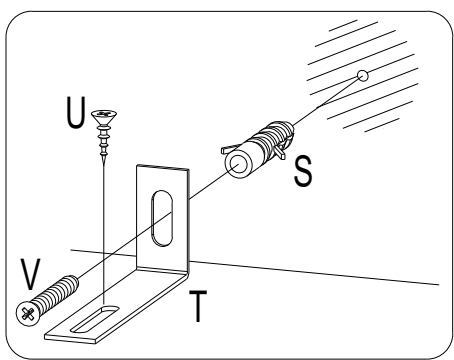
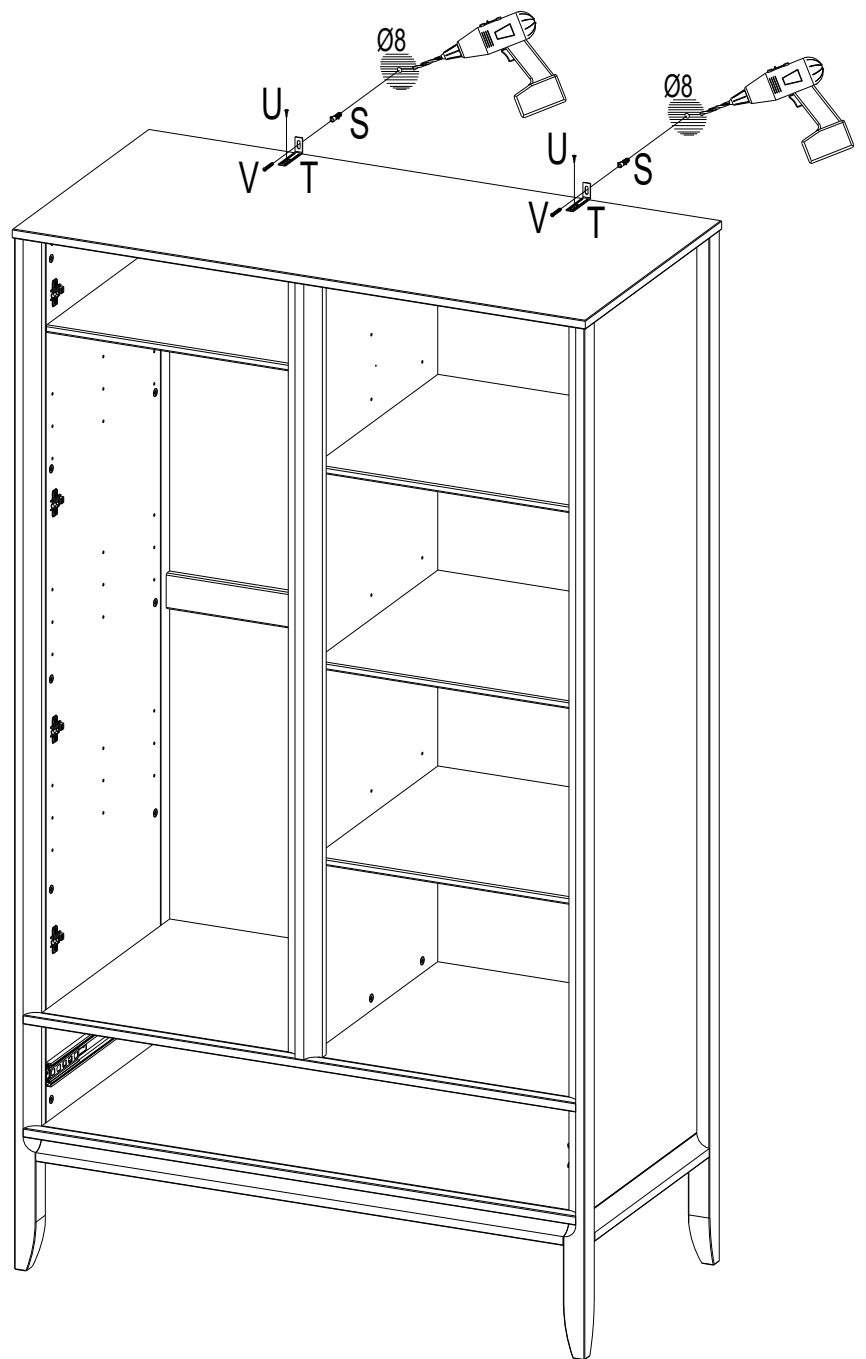
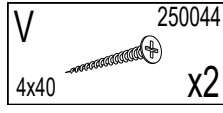
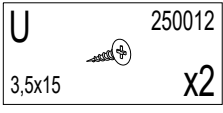
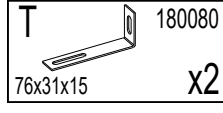
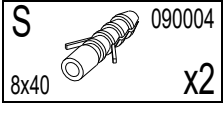
ИЛИ



15



16a



17

J 250012
3,5x15 x2

P
526
x1

