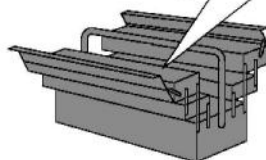
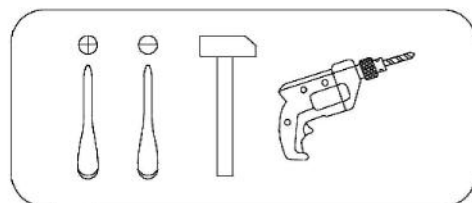
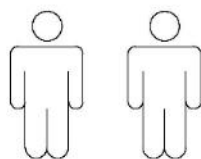
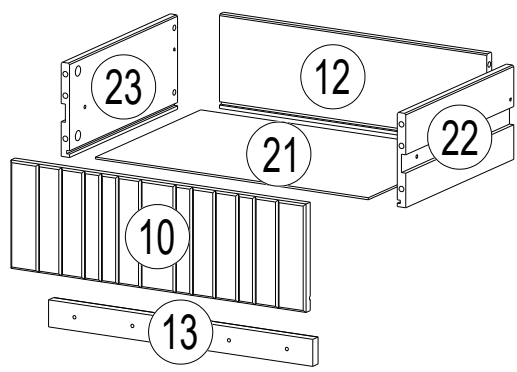
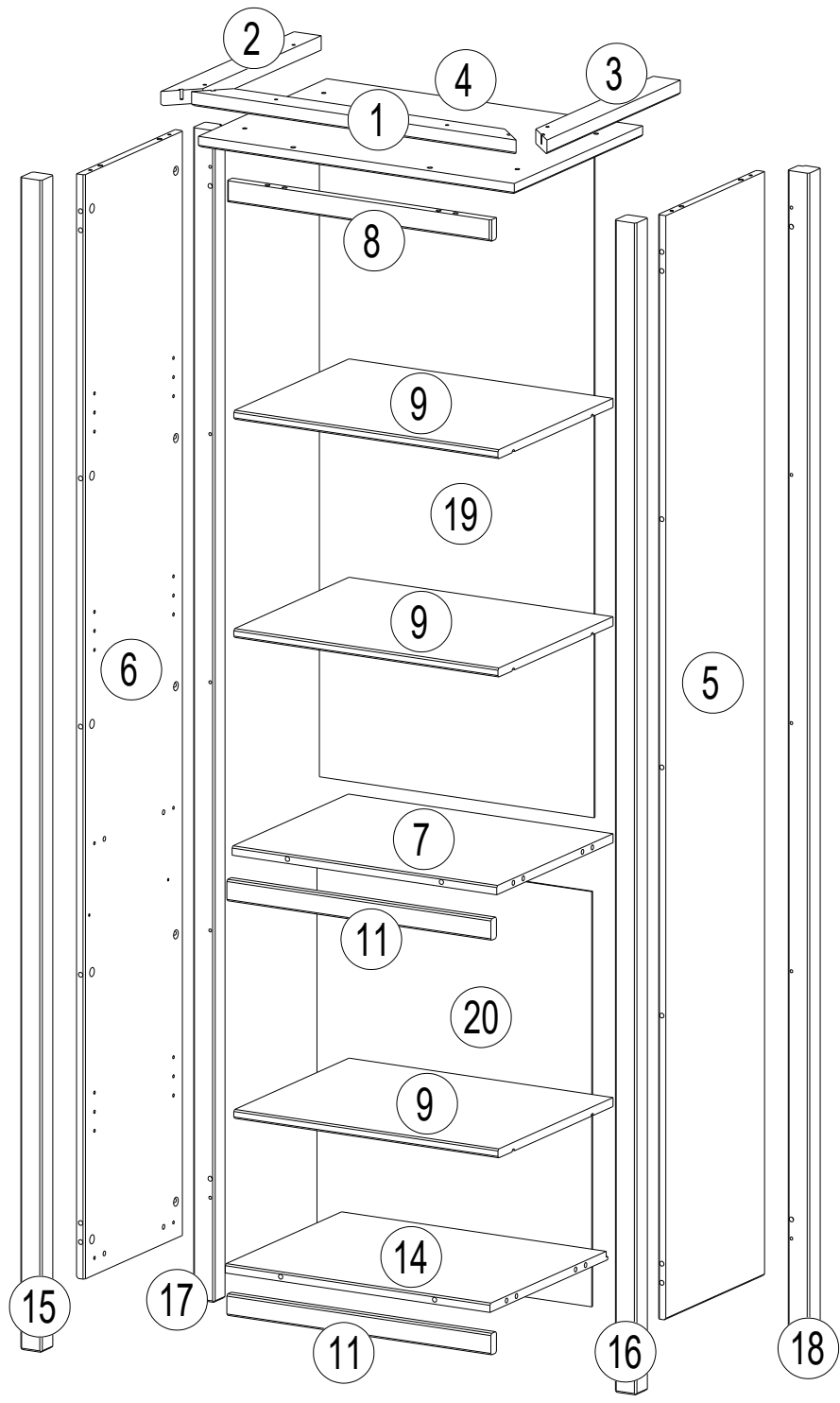
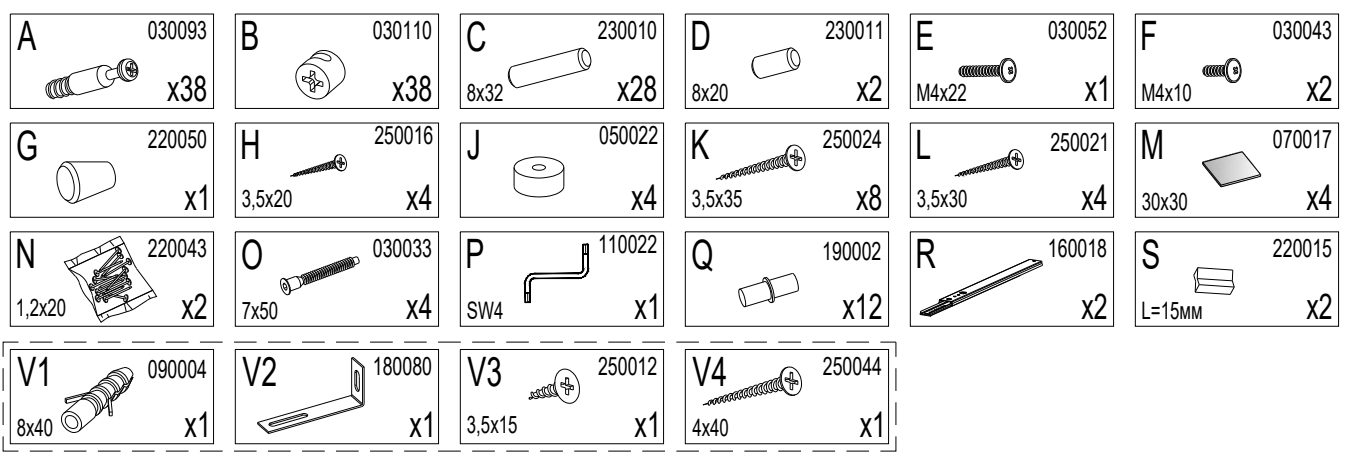


- | | |
|---------------------------------------|-----------------------------------|
| D Montageanleitung | GB Assembly instructions |
| FR Notice de montage | IT Istruzioni di montaggio |
| NL Handleiding voor de montage | PL Instrukcja montażu |
| CZ Montážní návod | SK Návod na montáž |
| HU Szerelési útmutató | RO Instrucțiuni de montaj |
| TR Montaj talimatı | RU Инструкция по монтажу |



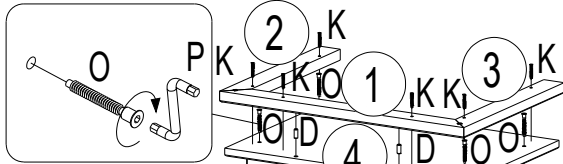


0
10
20
30
40
50
60
70
80
90
100
110
120
130
140
150
160
170
180



| No | Size/MaB (mm) | Qty | ✓ | No | Size/MaB (mm) | Qty | ✓ |
|----|---------------|-----|---|----|---------------|-----|---|
| 1 | 607x50x24 | 1 | | 13 | 438x40x18 | 1 | |
| 2 | 432x50x24 | 1 | | 14 | 495x382x15 | 1 | |
| 3 | 432x50x24 | 1 | | 15 | 1965x40x40 | 1 | |
| 4 | 591x416x18 | 1 | | 16 | 1965x40x40 | 1 | |
| 5 | 1851x320x15 | 1 | | 17 | 1965x40x40 | 1 | |
| 6 | 1851x320x15 | 1 | | 18 | 1965x40x40 | 1 | |
| 7 | 495x377x15 | 1 | | 19 | 1131x514x3 | 1 | |
| 8 | 494x36x18 | 1 | | 20 | 696x514x3 | 1 | |
| 9 | 494x373x15 | 3 | | 21 | 452x302x3 | 1 | |
| 10 | 161x489x18 | 1 | | 22 | 310x140x14 | 1 | |
| 11 | 494x36x18 | 2 | | 23 | 310x140x14 | 1 | |
| 12 | 443x140x14 | 1 | | 24 | | | |

7

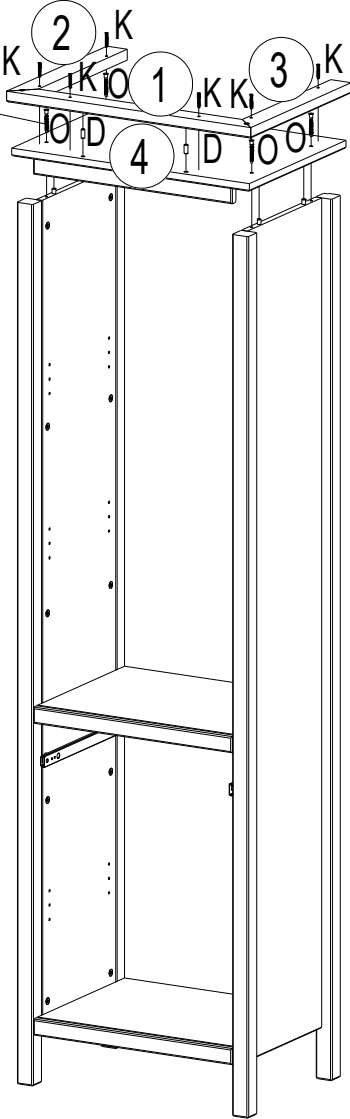


D 230011
8x20 x2

O 030033
7x50 x4

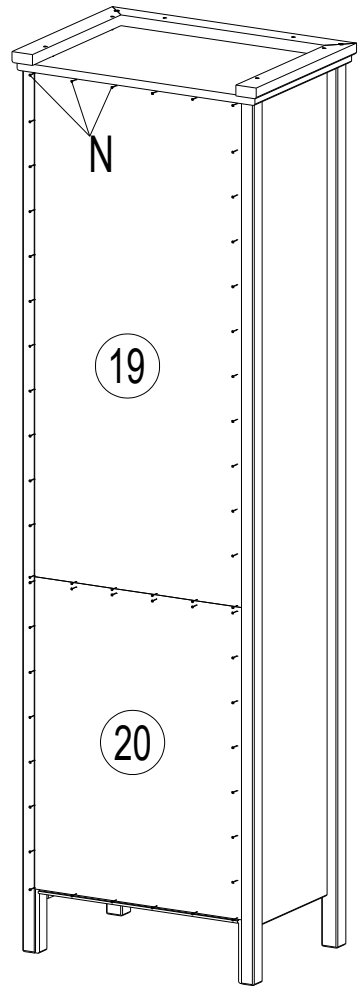
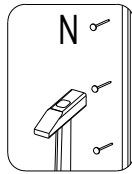
P 110022
SW4 x1

K 250024
3,5x35 x6



8

N 220043
1,2x20 x2



9

A 030093 x4

B 030110 x4

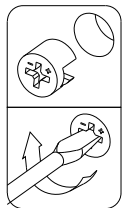
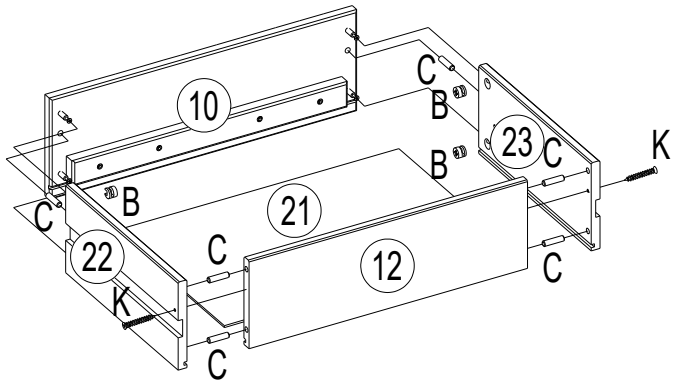
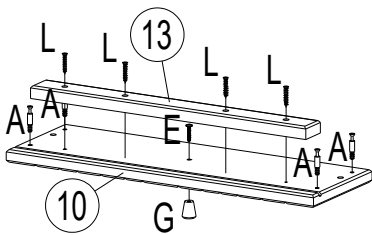
C 230010
8x32 x6

E 030052
M4x22 x1

G 210131 x1

K 250024
3,5x35 x2

L 250021
3,5x30 x4



10

F 030043
M4x10 x2

Q 190002
x12

V1 090004
8x40 x1

V2 180080
x1

V3 250012
3,5x15 x1

V4 250044
4x40 x1

