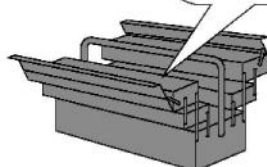
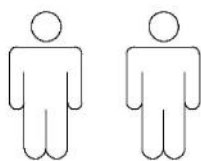
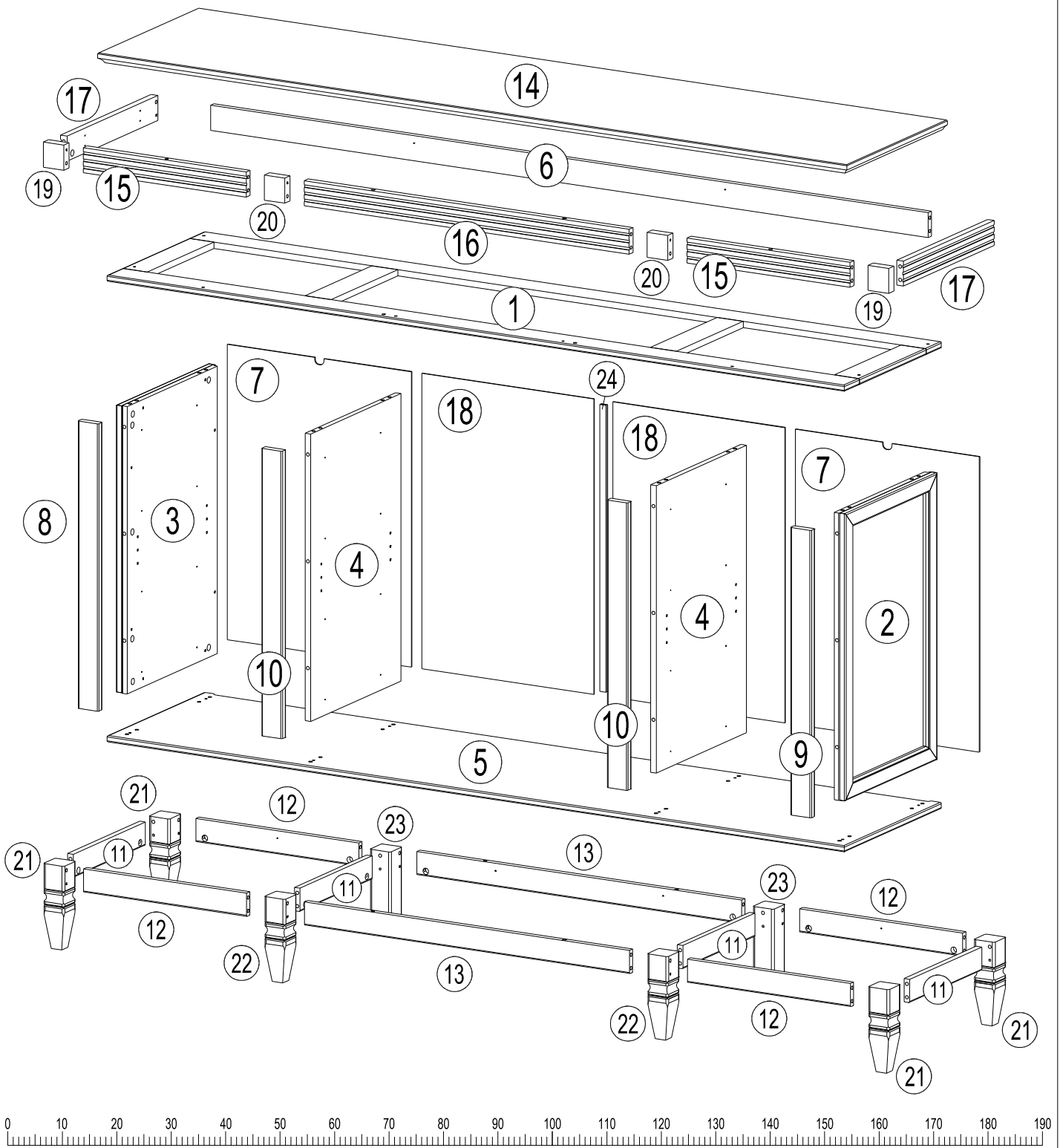


- | | |
|---------------------------------------|------------------------------------|
| D Montageanleitung | GB Assembly instructions |
| FR Notice de montage | IT Istruzioni di montaggio |
| NL Handleiding voor de montage | PL Instrukcja montażu |
| CZ Montážní návod | SK Návod na montáž |
| HU Szerelési útmutató | RO Instrucțiunile de montaj |
| TR Montaj talimatı | RU Инструкция по монтажу |



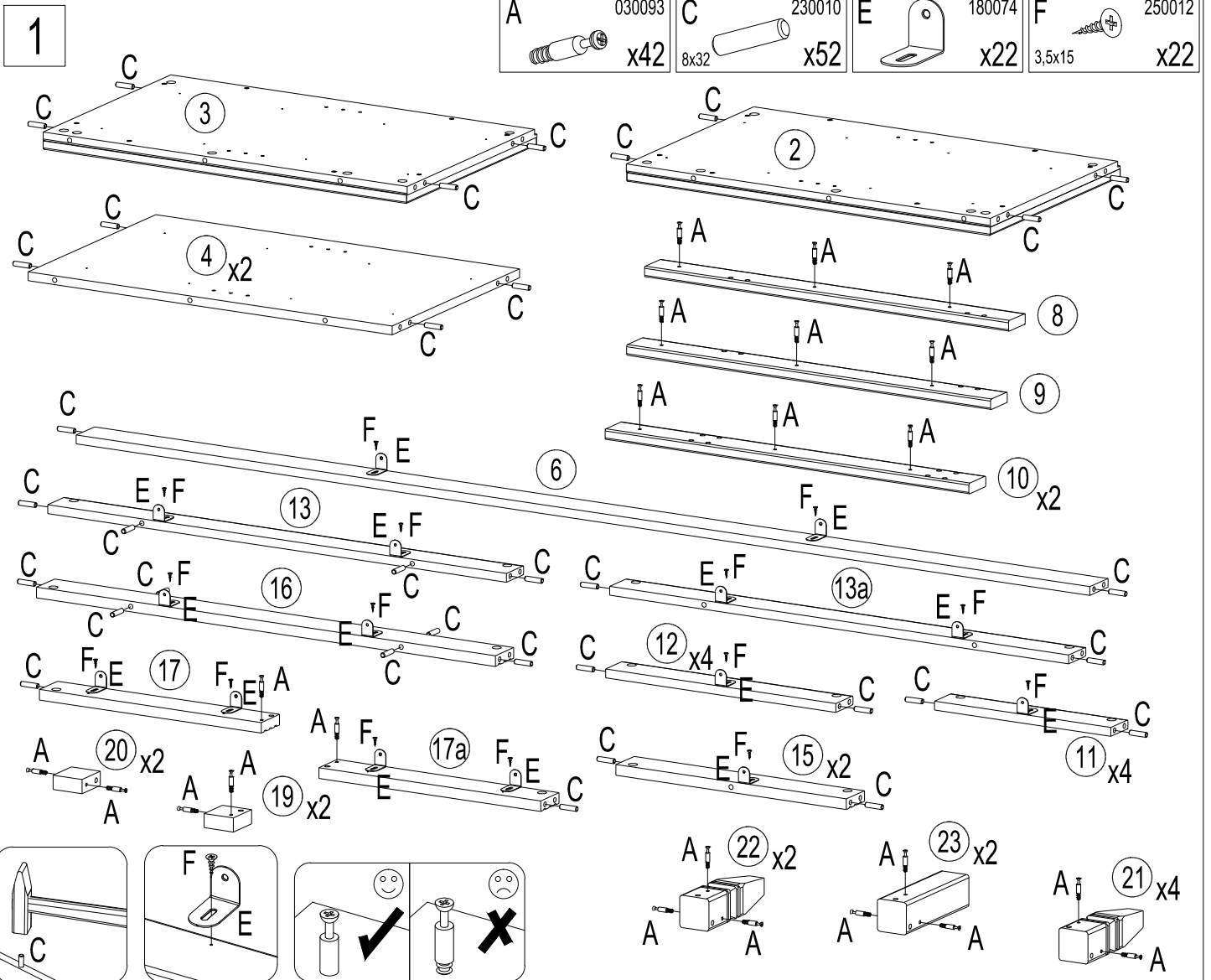
1-6

EAC



A	030093 x58	B	030110 15x11 x58	C	230010 8x32 x52	D	220043 1,2x20 x4	E	180074 x22	F	250012 3,5x15 x44
G	250024 3,5x35 x16	H	070017 30x30 x8	I	090004 8x40 x2	J	180080 76x31x15 x2	K	250012 3,5x15 x2	L	250044 4x40 x2

No	Size/MaB (mm)	Qty	✓	No	Size/MaB (mm)	Qty	✓
1	1972x449x15	1		13	869x56x15	2	
2	689x426x30	1		14	2004x465x24	1	
3	689x426x30	1		15	436x60x18	2	
4	689x418x15	2		16	869x60x18	1	
5	1972x449x15	1		17	420x60x18	2	
6	1919x60x15	1		18	706x461x3	2	
7	706x491x3	2		19	55x60x24	2	
8	689x55x18	1		20	55x60x24	2	
9	689x55x18	1		21	205x55x55	4	
10	689x55x18	2		22	205x55x55	2	
11	334x56x15	4		23	205x55x55	2	
12	436x56x15	4		24	688x17x7	1	



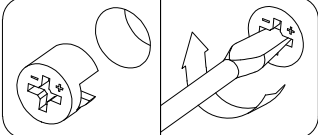
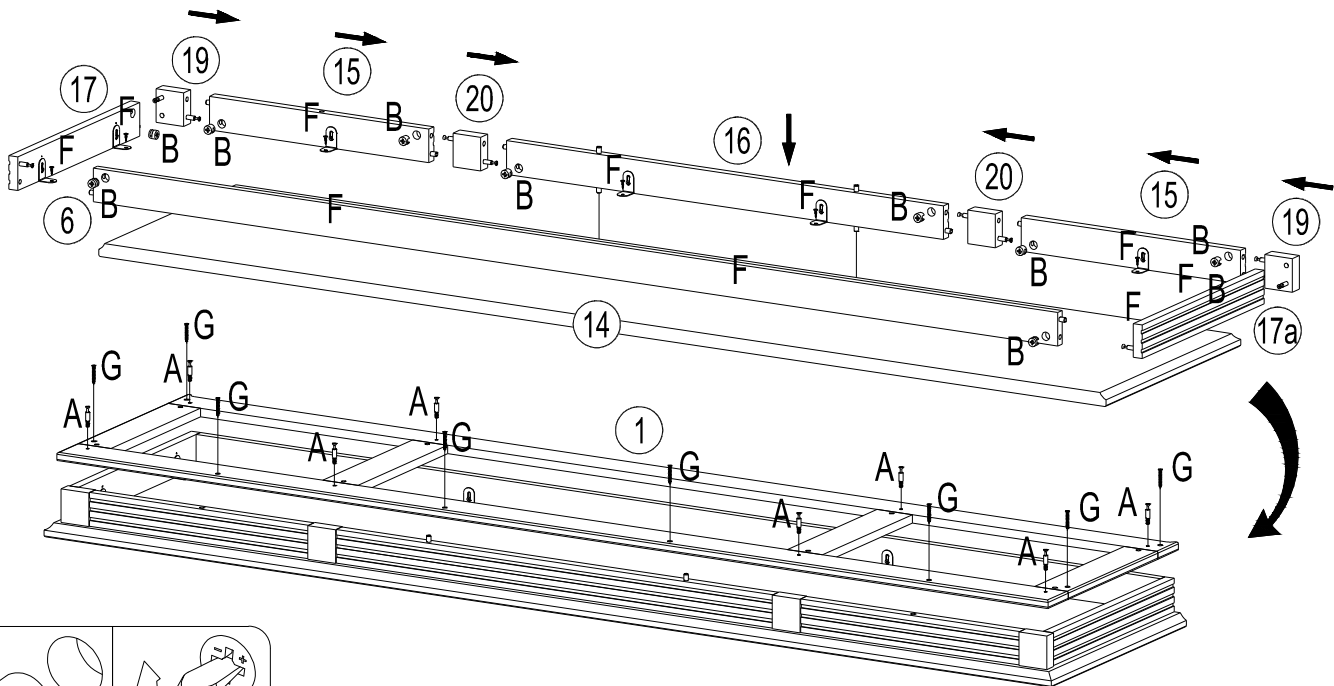
2

A 030093 x8

B 030110 15x11 x10

F 250012 3,5x15 x10

G 250024 3,5x35 x8



3

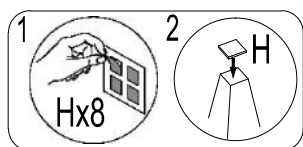
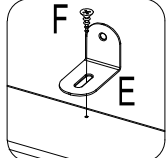
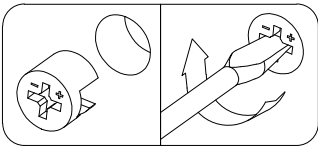
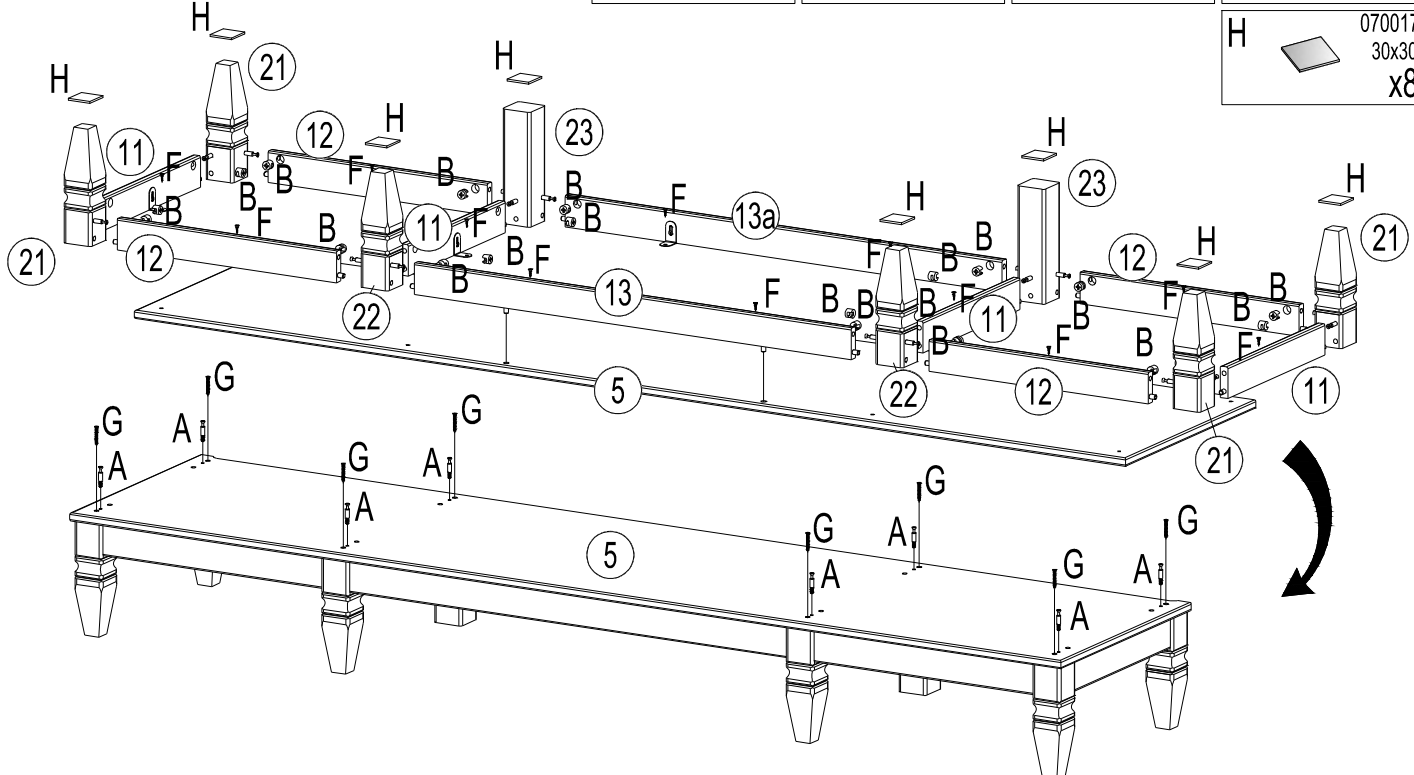
A 030093 x8

B 030110 15x11 x20

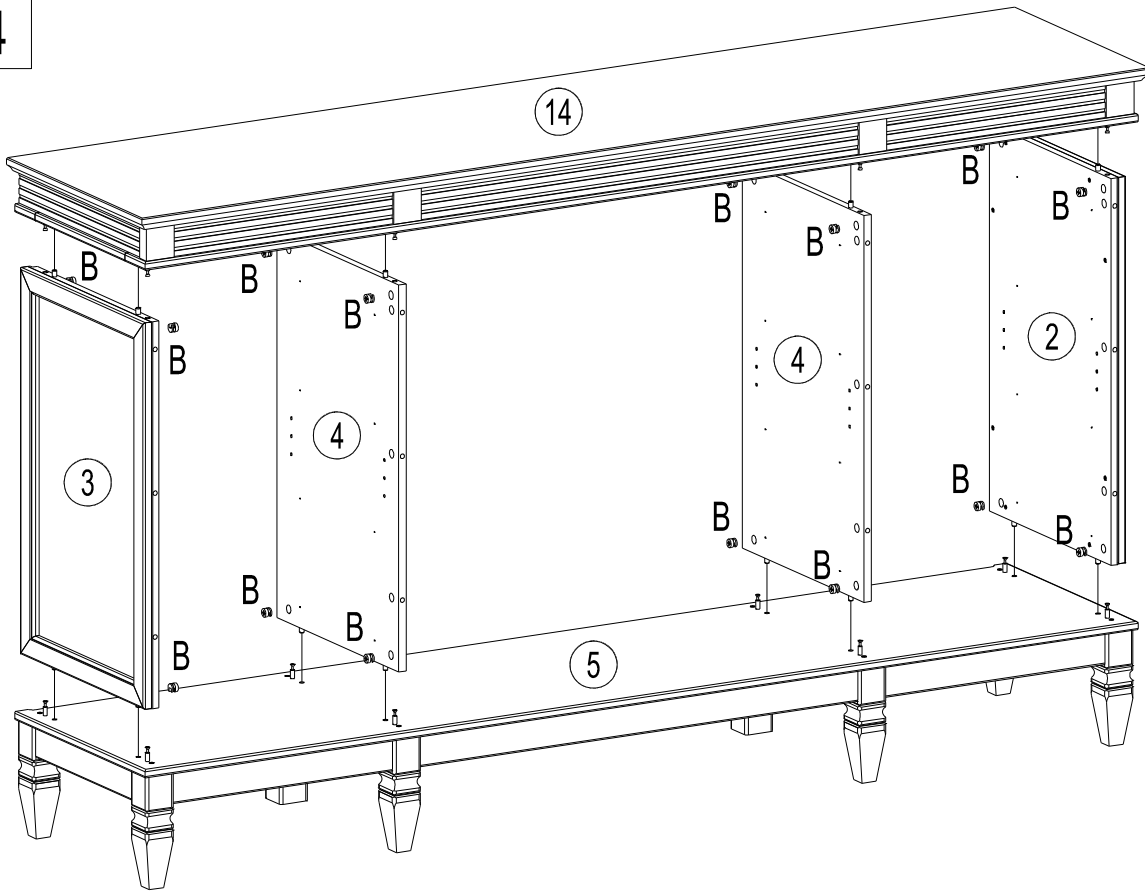
F 250012 3,5x15 x12

G 250024 3,5x35 x8

H 070017 30x30 x8

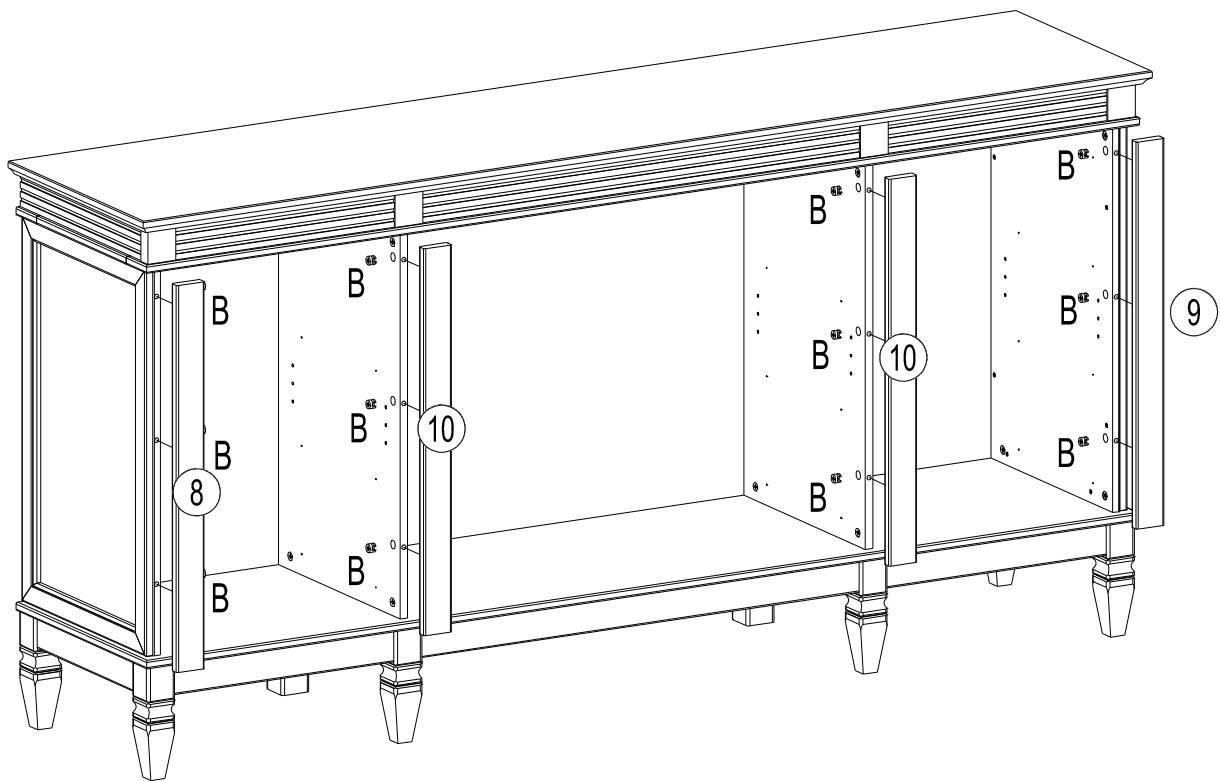


4



B 030110
15x11 x16

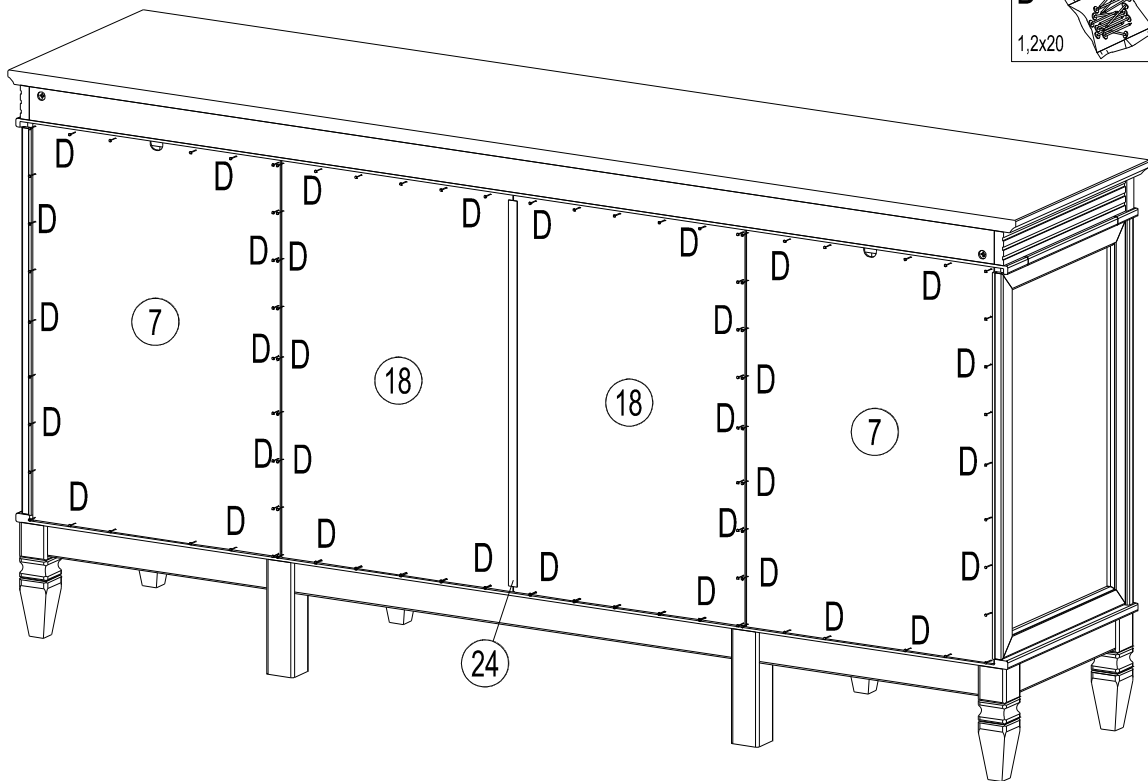
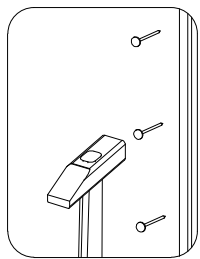
5



B 030110
15x11 x12

6

D 220043
1,2x20 x4



7

I 090004
8x40 x2

J 180080
76x31x15 x2

K 250012
3,5x15 x2

L 250044
4x40 x2

