



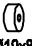



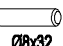
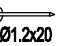


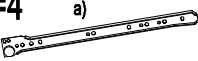
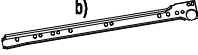
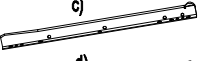

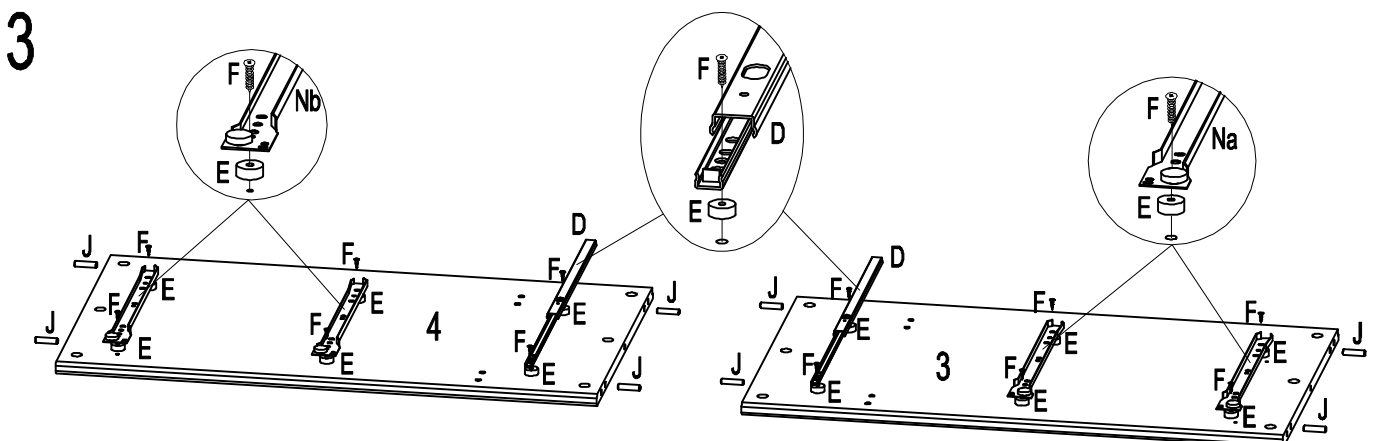
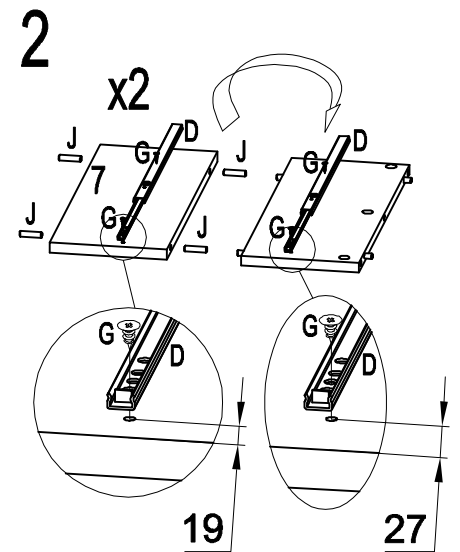
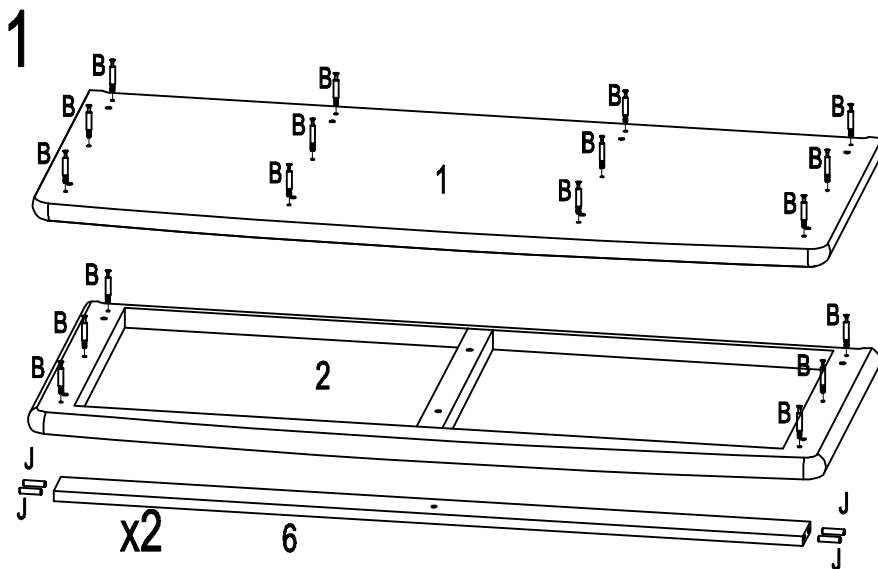
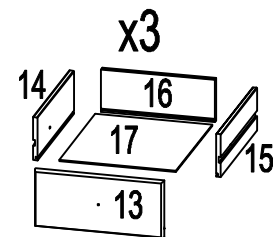
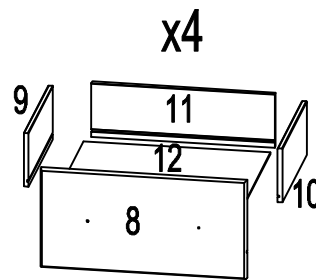
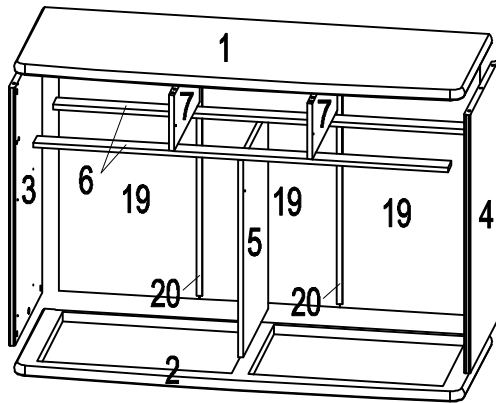
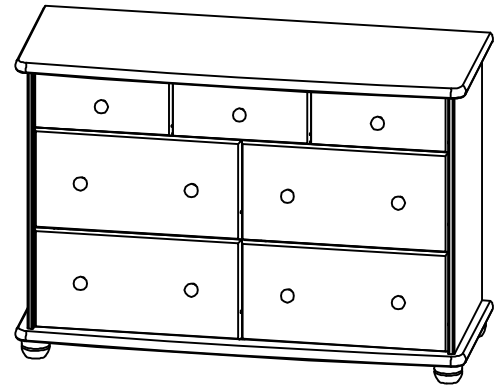


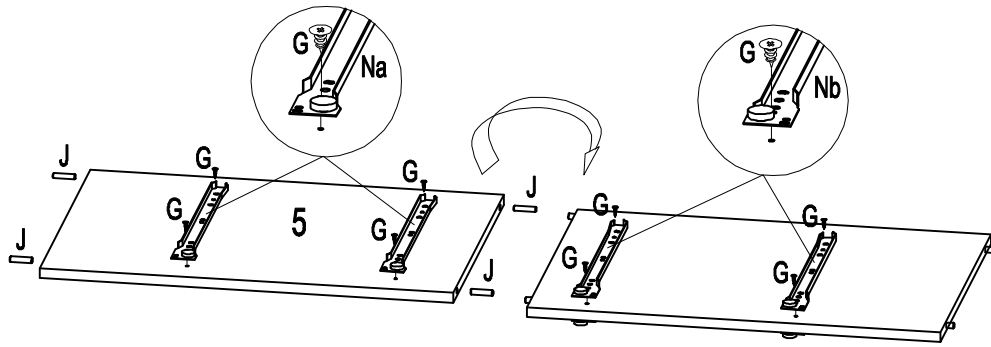
# NOTICE MONTAGE COMMUNE 4+3

# ASSEMBLY INSTRUCTION CHEST OF DRAWERS 4+3

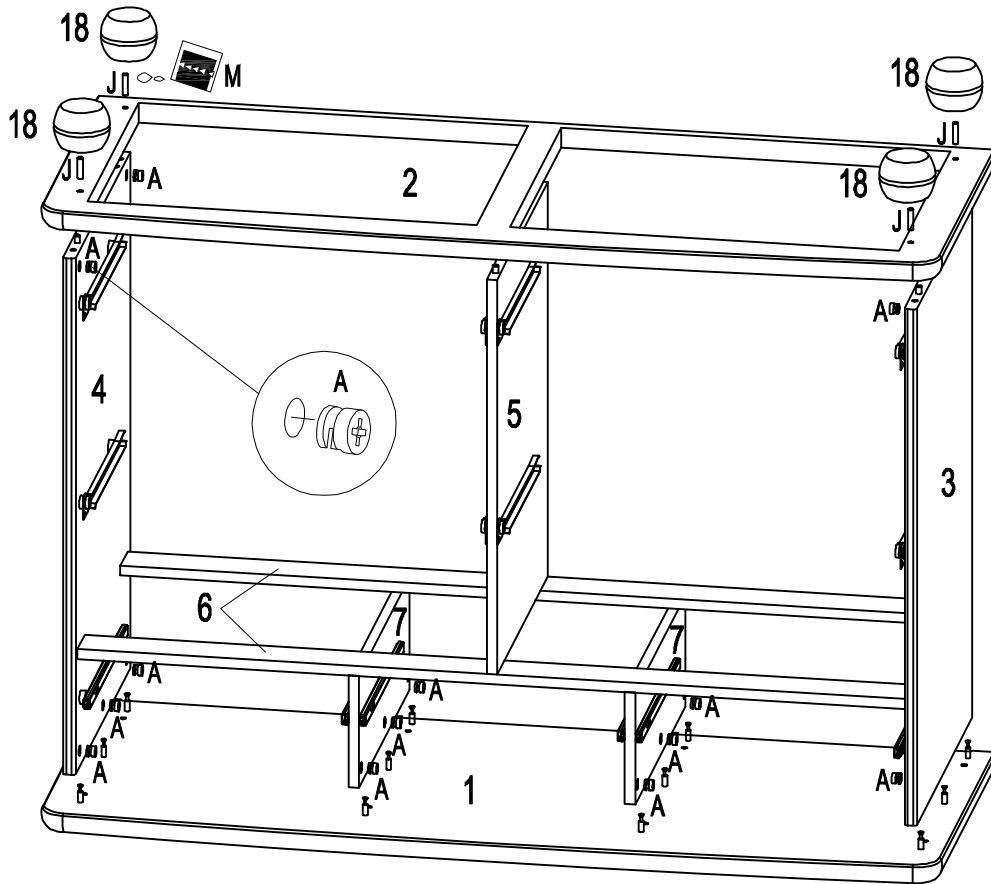
<b>A=40</b> 	<b>B=40</b> 	<b>C=6</b>  M4x10	<b>D=6</b> 		
<b>E=12</b>  Ø19x8	<b>F=12</b>  3.5x25	<b>G=32</b>  3.5x15	<b>H=33</b>  3.5x35	<b>J=88</b>  Ø8x32	<b>K=30</b>  Ø1.2x20
<b>L=11</b> 	<b>M=1</b> 	<b>N=4</b> a)  b) 		c)  d) 	



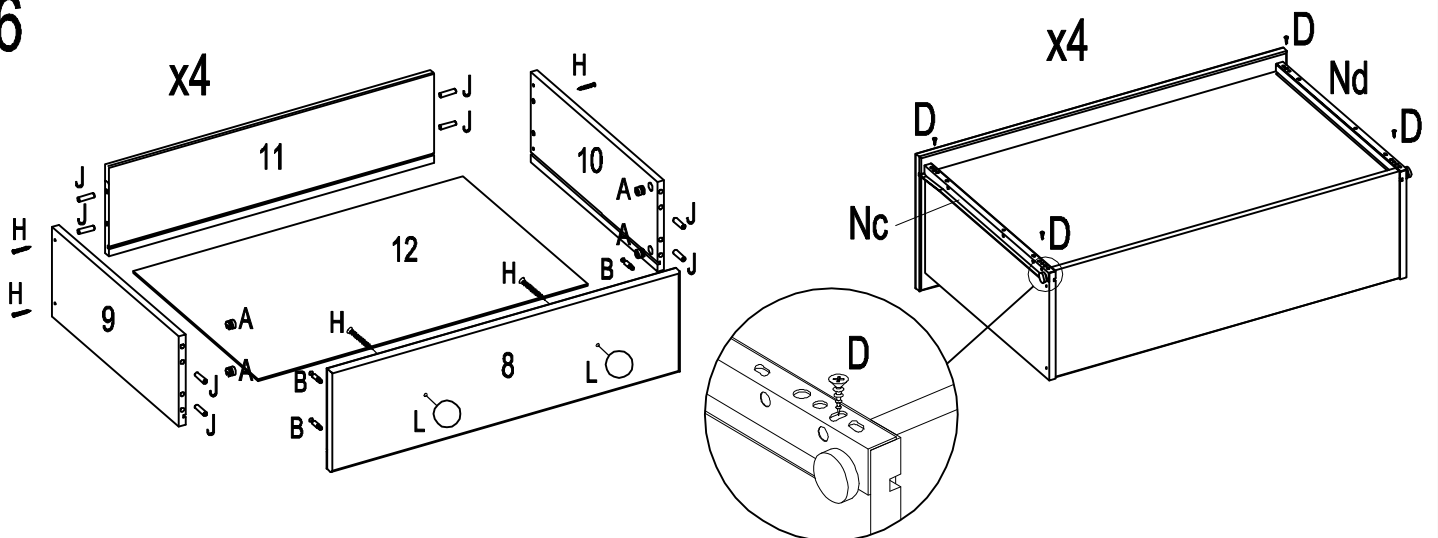
4



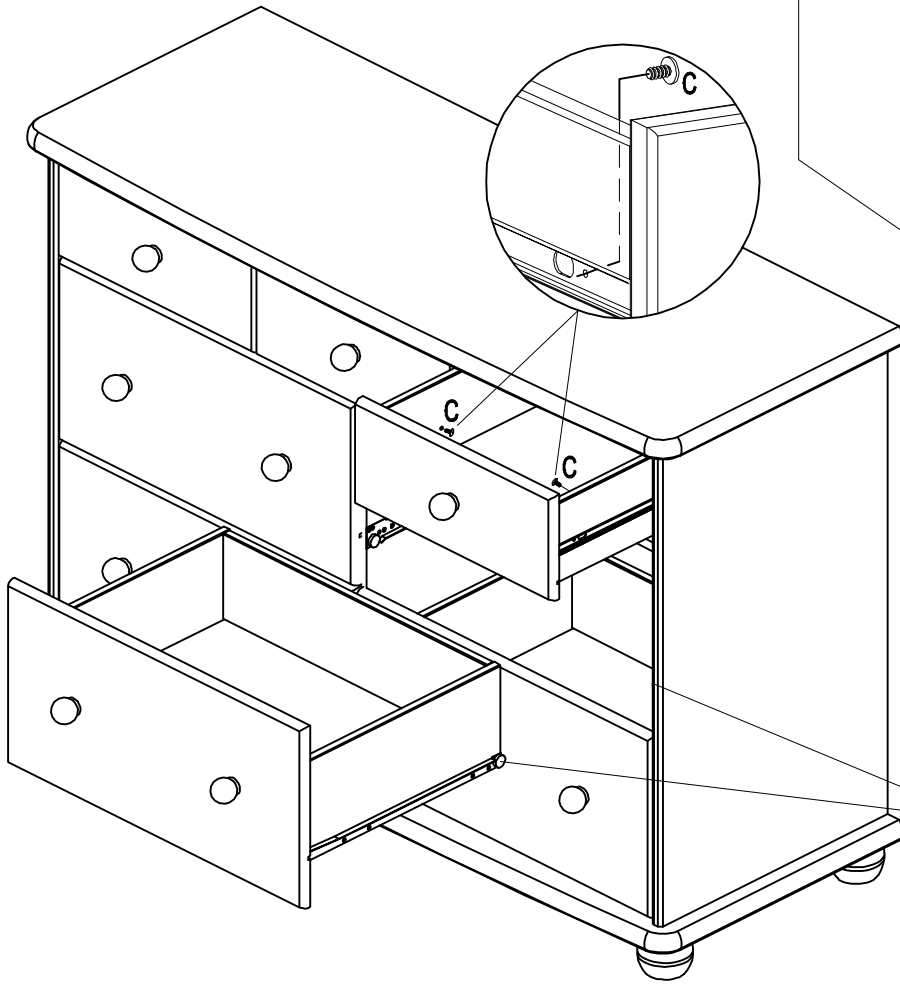
5



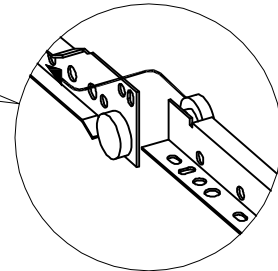
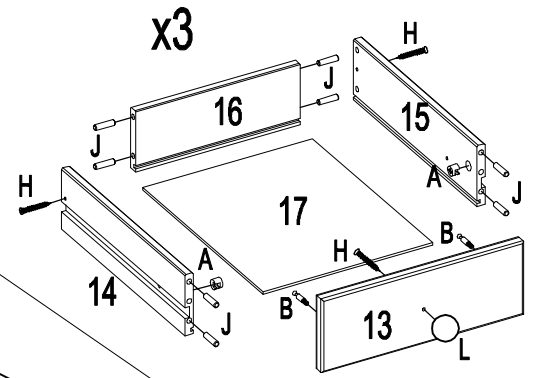
6



7



8



9

