
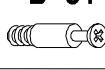


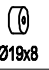




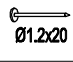


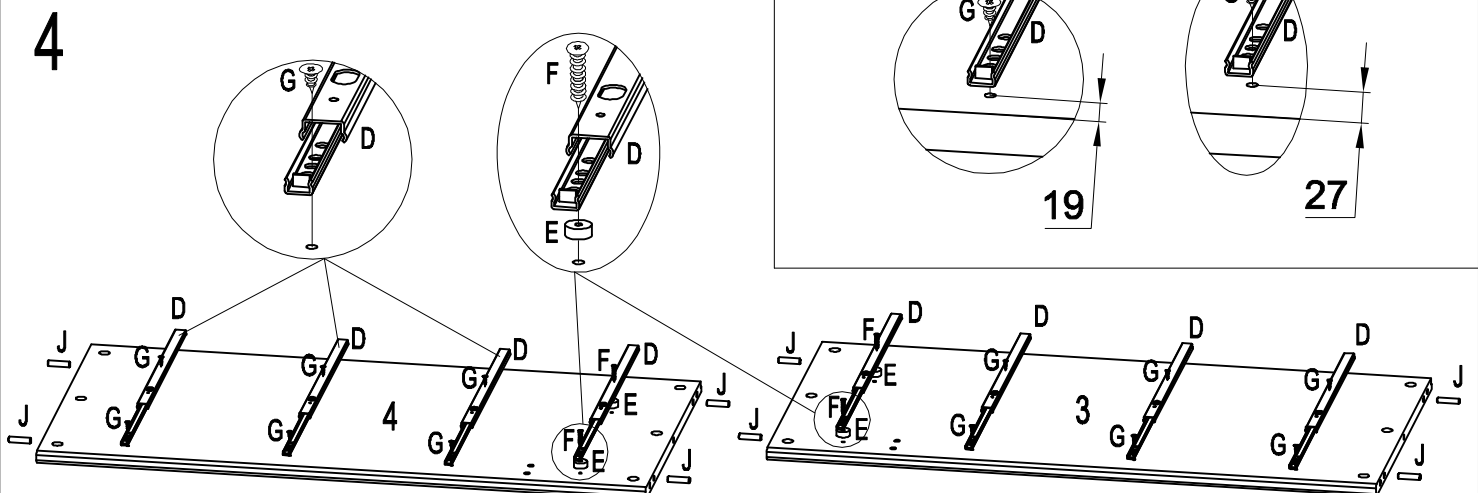
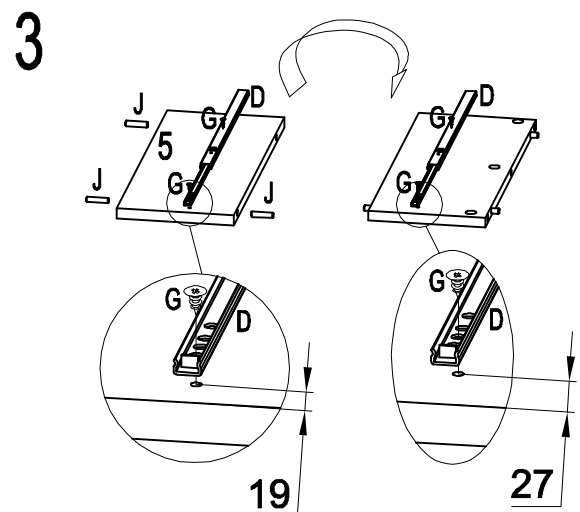
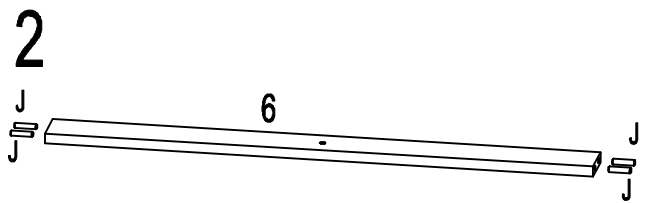
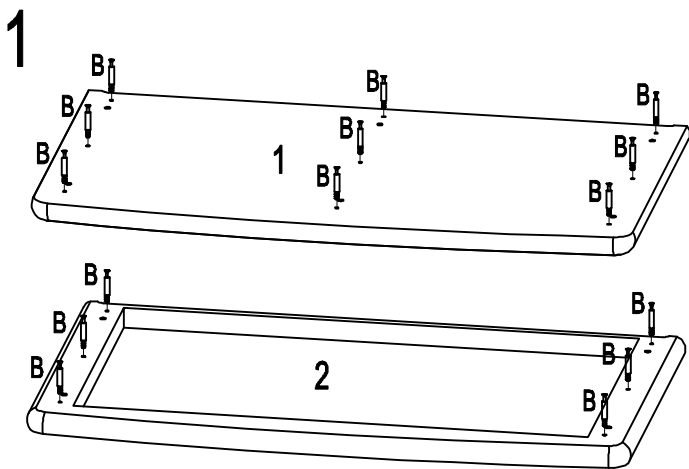
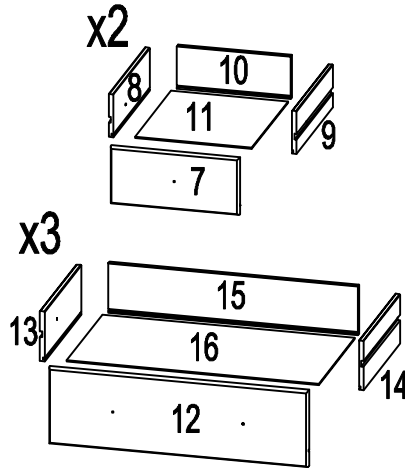
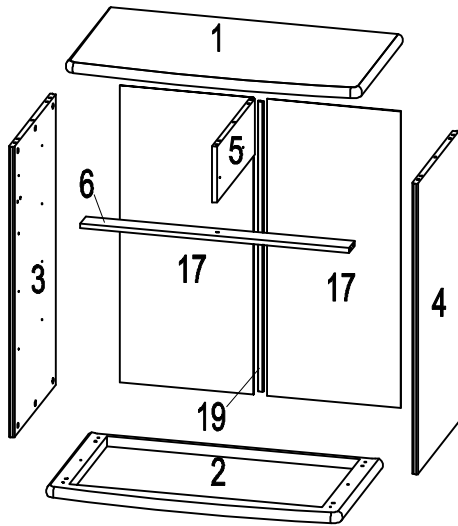
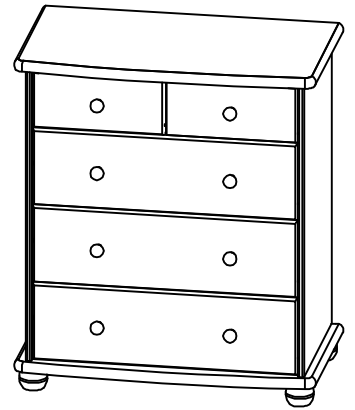


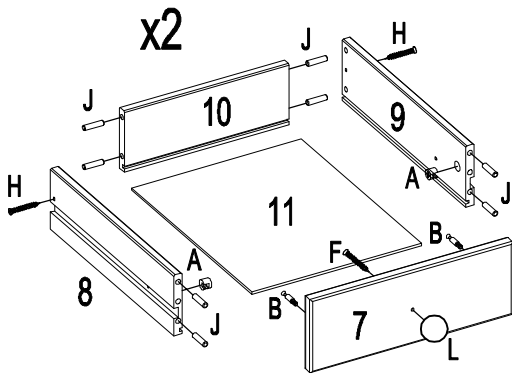
NOTICE MONTAGE COMMODE 3+2

ASSEMBLY INSTRUCTION CHEST OF DRAWERS 3+2

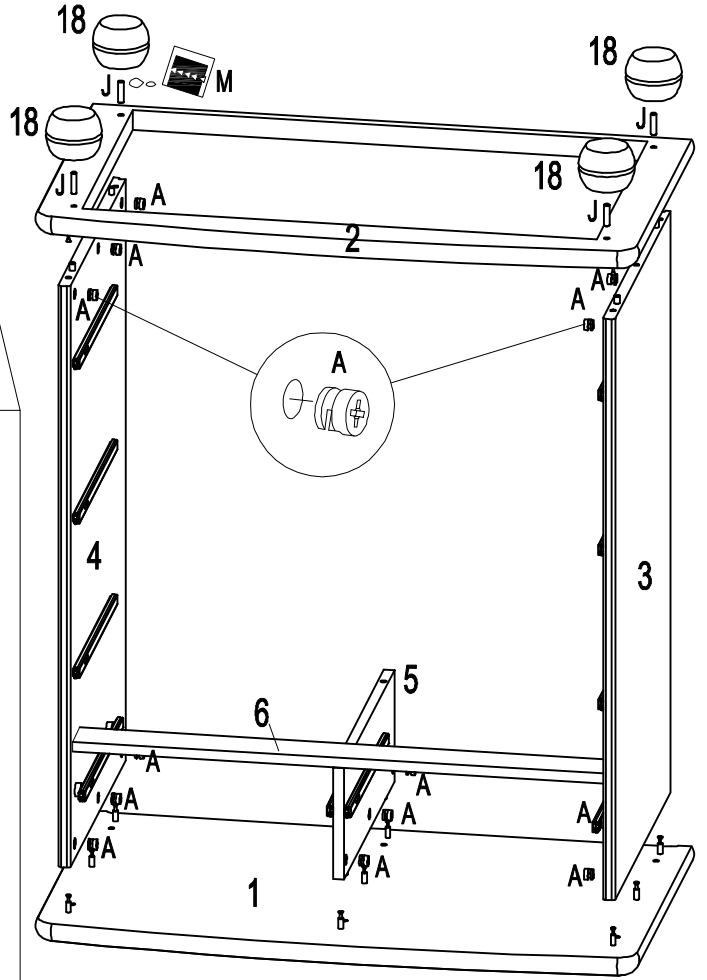
A=31 	B=31 	C=10  M4x10	D=10 	E=4  Ø19x8	F=4  3.5x25
G=16  3.5x15	H=24  3.5x35	J=59  Ø6x32	K=30  Ø1.2x20	L=8 	M=1 



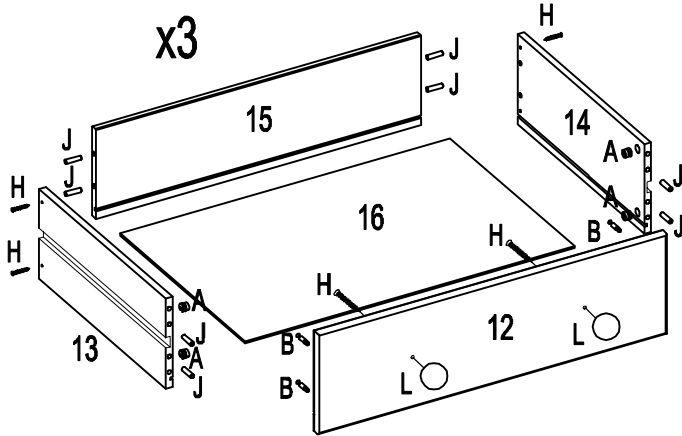
5



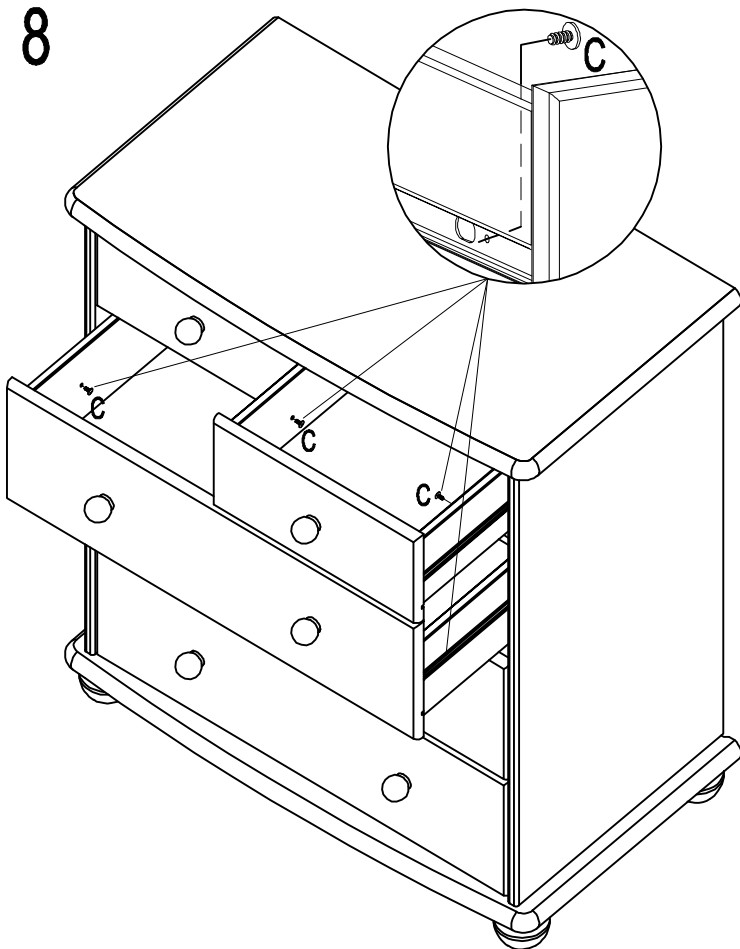
6



7



8



9

