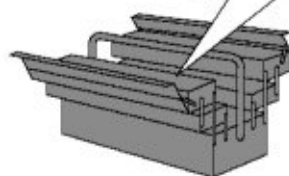
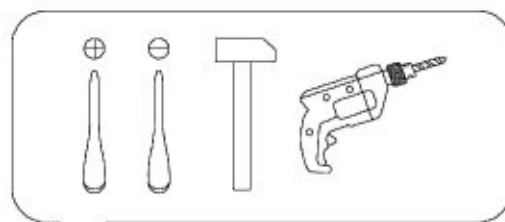
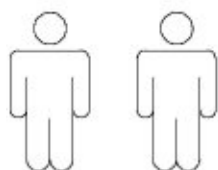
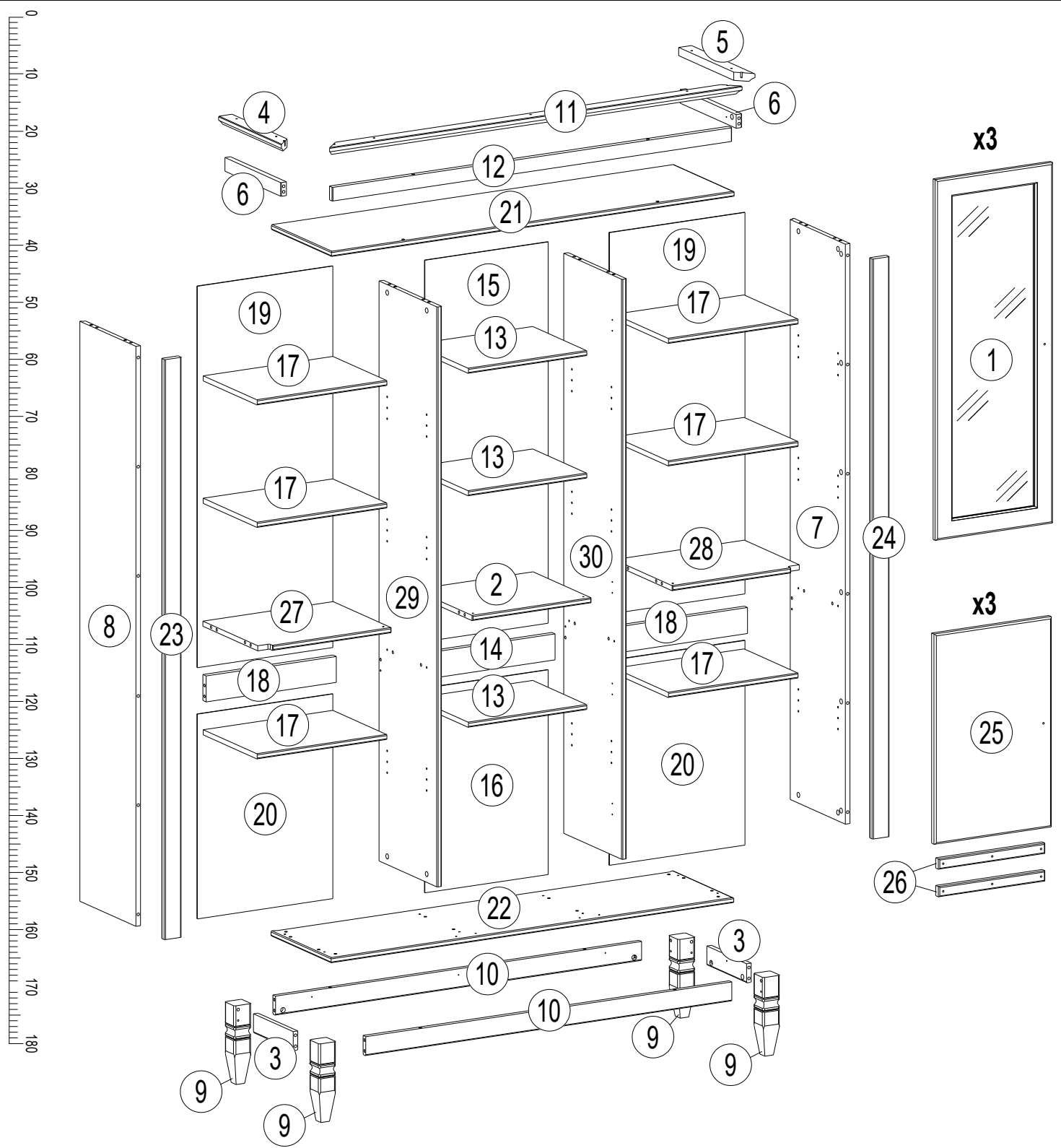








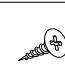
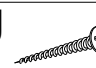

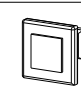

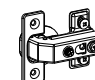
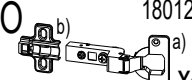

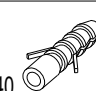
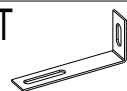




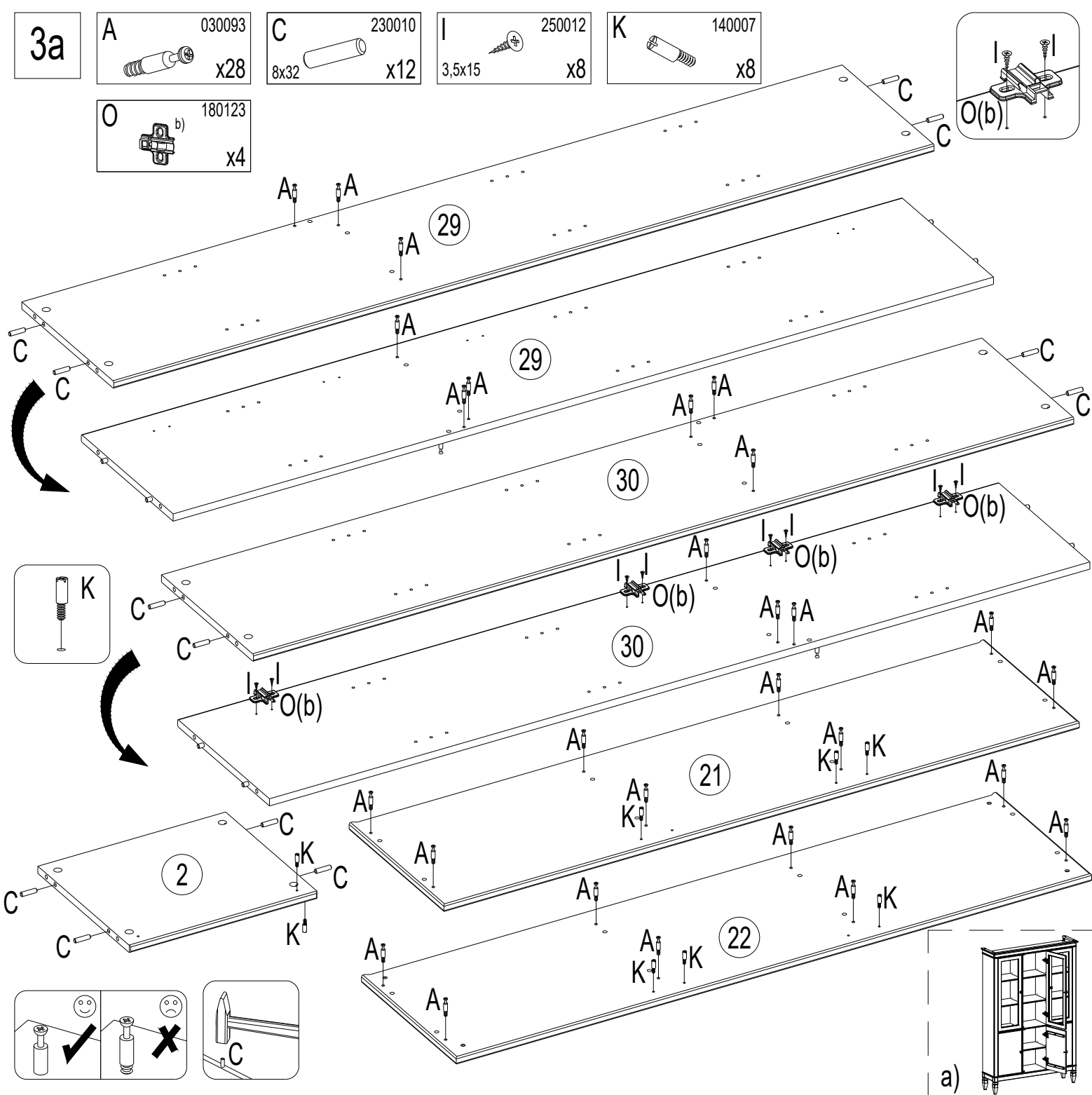
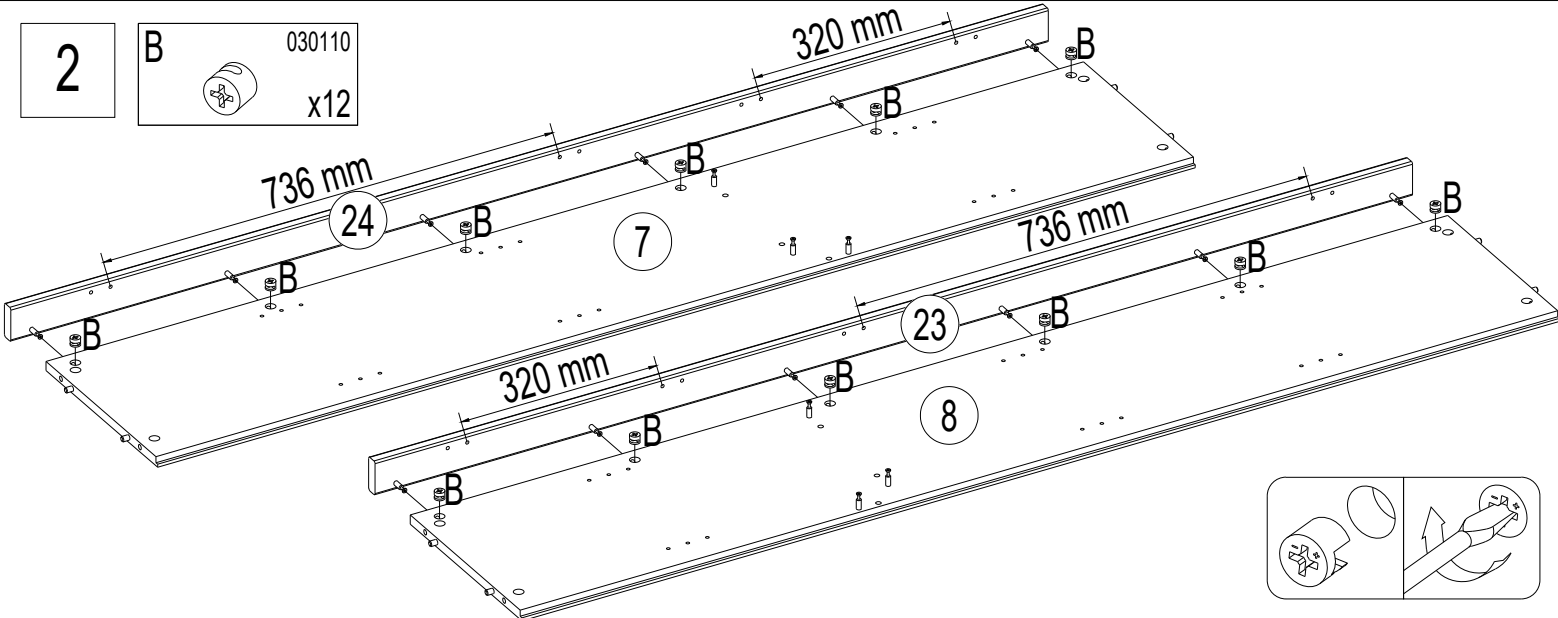
- |           |                                    |           |                                |
|-----------|------------------------------------|-----------|--------------------------------|
| <b>D</b>  | <b>Montageanleitung</b>            | <b>GB</b> | <b>Assembly instructions</b>   |
| <b>FR</b> | <b>Notice de montage</b>           | <b>IT</b> | <b>Istruzioni di montaggio</b> |
| <b>NL</b> | <b>Handleiding voor de montage</b> | <b>PL</b> | <b>Instrukcja montażu</b>      |
| <b>CZ</b> | <b>Montážní návod</b>              | <b>SK</b> | <b>Návod na montáž</b>         |
| <b>HU</b> | <b>Szerelési útmutató</b>          | <b>RO</b> | <b>Instrukțiuni de montaj</b>  |
| <b>TR</b> | <b>Montaj talimatı</b>             | <b>RU</b> | <b>Инструкция по монтажу</b>   |





<b>A</b>  030093 x56	<b>B</b>  030110 x56	<b>C</b>  8x32 x50	<b>D</b>  190002 x36	<b>E</b>  L=15MM 220018 x2	<b>F</b>  1,2x20 220043 x5
<b>G</b>  38x28x22 180074 x15	<b>H</b>  30x30 070017 x4	<b>I</b>  3,5x15 250012 x62	<b>J</b>  3,5x35 250024 x11	<b>K</b>  140007 x12	<b>L</b>  210118 x6
<b>M</b>  M4x22 030052 x6	<b>N</b>  180121 x8	<b>O</b>  180123 x4	<b>P</b>  3,5x30 250021 x18		
<b>S</b>  8x40 090004 x2	<b>T</b>  180080 x2	<b>U</b>  3,5x15 250012 x2	<b>V</b>  4x40 250044 x2		





3b

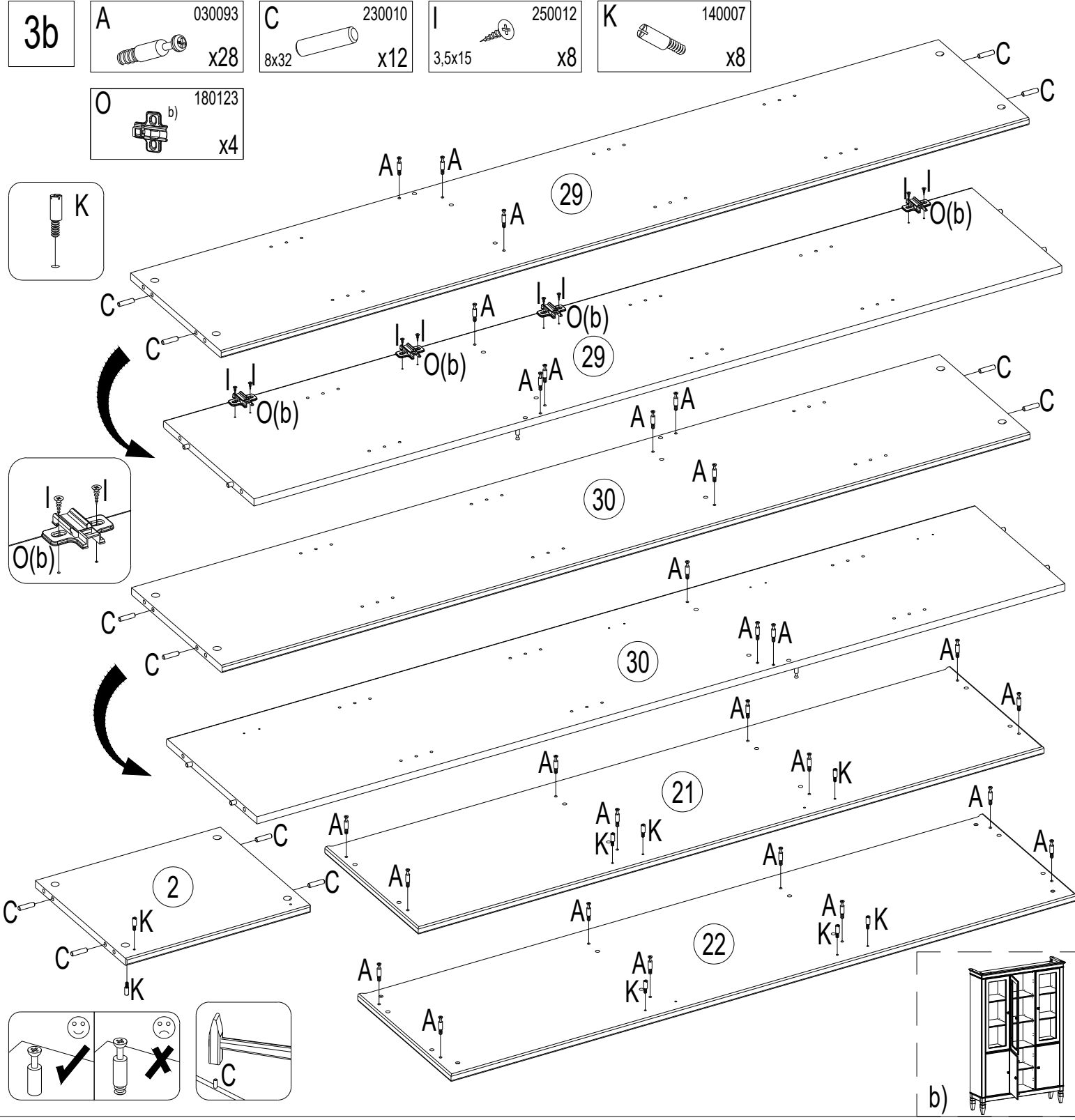
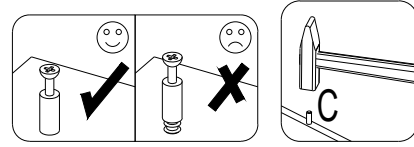
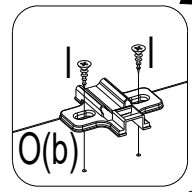
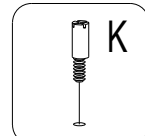
A 030093 x28

C 230010 8x32 x12

I 250012 3,5x15 x8

K 140007 x8

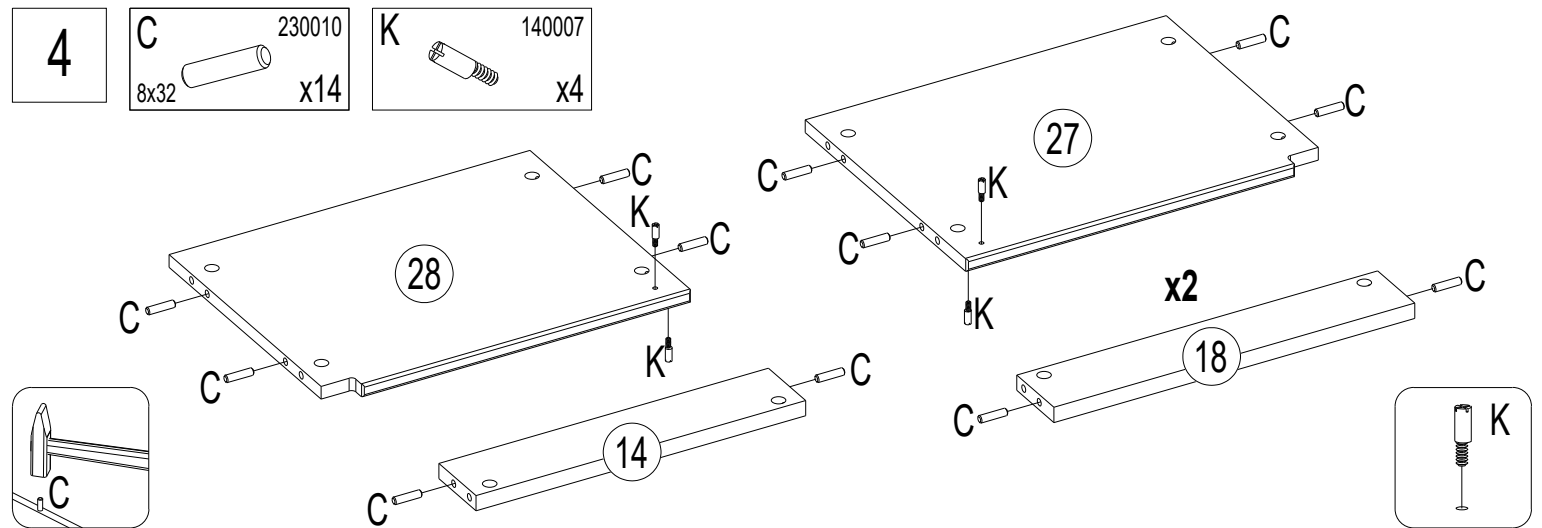
O 180123 x4



4

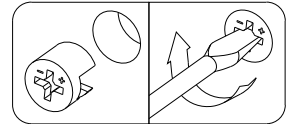
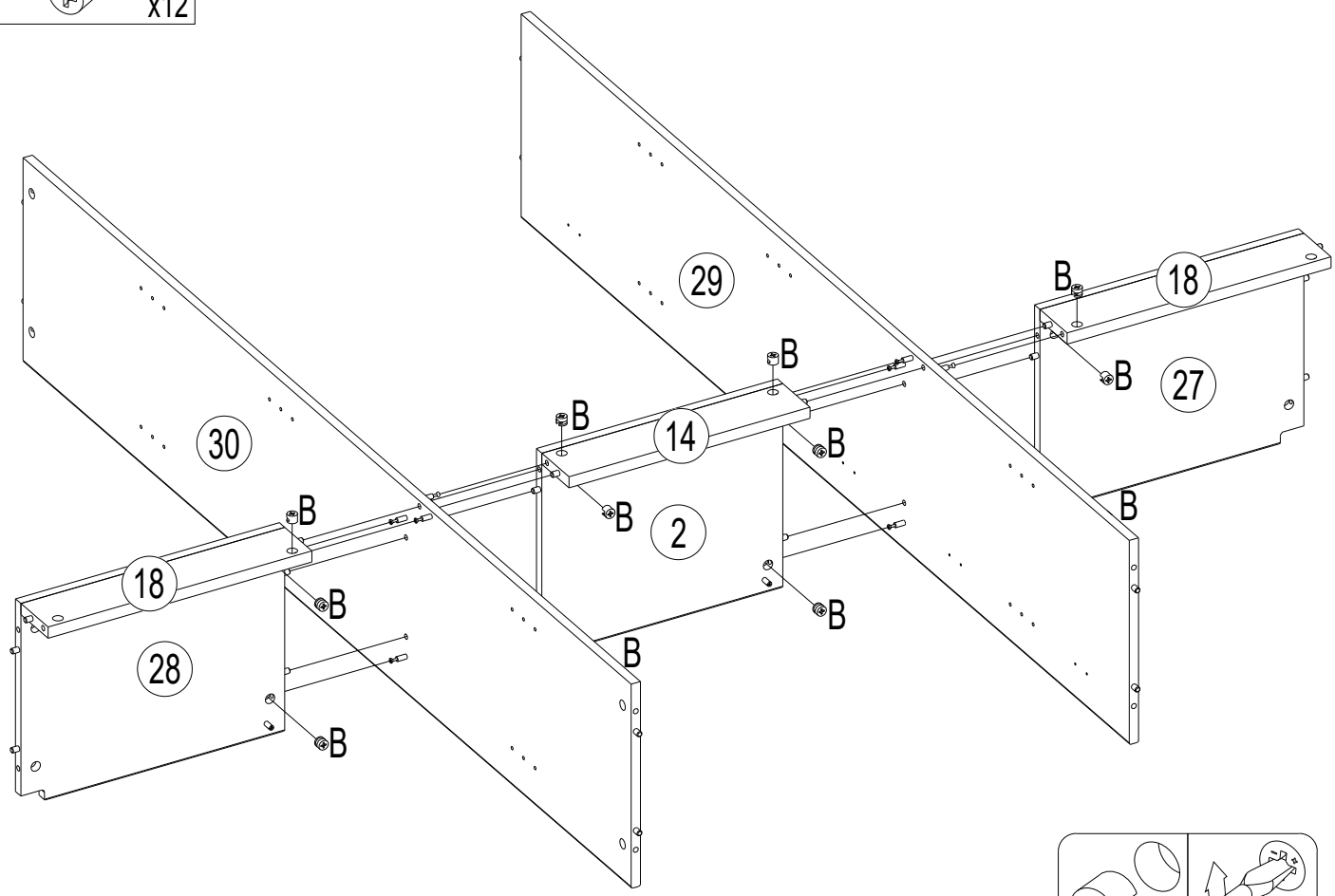
C 230010 8x32 x14

K 140007 x4



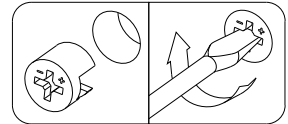
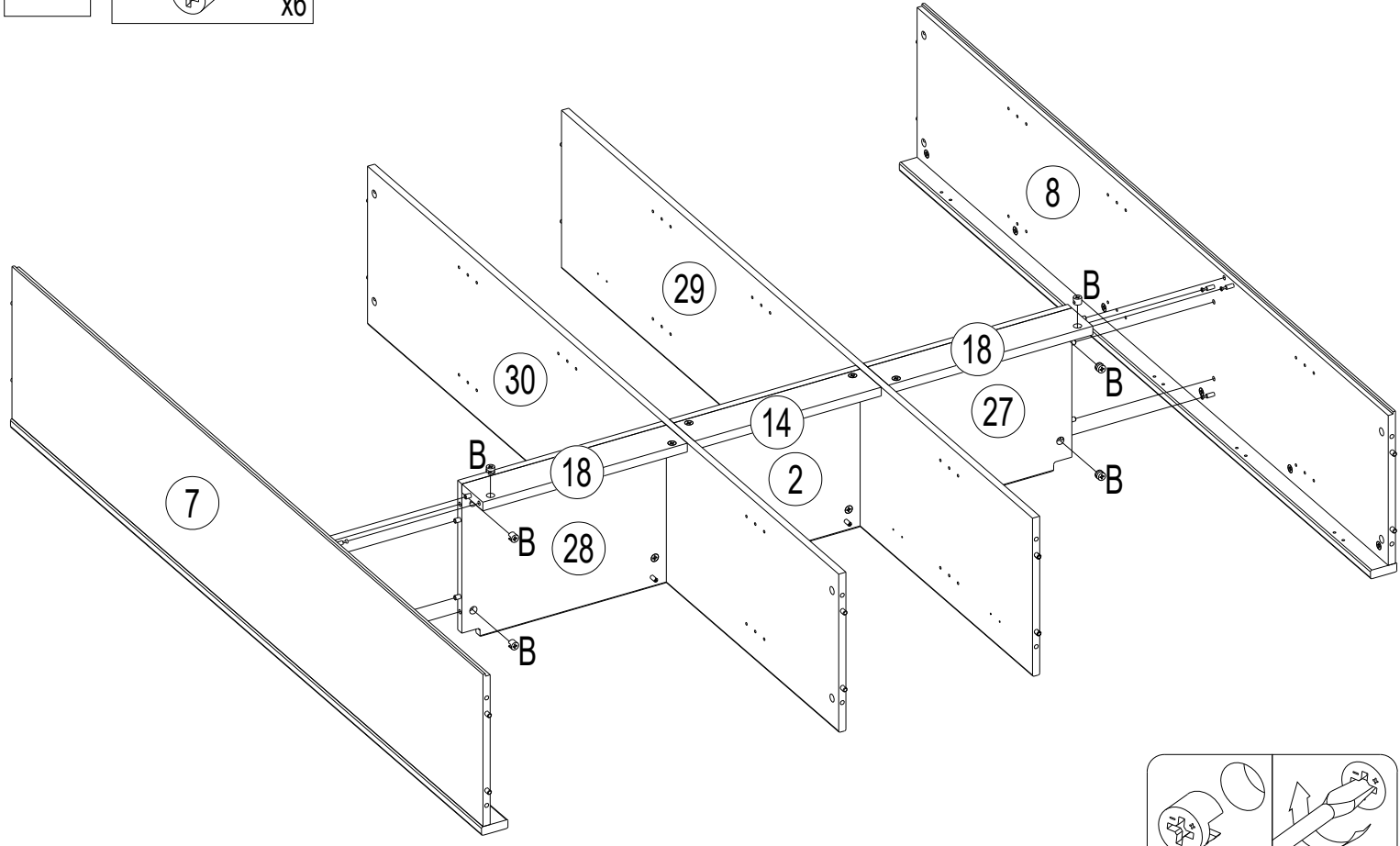
5a

B 030110 x12

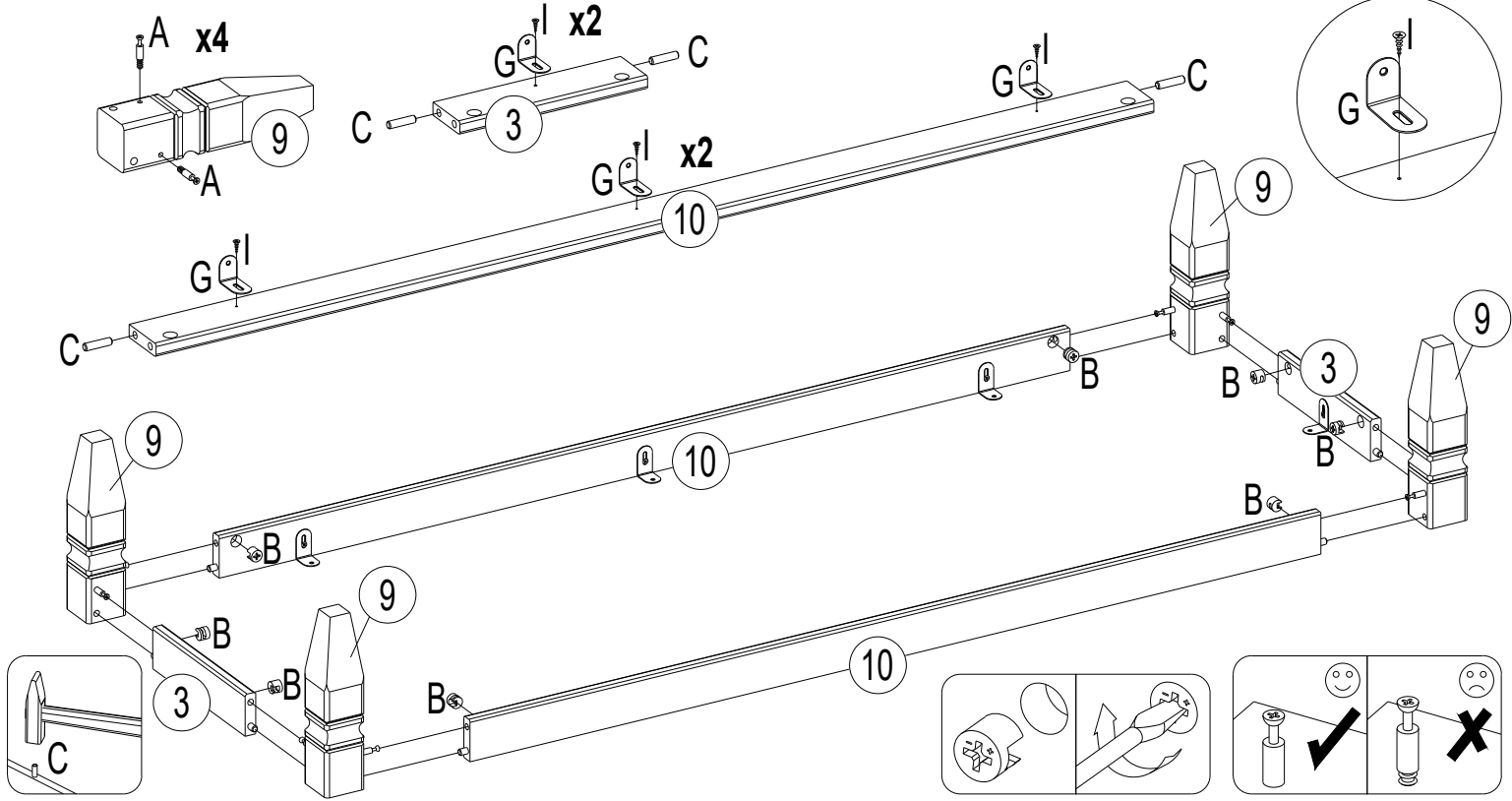


6a

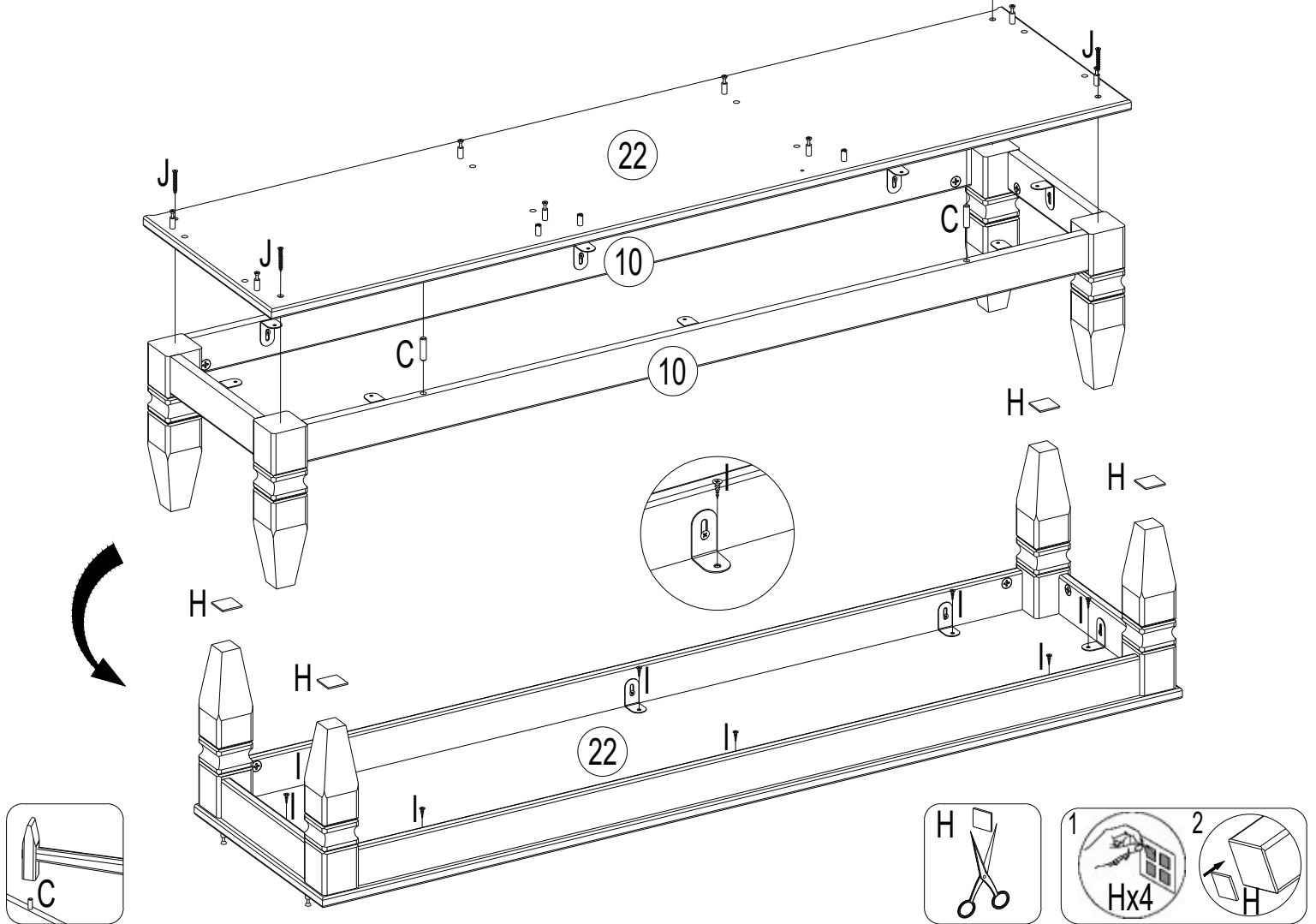
B 030110 x6



- |          |                       |                       |                            |                                |                              |
|----------|-----------------------|-----------------------|----------------------------|--------------------------------|------------------------------|
| <b>7</b> | <b>A</b> 030093<br>x8 | <b>B</b> 030110<br>x8 | <b>C</b> 230010<br>8x32 x8 | <b>G</b> 180074<br>38x28x22 x8 | <b>I</b> 250012<br>3,5x15 x8 |
|----------|-----------------------|-----------------------|----------------------------|--------------------------------|------------------------------|



- |           |                            |                             |                              |                              |
|-----------|----------------------------|-----------------------------|------------------------------|------------------------------|
| <b>8a</b> | <b>C</b> 230010<br>8x32 x2 | <b>H</b> 070017<br>30x30 x4 | <b>I</b> 250012<br>3,5x15 x8 | <b>J</b> 250024<br>3,5x35 x4 |
|-----------|----------------------------|-----------------------------|------------------------------|------------------------------|



9

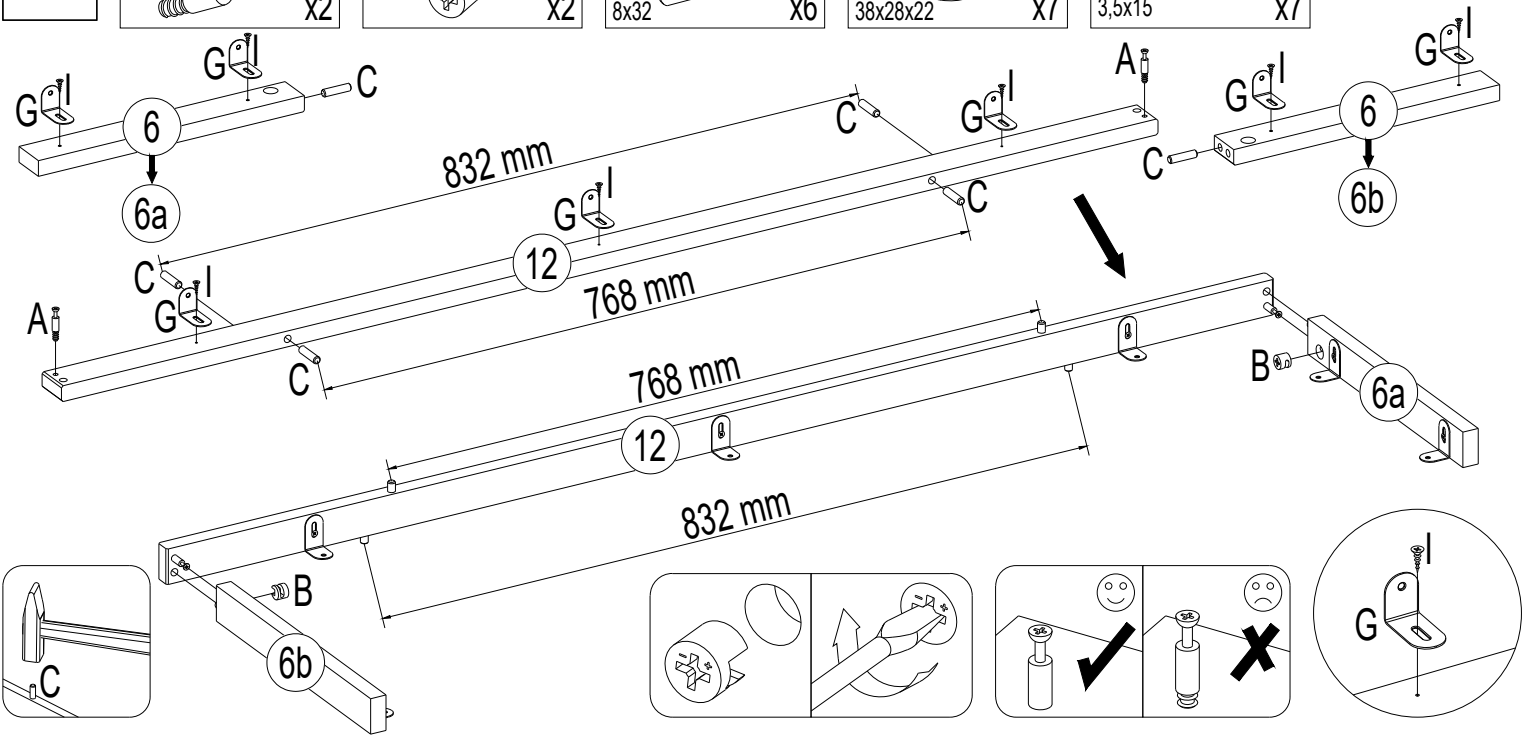
A 030093 x2

B 030110 x2

C 230010 8x32 x6

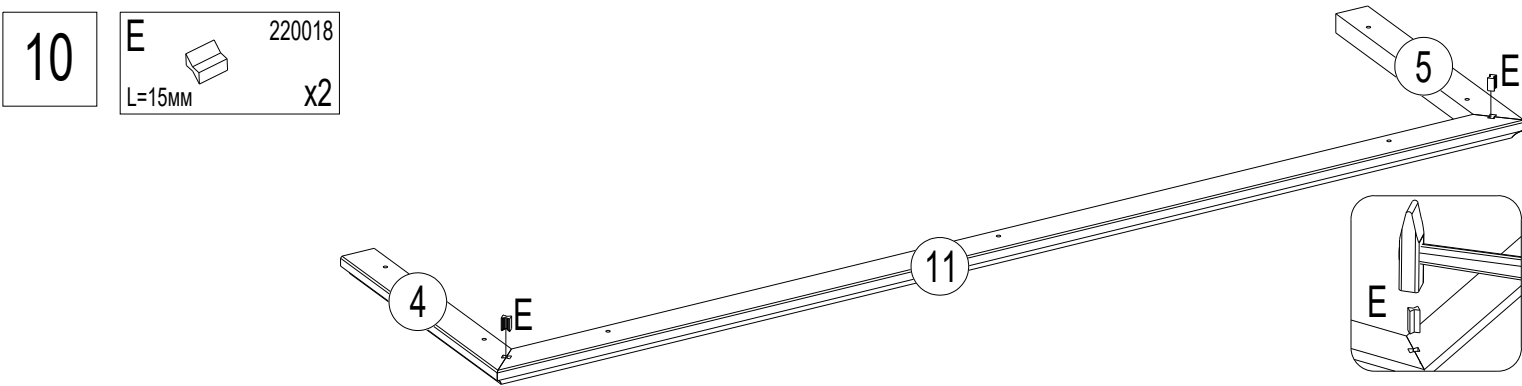
G 180074 38x28x22 x7

I 250012 3,5x15 x7



10

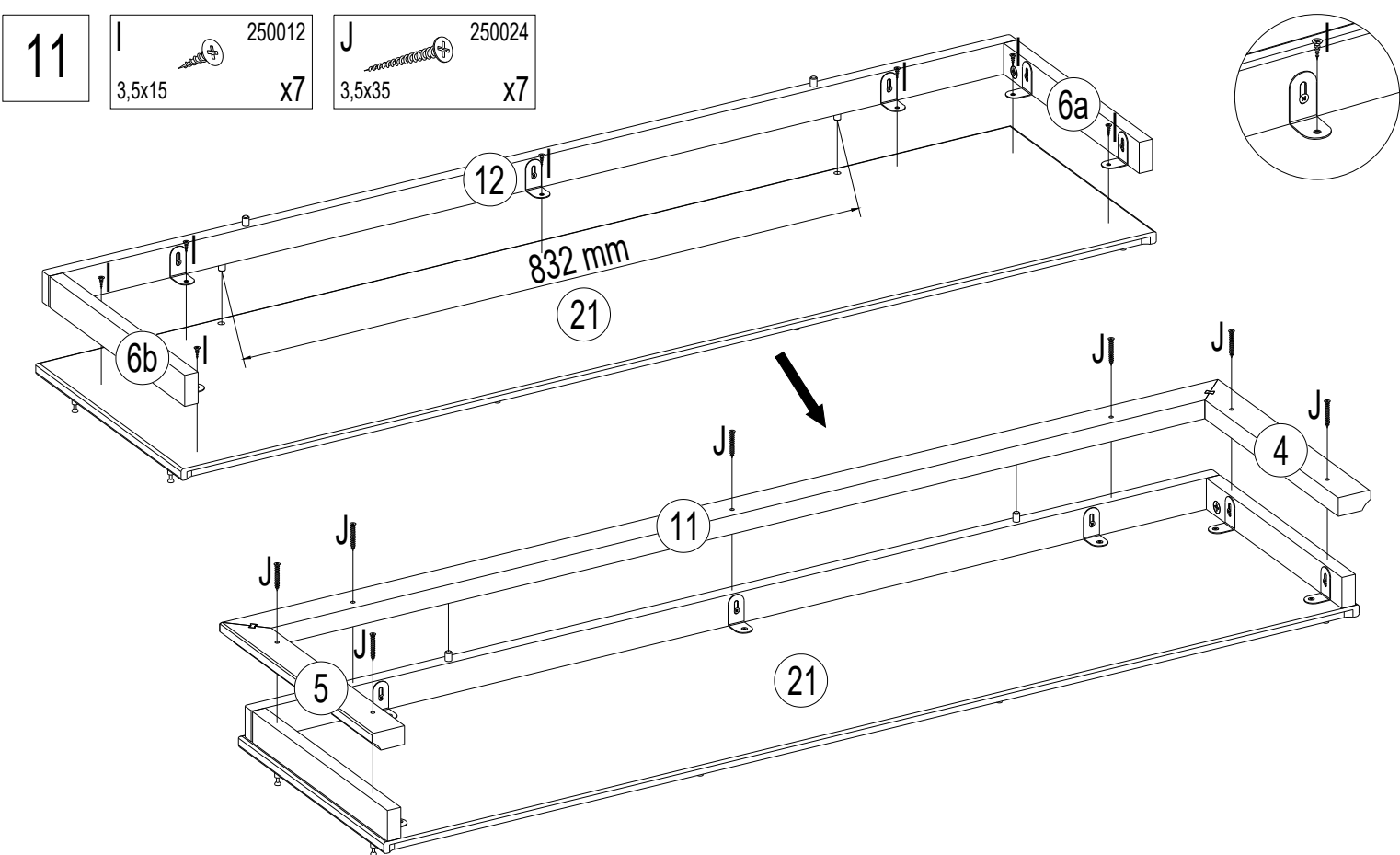
E 220018 L=15MM x2



11

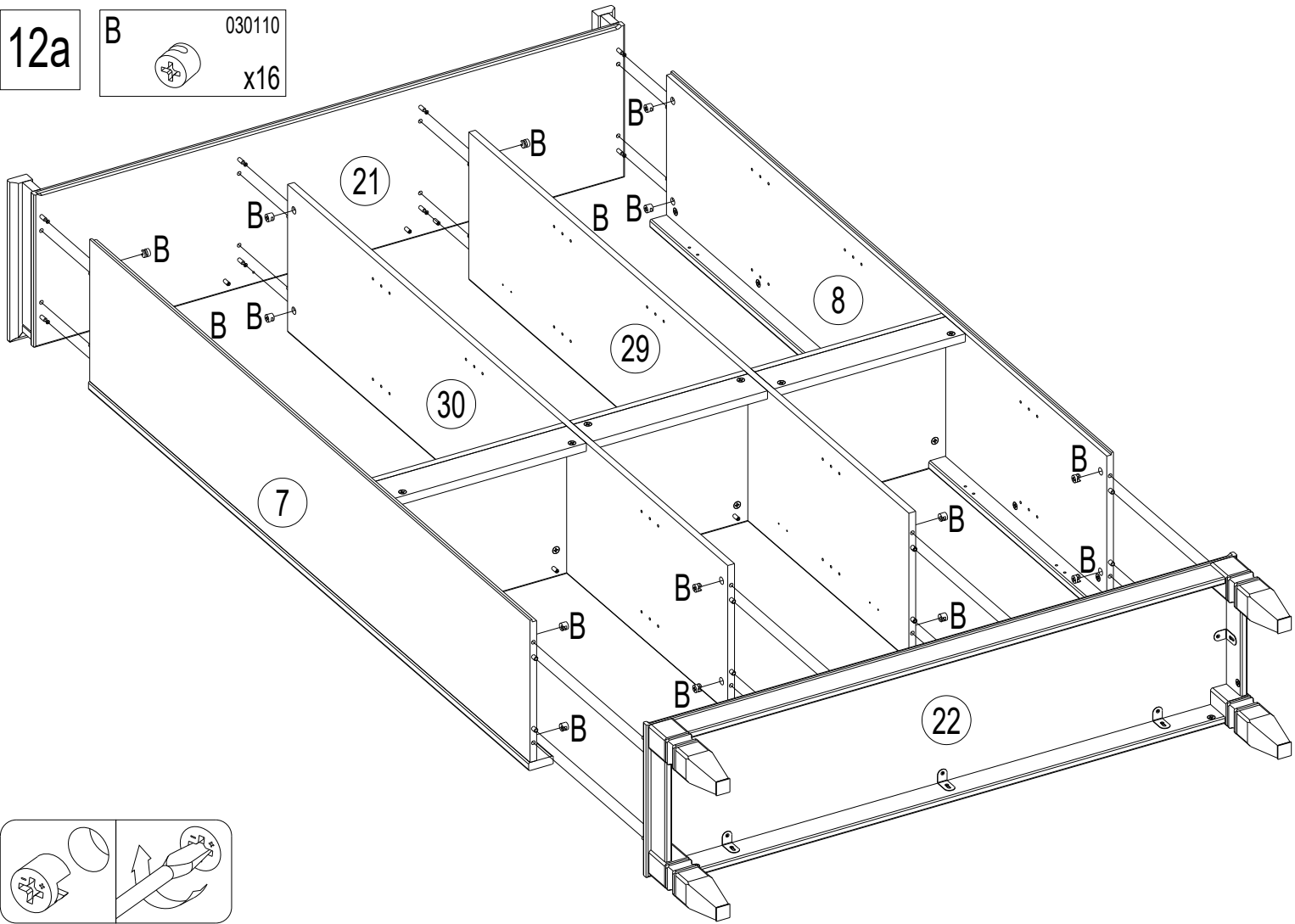
I 250012 3,5x15 x7

J 250024 3,5x35 x7



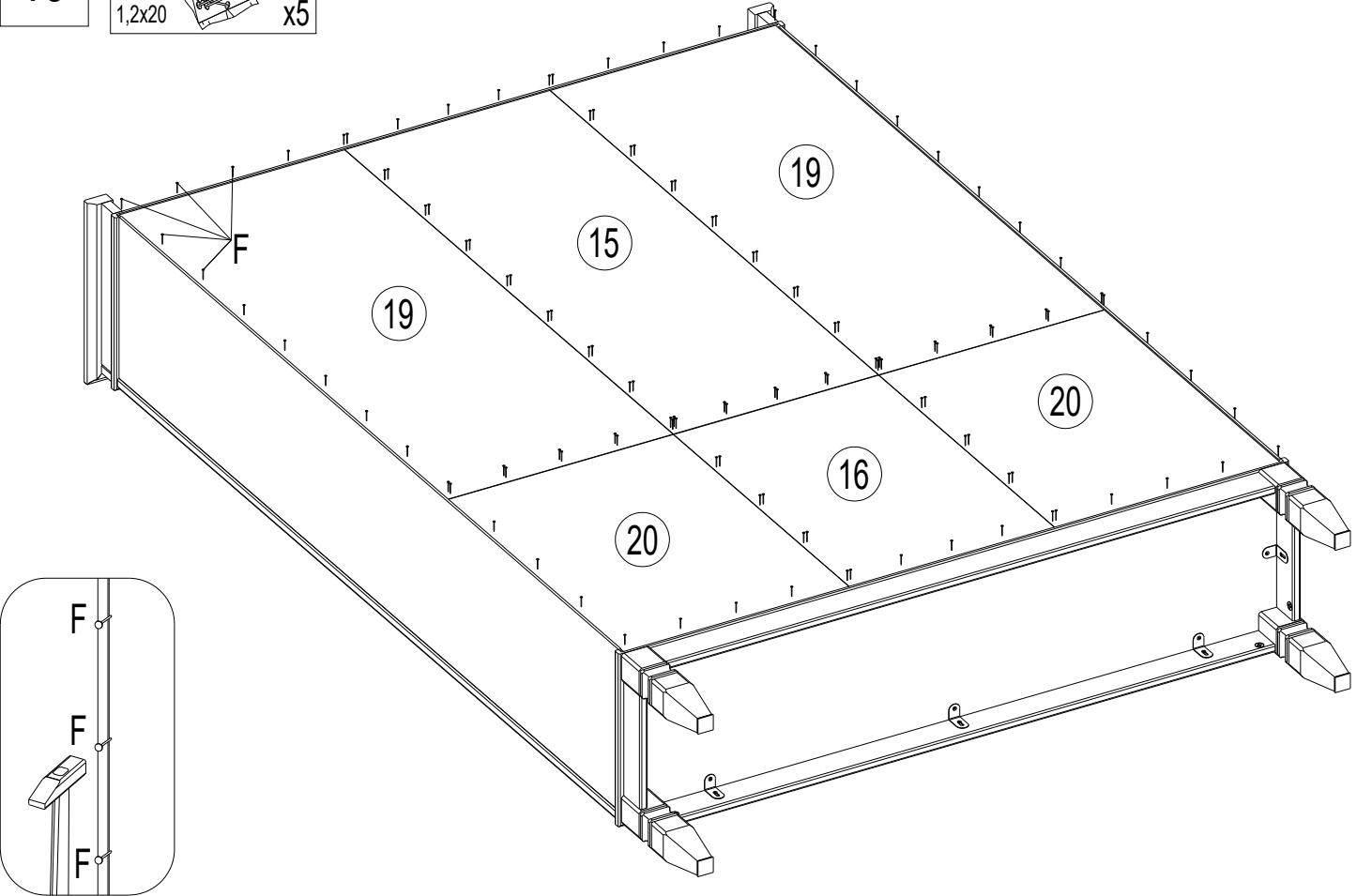
12a

B 030110 x16



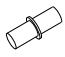
13

F 220043 x5  
1,2x20




14a

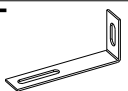
**D** 190002 x36



**S** 090004 x2  
8x40



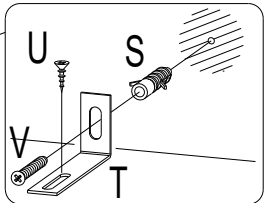
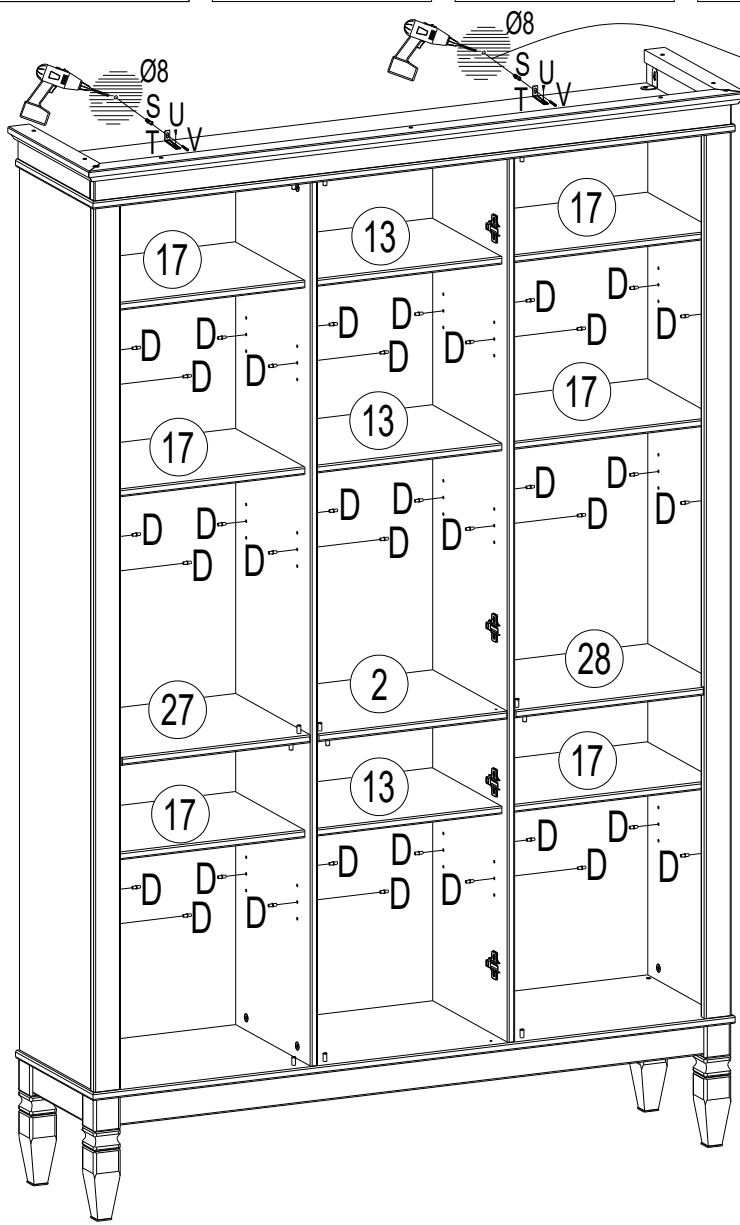
**T** 180080 x2

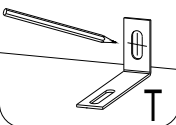
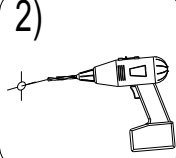
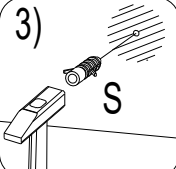
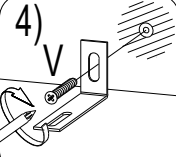
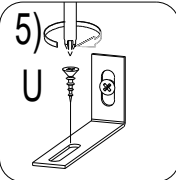


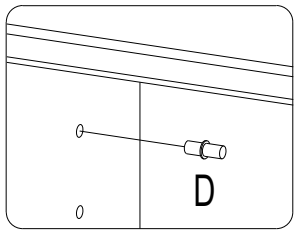
**U** 250012 x2  
3,5x15



**V** 250044 x2  
4x40





- 1) 
- 2) 
- 3) 
- 4) 
- 5) 

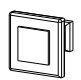


15


**I** 250012 x16  
3,5x15




**L** 210118 x4




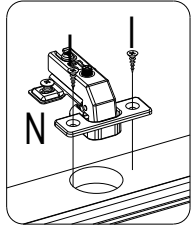
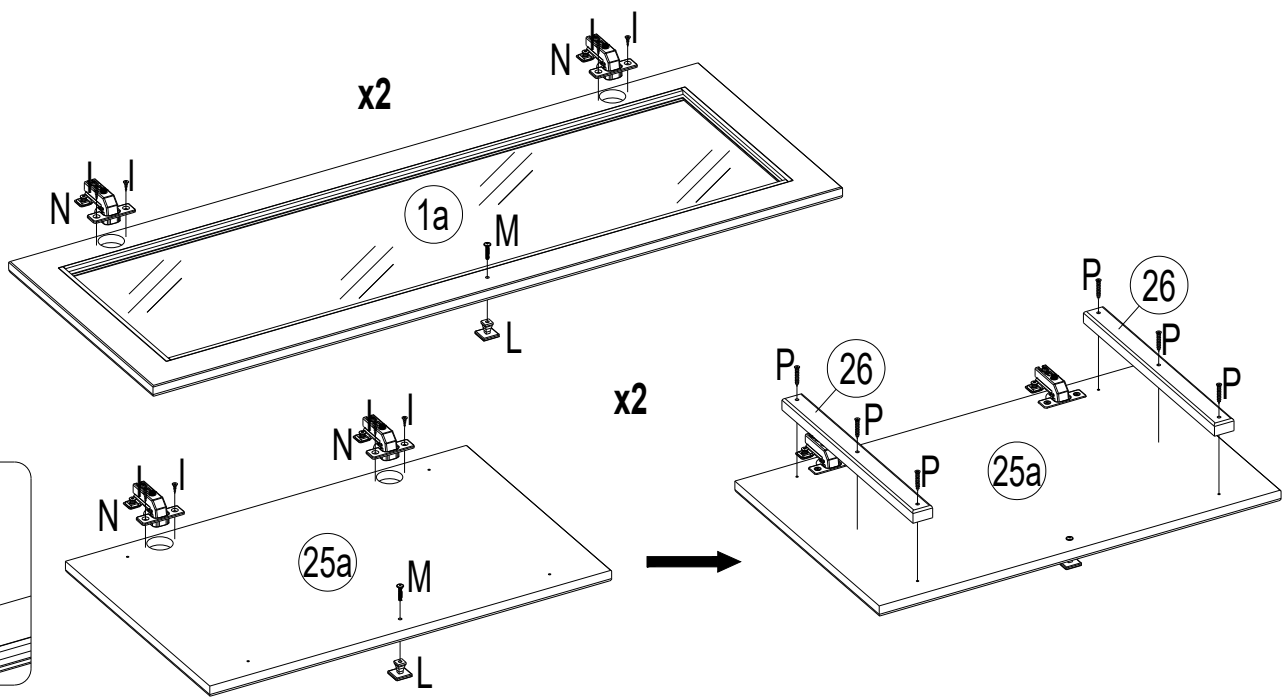
**M** 030052 x4  
M4x22



**N** 180121 x8



**P** 250021 x12  
3,5x30

16

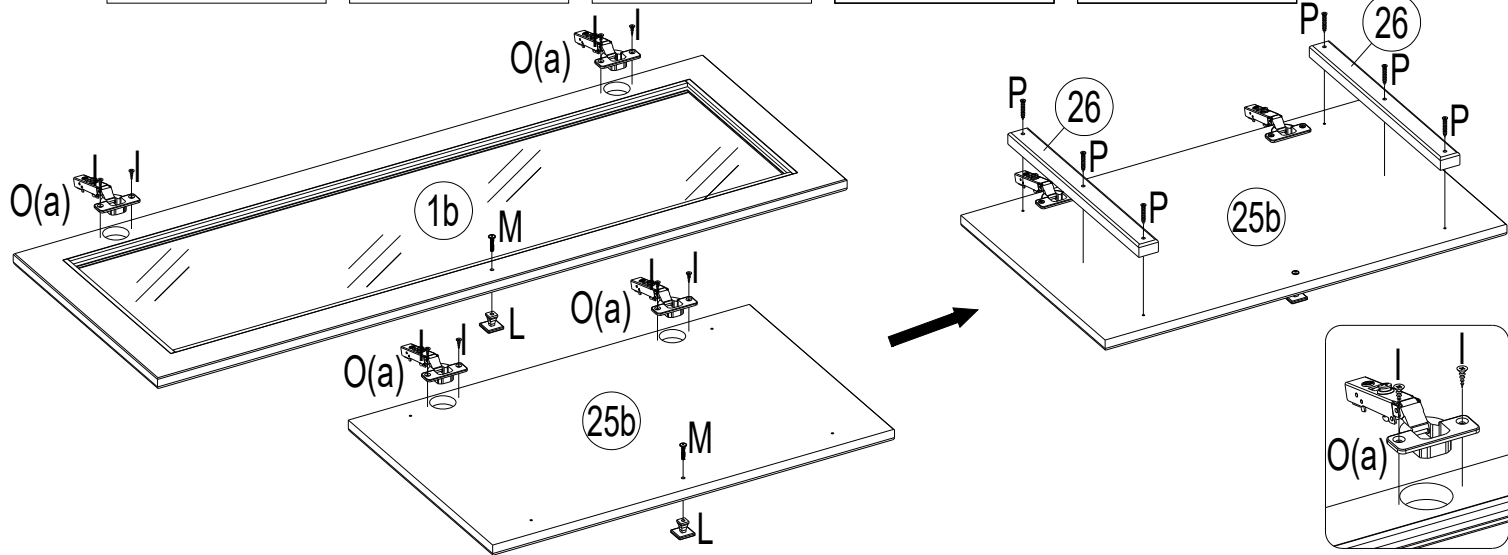
I 250012  
3,5x15 x8

L 210118  
x2

M 030052  
M4x22 x2

O a) 180123  
x4

P 250021  
3,5x30 x6



17a

