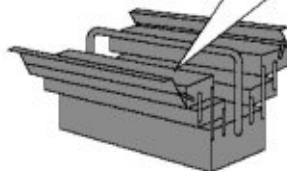
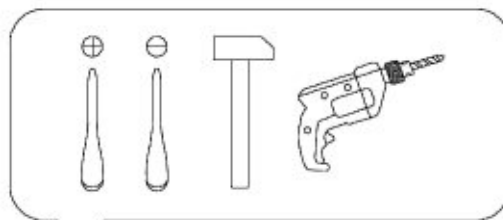
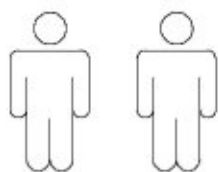
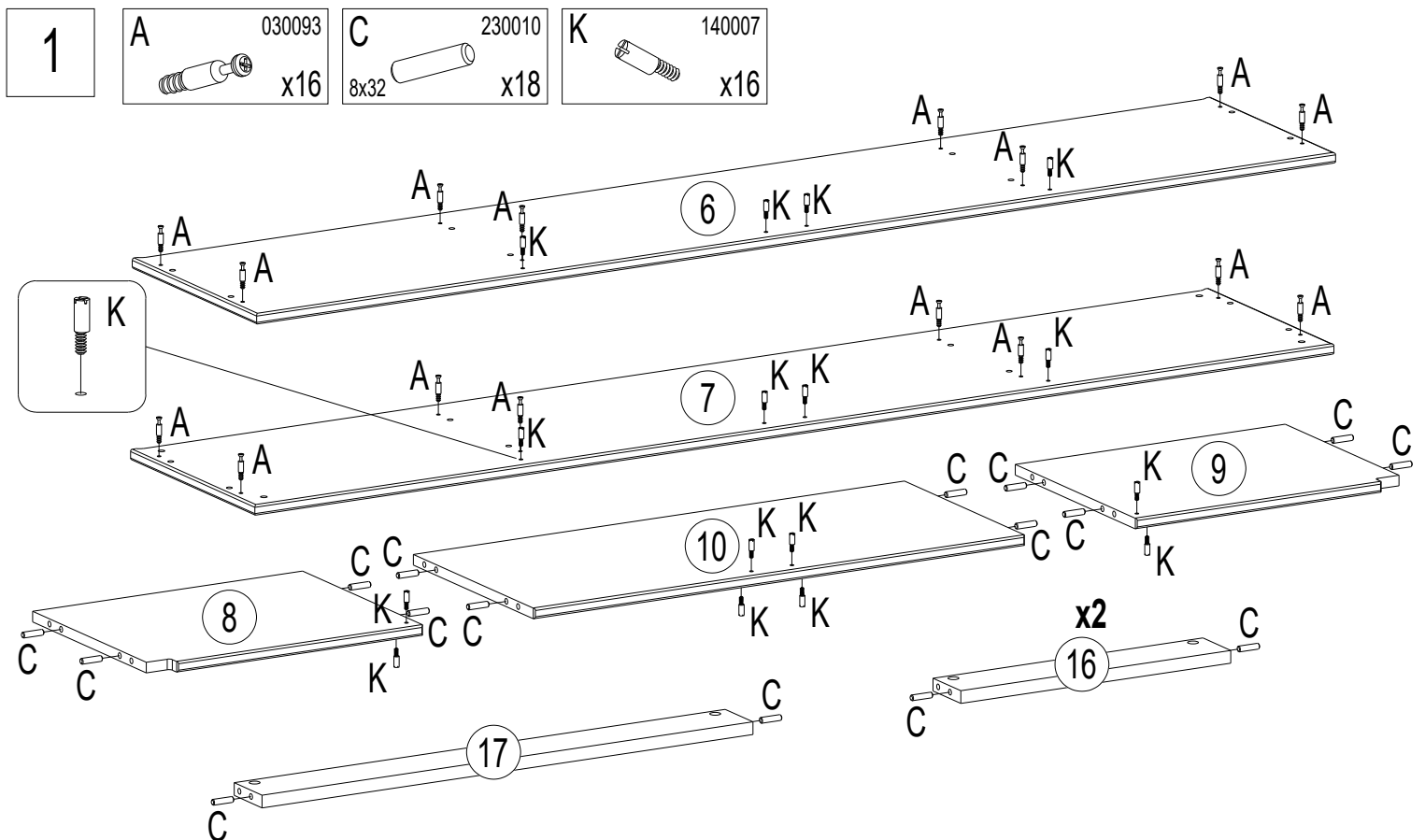


- | | |
|---------------------------------------|-----------------------------------|
| D Montageanleitung | GB Assembly instructions |
| FR Notice de montage | IT Istruzioni di montaggio |
| NL Handleiding voor de montage | PL Instrukcja montażu |
| CZ Montážní návod | SK Návod na montáž |
| HU Szerelési útmutató | RO Instrucțiuni de montaj |
| TR Montaj talimatı | RU Инструкция по монтажу |



No	Size/MaB (mm)	Qty	✓	No	Size/MaB (mm)	Qty	✓
1	1118x788x3	1		19	1700x330x15	1	
2	600x788x3	1		20	235x55x55	1	
3	1057x383x18	4		21	1118x443x3	2	
6	1703x340x15	1		22	600x443x3	2	
7	1703x340x15	1		23	225x56x15	2	
8	426x330x15	1		24	356x44x24	1	
9	426x330x15	1		25	356x44x24	1	
10	775x330x15	1		26	317x40x18	2	
11	1583x56x15	2		27	1700x317x15	1	
12	1735x44x24	1		28	1700x317x15	1	
13	1693x40x18	1		29	1700x55x18	1	
14	424x306x15	6		30	1700x55x18	1	
15	773x306x15	3		31	235x55x55	4	
16	426x76x18	2		32	616x383x18	4	
17	775x76x18	1		33	348x30x18	8	
18	1700x330x15	1					

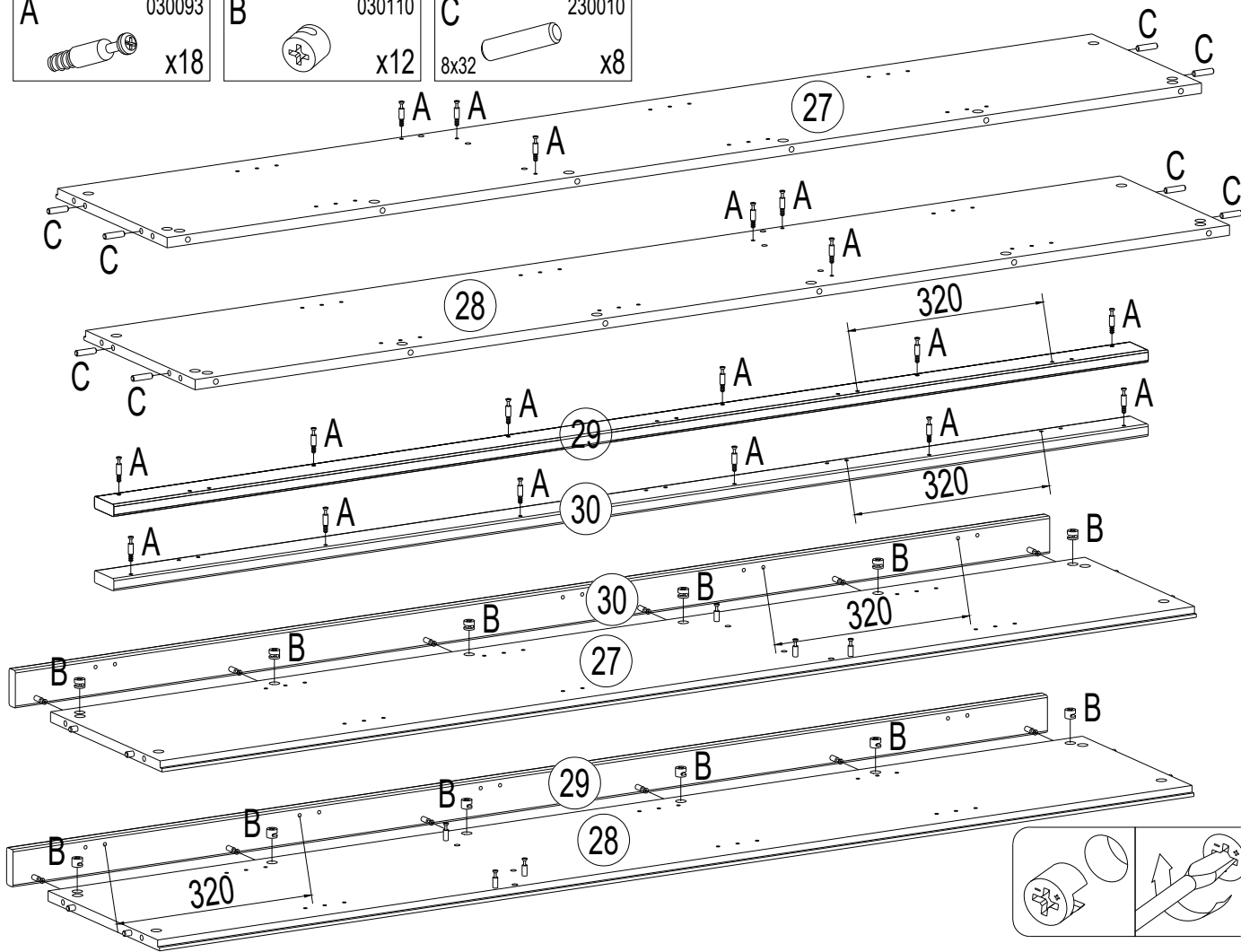


2

A 030093 x18

B 030110 x12

C 230010 8x32 x8



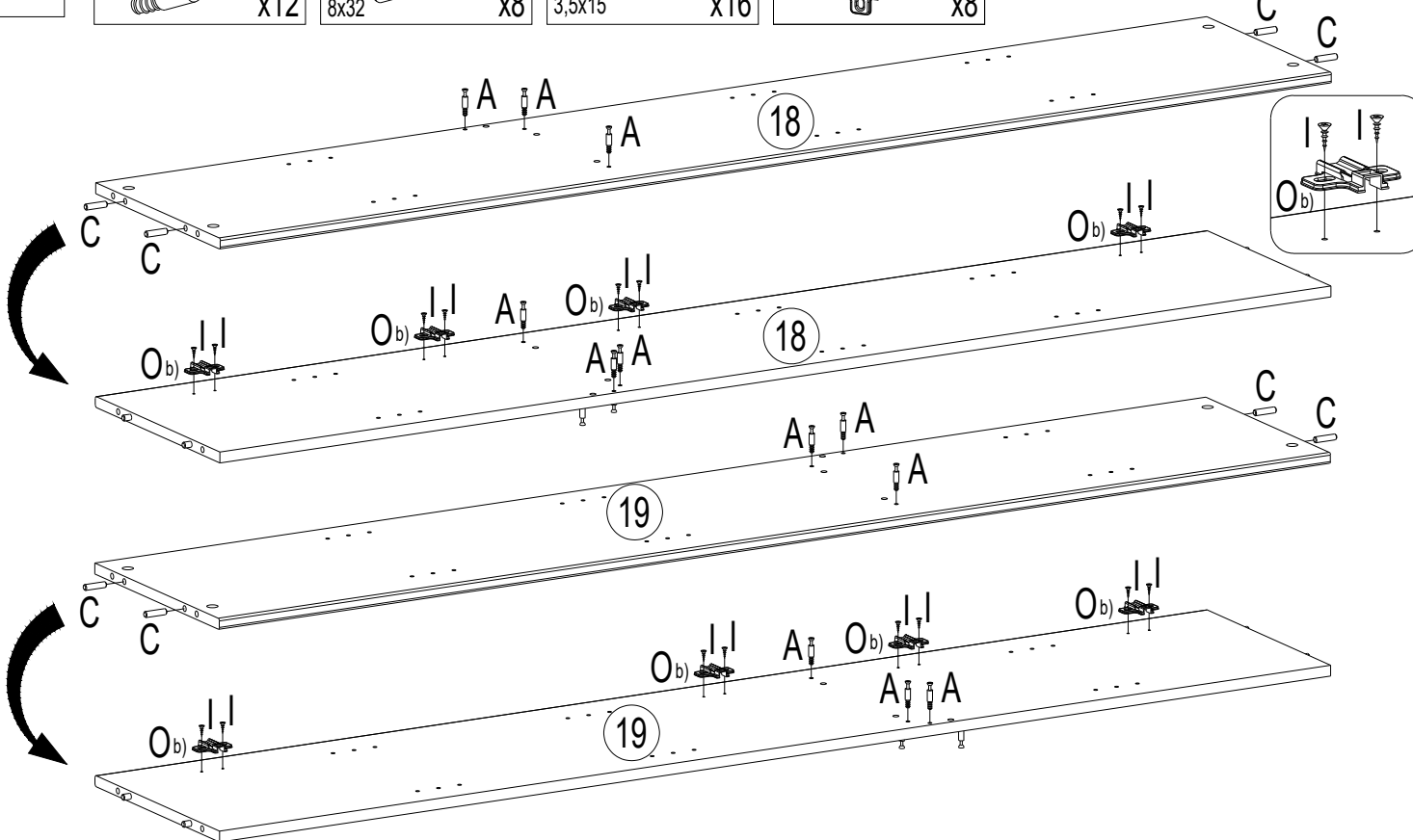
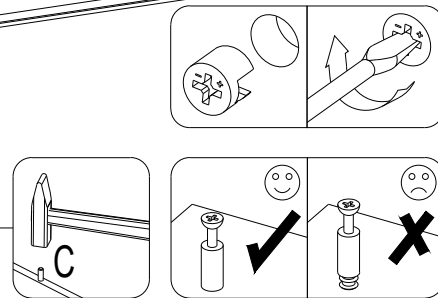
3

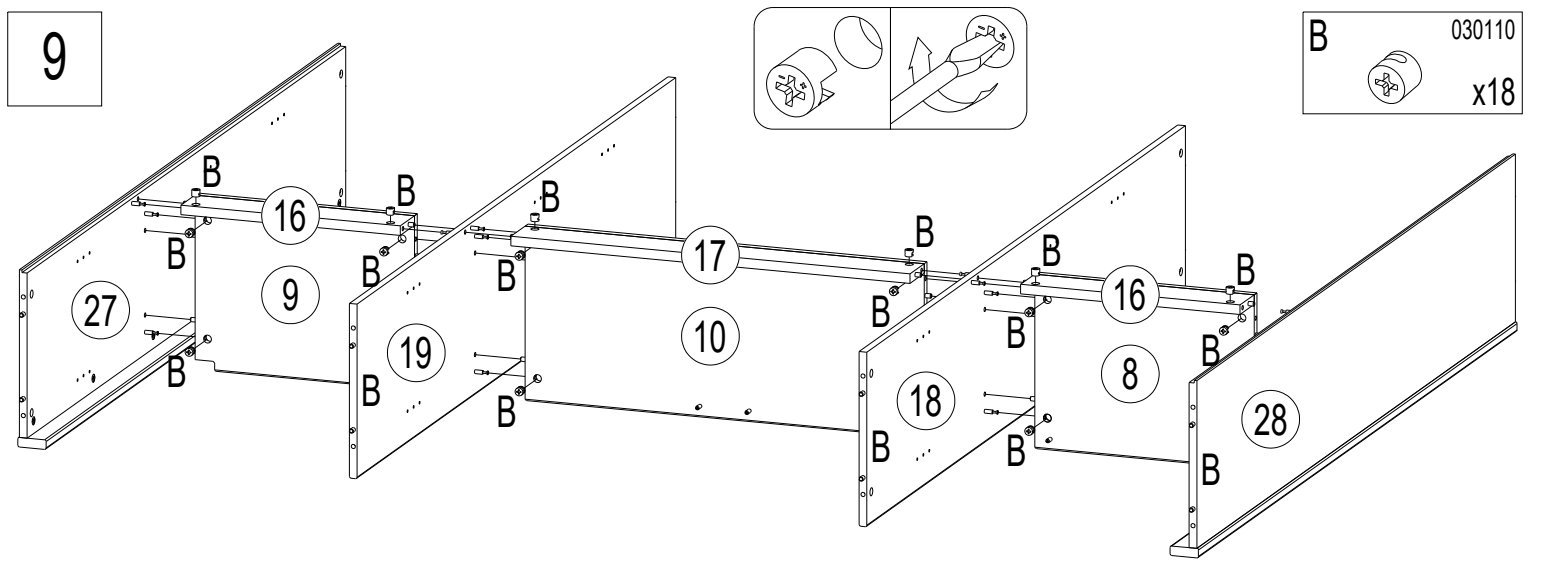
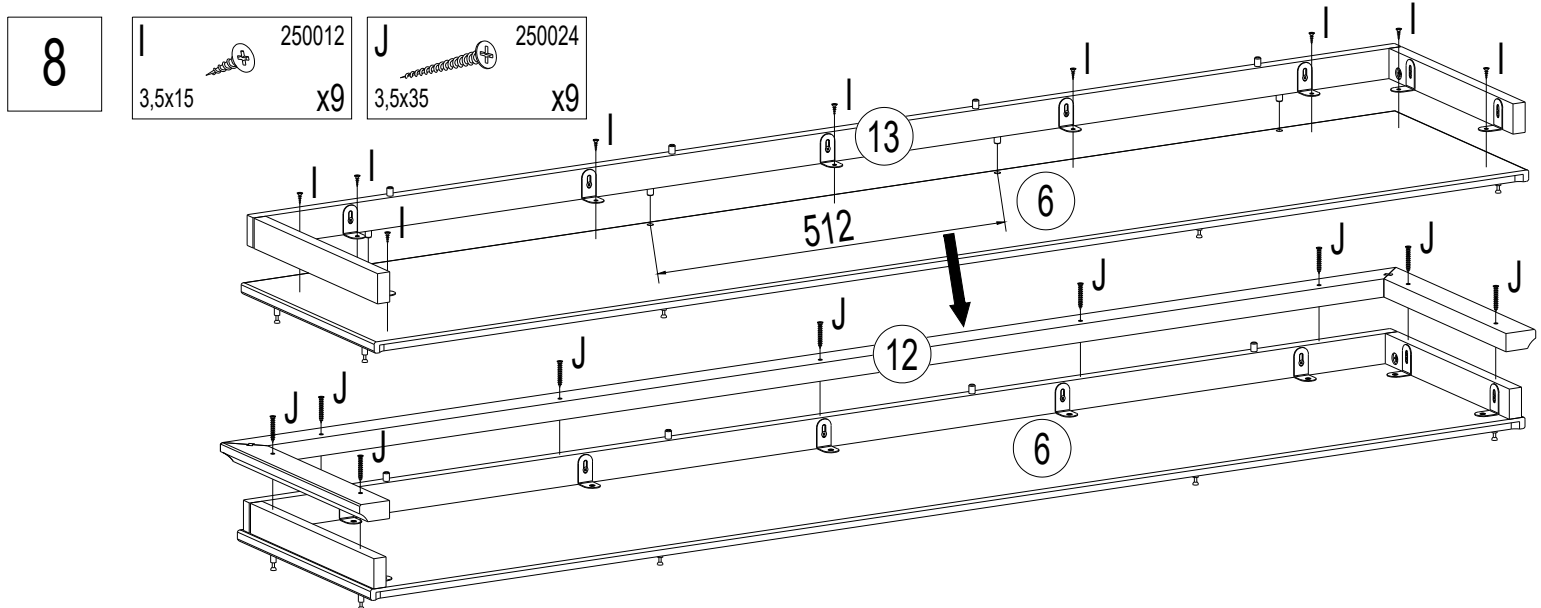
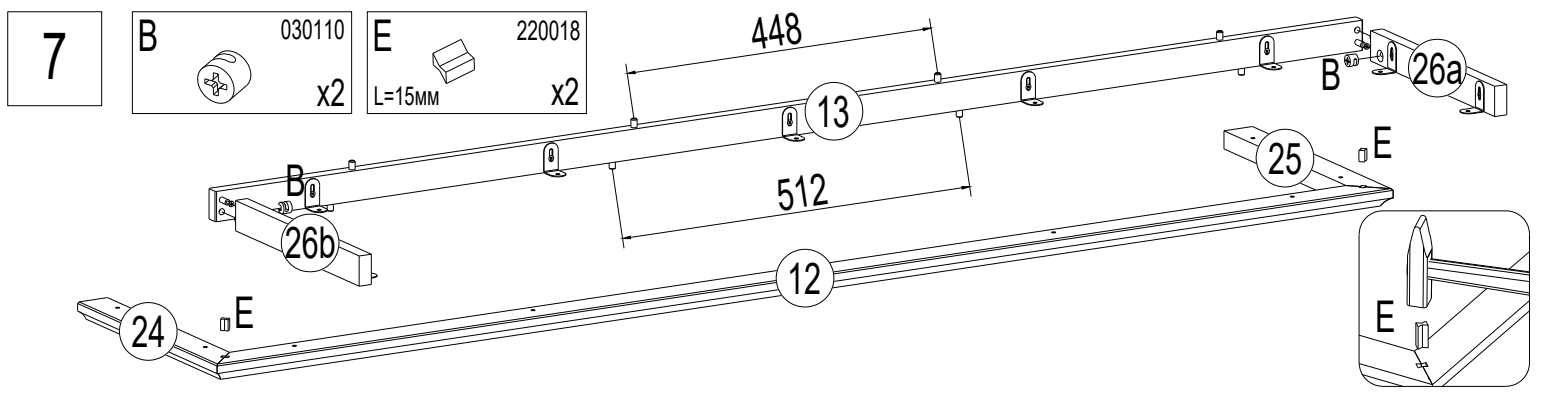
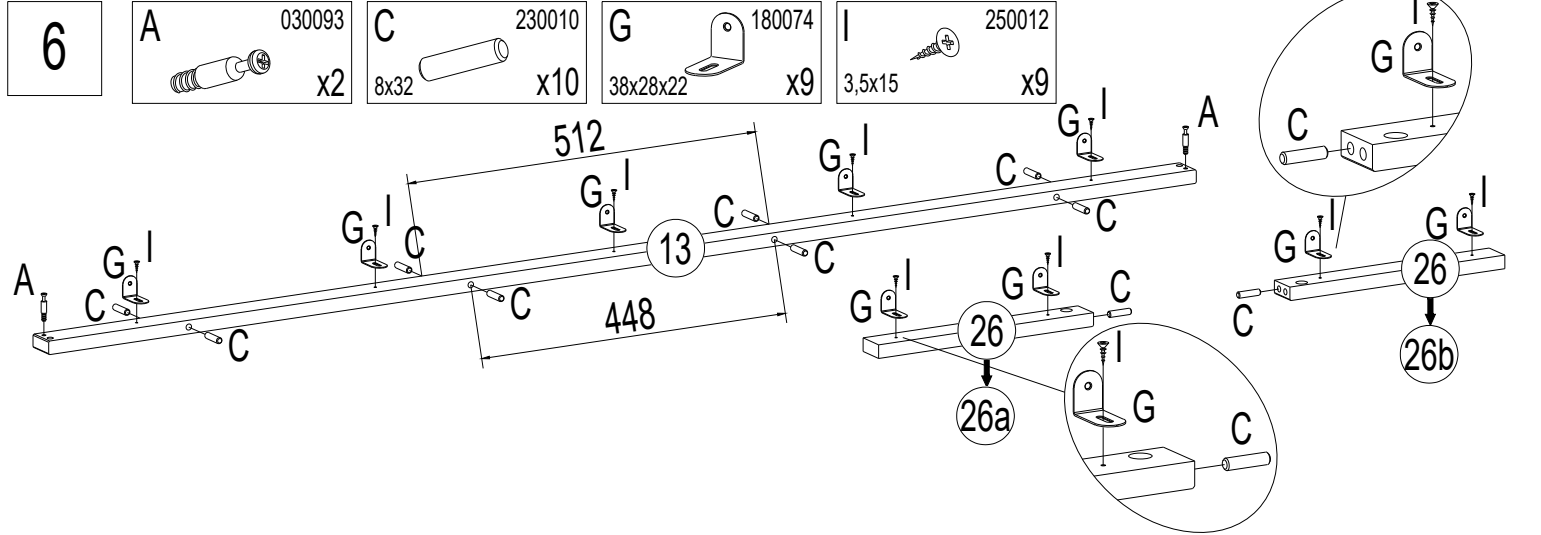
A 030093 x12

C 230010 8x32 x8

I 250012 3,5x15 x16

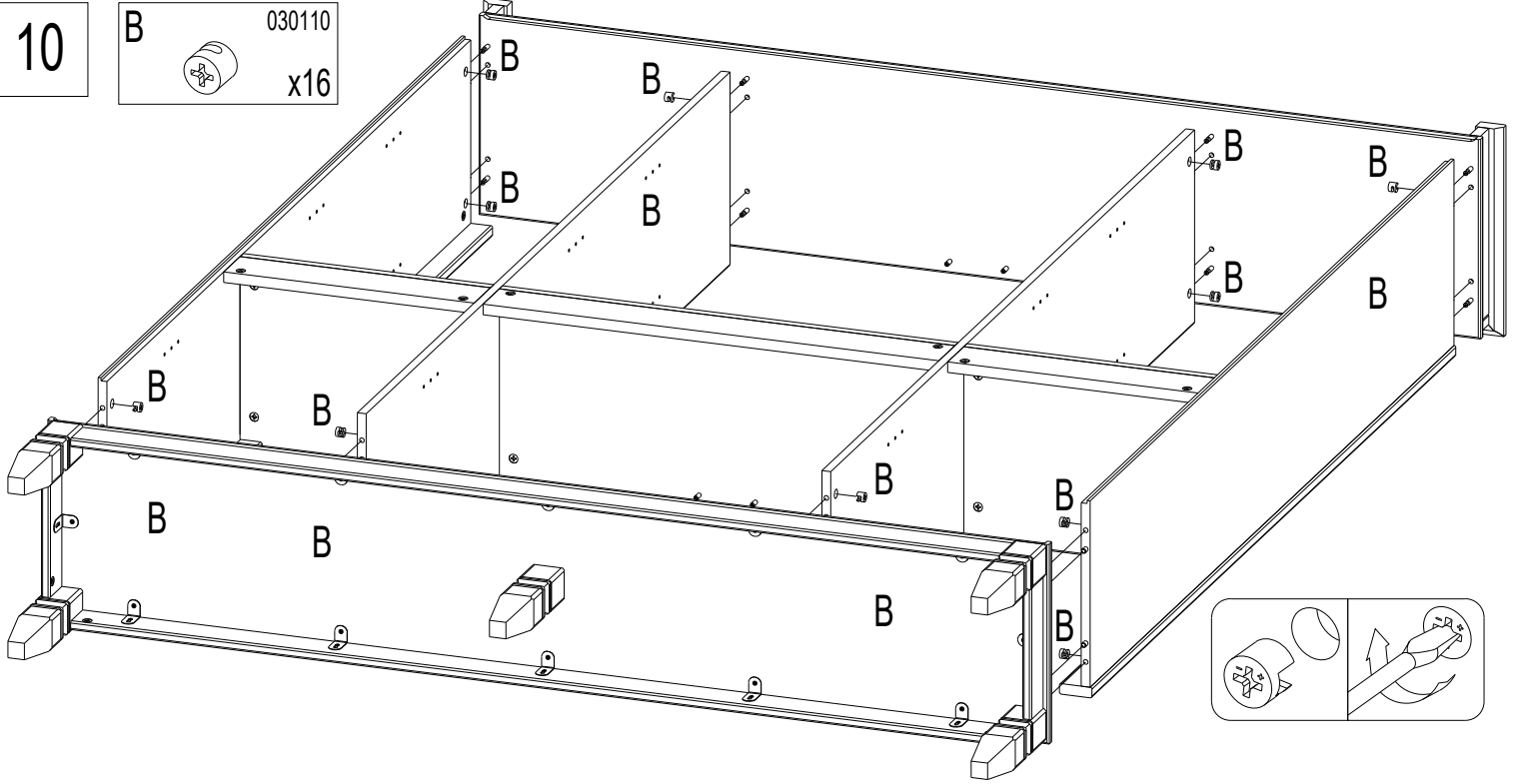
O 180123 x8





10

B 030110
x16



11

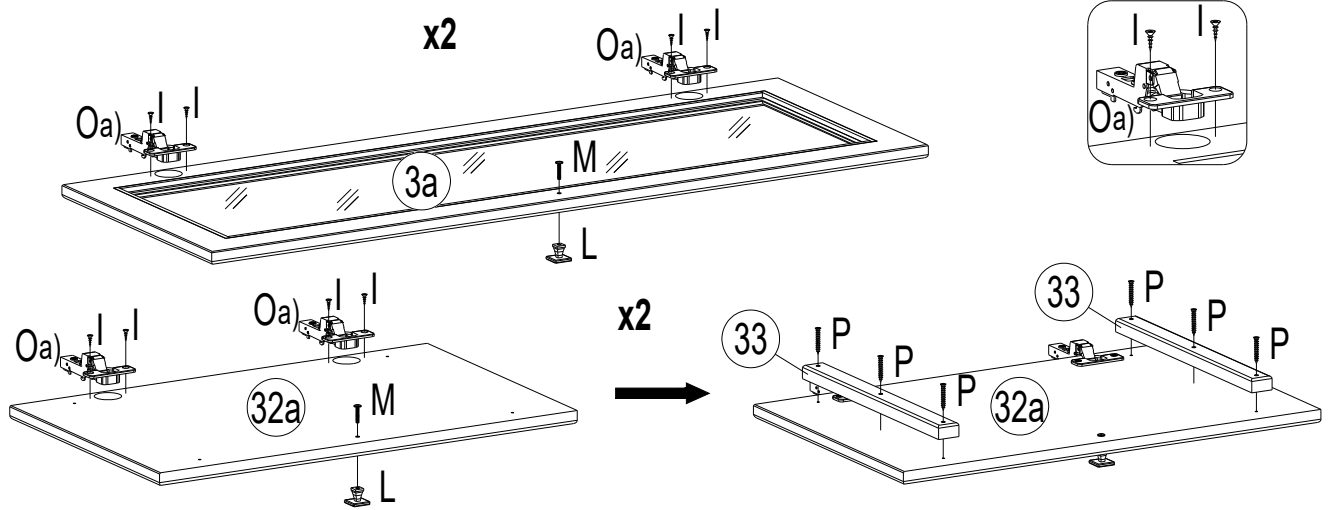
I 250012
3,5x15 x16

L 210118 x4

M 030052
M4x22 x4

O a) 180123 x8

P 250021
3,5x30 x12



12

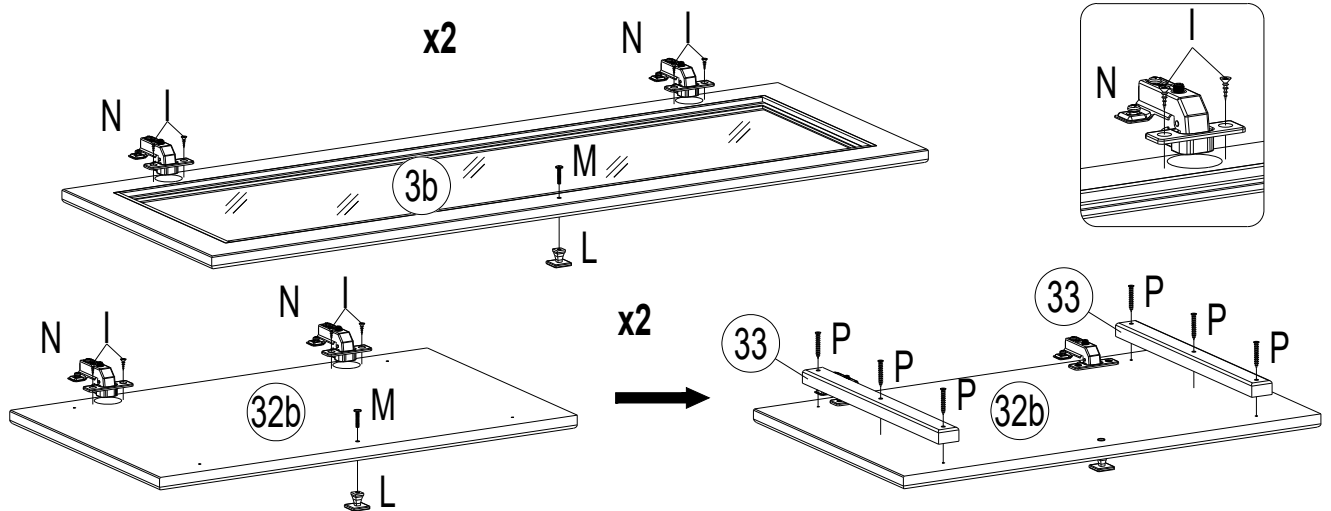
I 250012
3,5x15 x16

L 210118 x4

M 030052
M4x22 x4

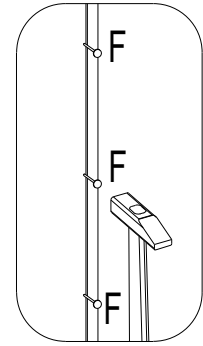
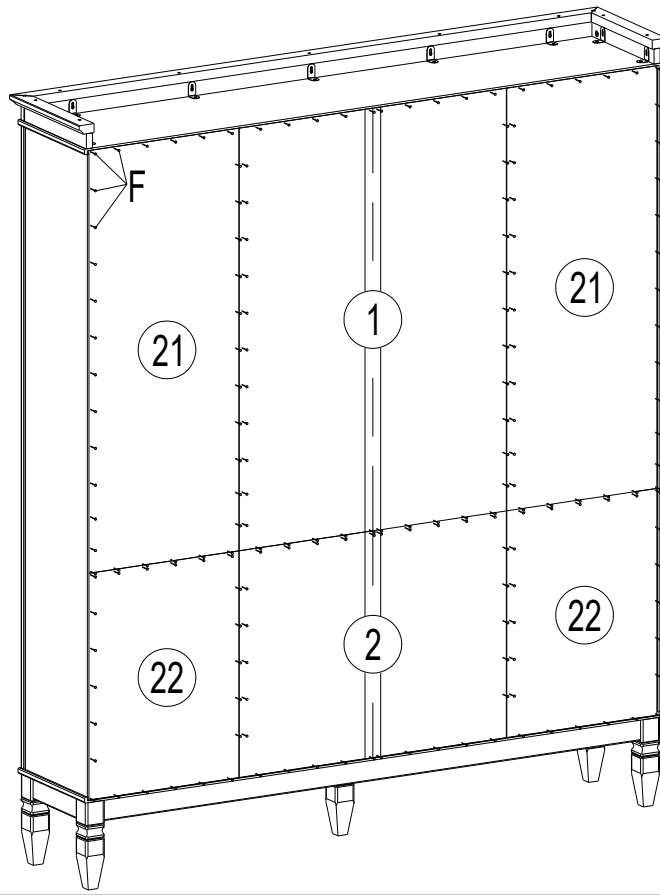
N 180121 x8

P 250021
3,5x30 x12



13

F 220043
1,2x20 x7



14

D 190002
x36

S 090004
8x40 x2

U 250012
3,5x15 x2

T 180080
x2

V 250044
4x40 x2

