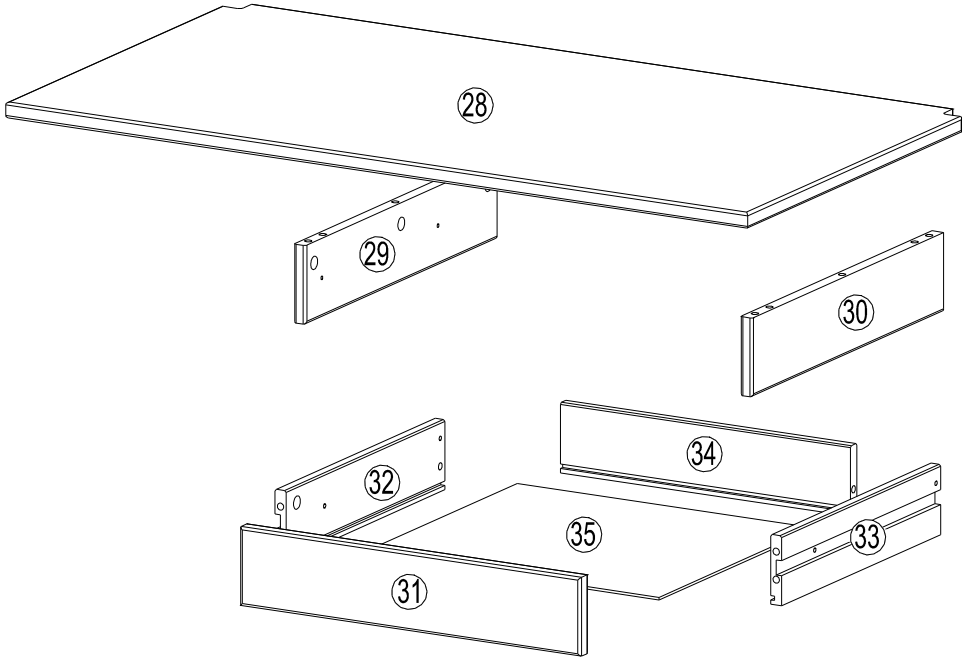
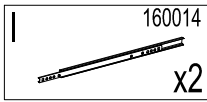
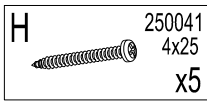
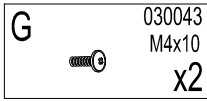
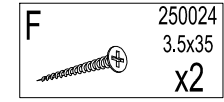
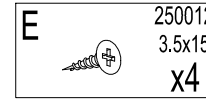
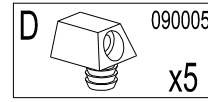
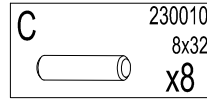
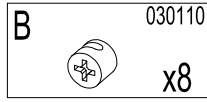
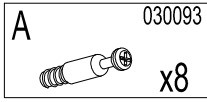


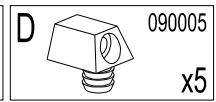
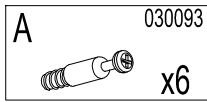
60 min

**EAC**

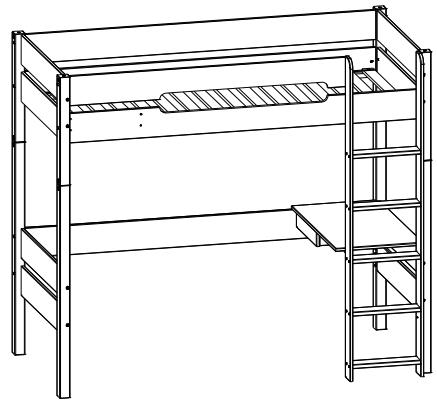
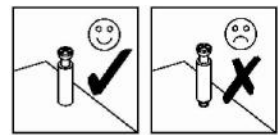
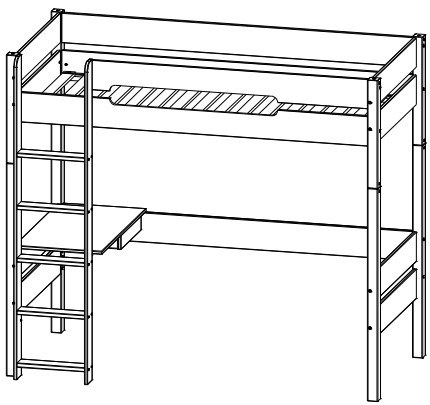
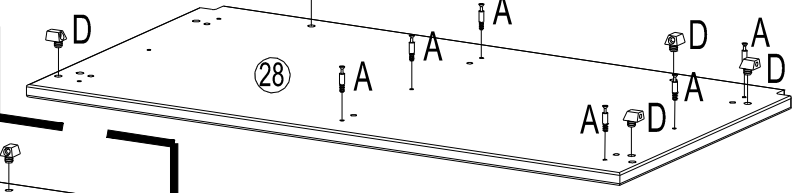
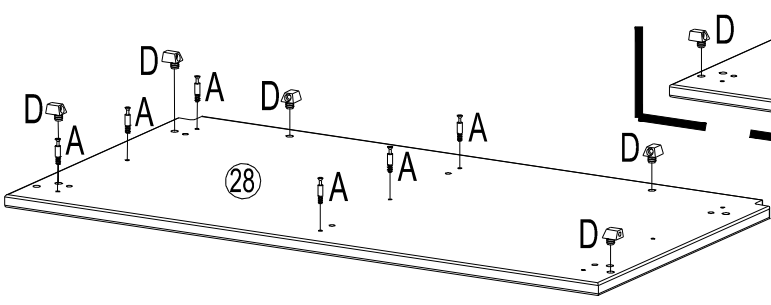


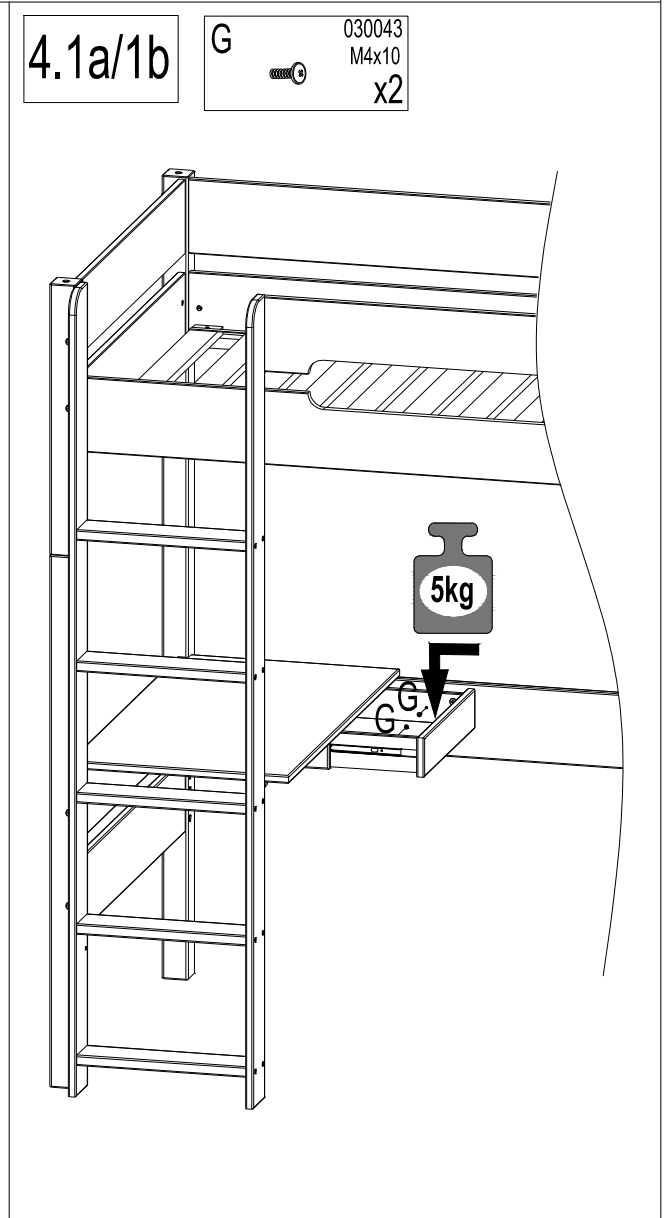
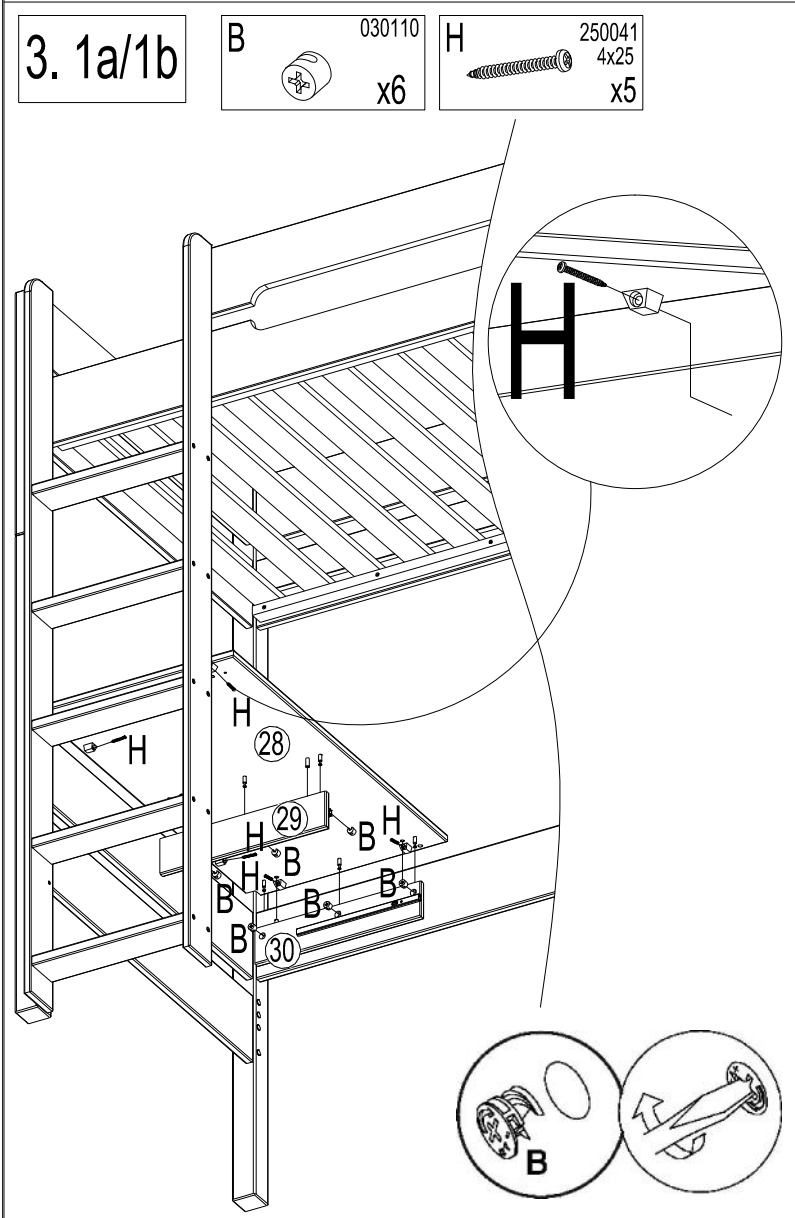
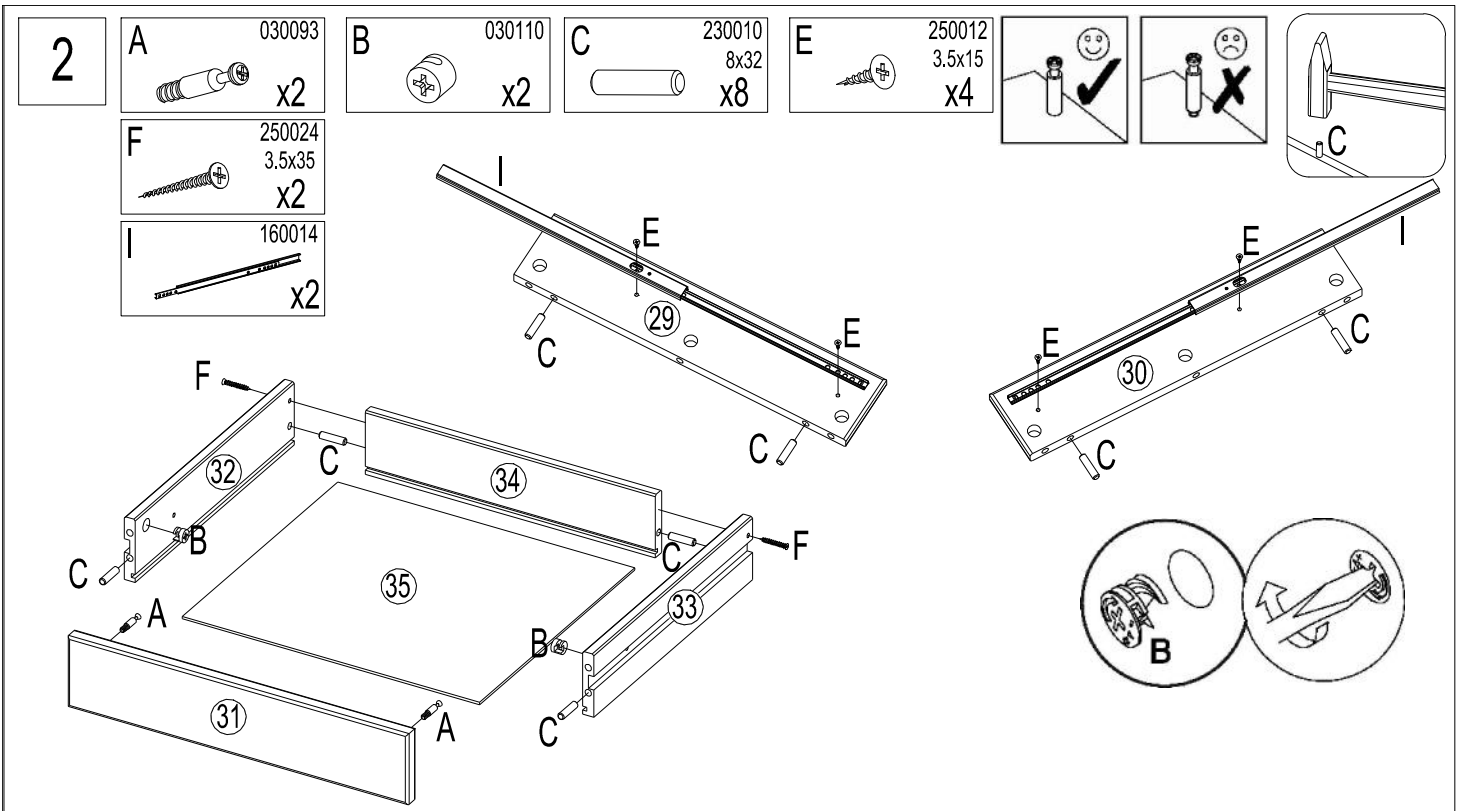
No	Size/MaB (mm)	Qty	✓	No	Size/MaB (mm)	Qty	✓
28	944x500x18	1		32	350x80x14	1	
29	422x90x15	1		33	350x80x14	1	
30	422x90x15	1		34	369x80x14	1	
31	433x90x18	2		35	378x342x3	1	

1.1a/2a

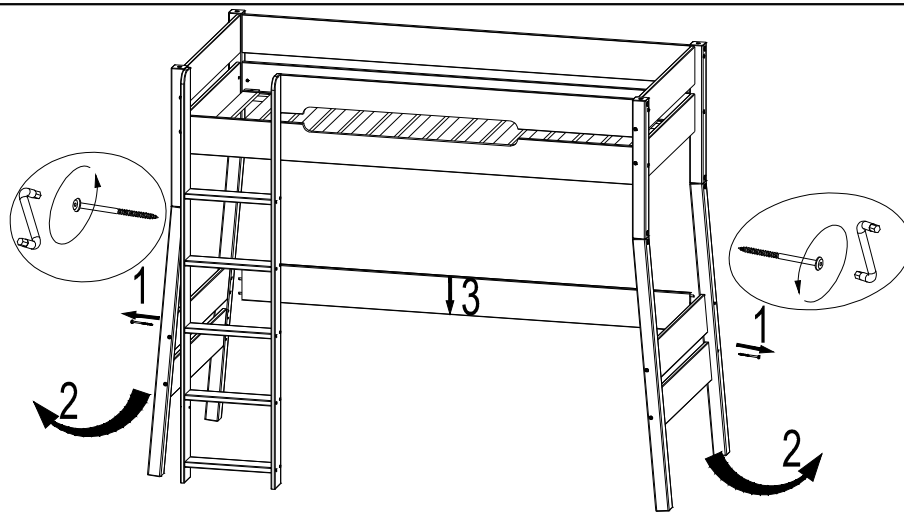


1.1b/2b

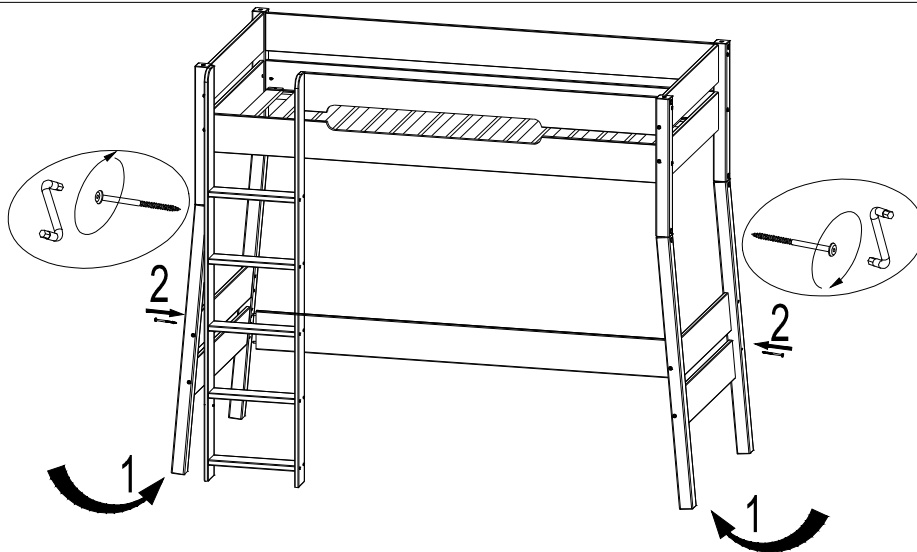




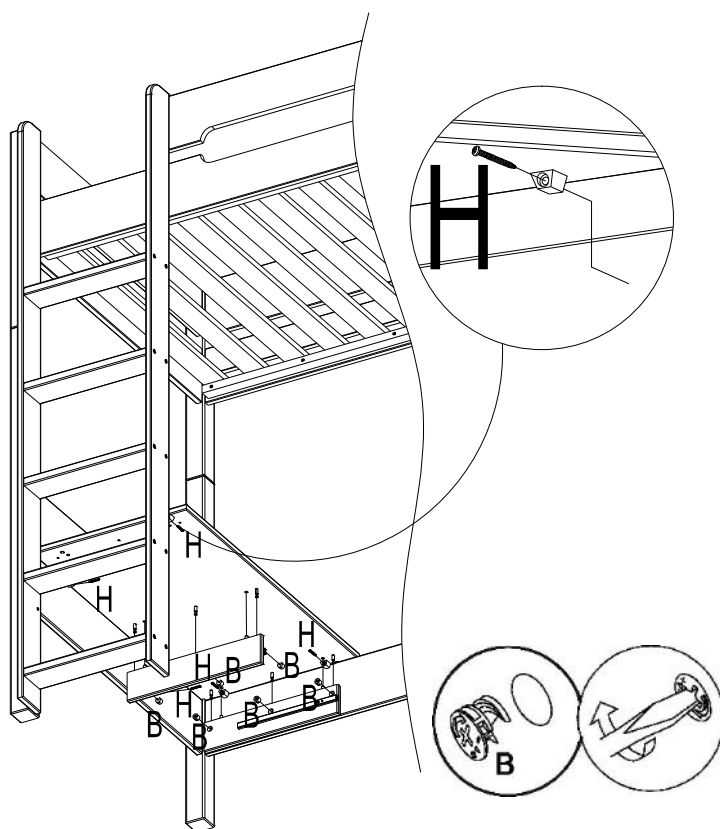
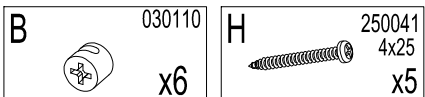
5. (2a/2b)



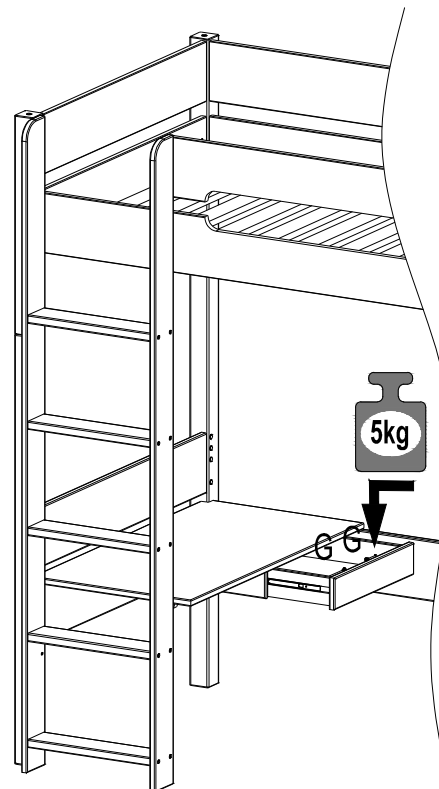
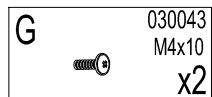
6. (2a/2b)



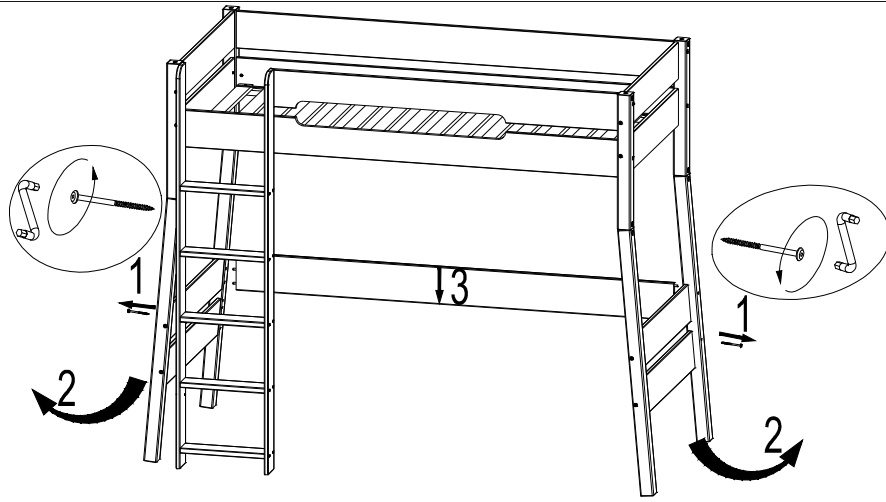
7. 2a/2b



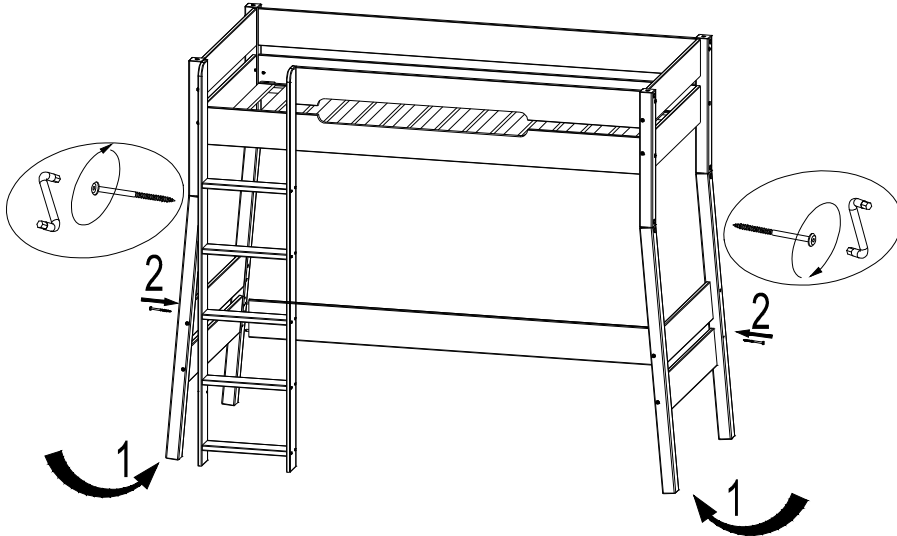
8. 2a/2b




5. (2a/2b)

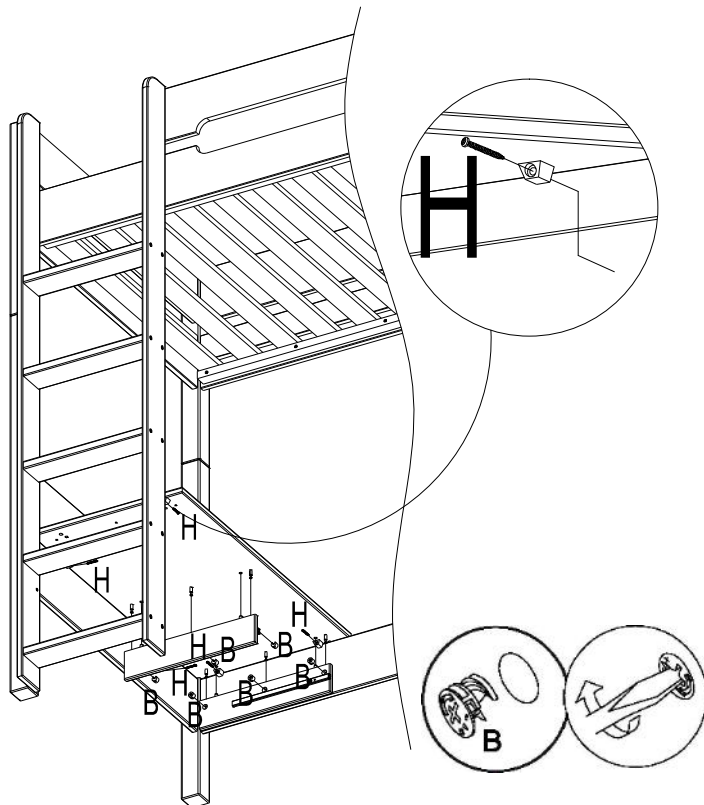


6. (2a/2b)



7. 2a/2b

- |          |   |          |                      |
|----------|---|----------|----------------------|
| <b>B</b> | 030110<br><br>x6 | <b>H</b> | 250041<br>4x25<br>x5 |
|----------|---|----------|----------------------|



8. 2a/2b

- |          |                       |
|----------|-----------------------|
| <b>G</b> | 030043<br>M4x10<br>x2 |
|----------|-----------------------|

