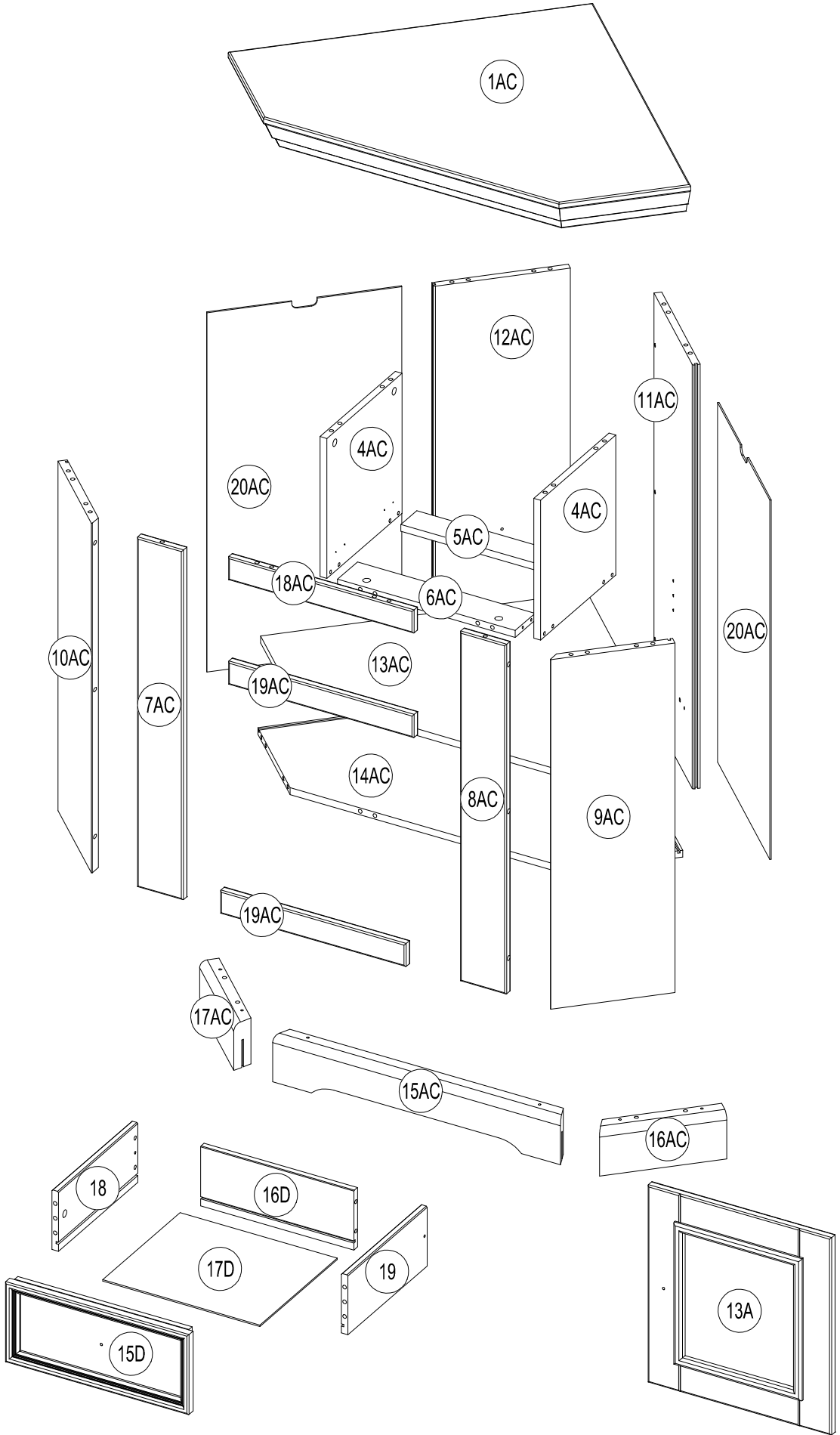
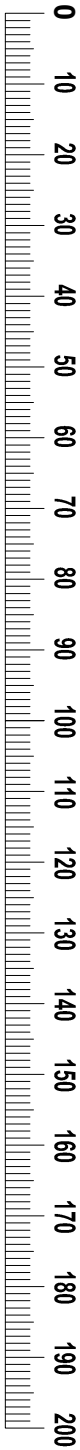
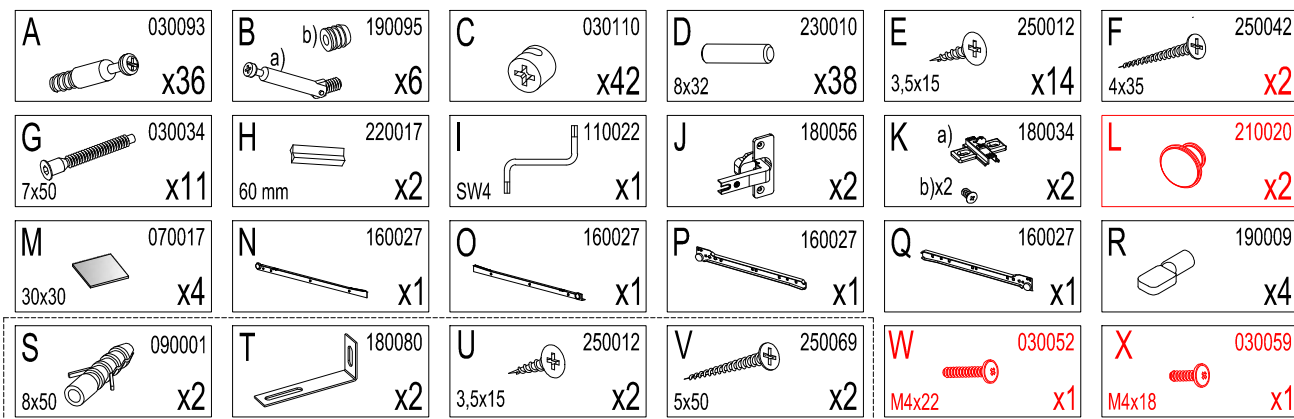


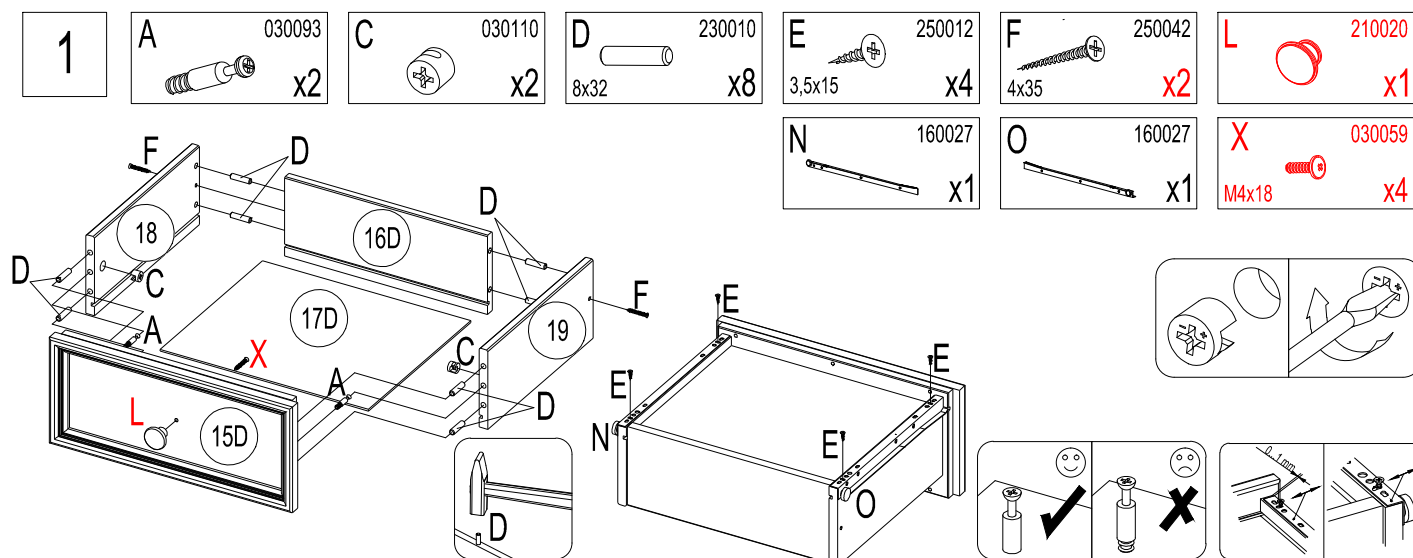
180 min

EAC

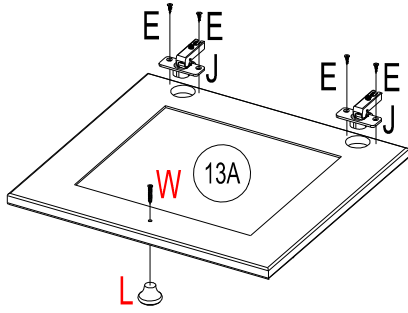




| Nº | Size/MaB (mm) | Qty | ✓ | Nº | Size/MaB (mm) | Qty | ✓ |
|------|---------------|-----|---|------|---------------|-----|---|
| 1AC | 1008x686x77 | 1 | | 15AC | 628x100x38 | 1 | |
| 4AC | 305x284x15 | 2 | | 16AC | 249x100x38 | 1 | |
| 5AC | 387x60x15 | 1 | | 17AC | 249x100x38 | 1 | |
| 6AC | 387x75x15 | 1 | | 18AC | 404x50x18 | 1 | |
| 7AC | 762x100x18 | 1 | | 19AC | 404x50x18 | 2 | |
| 8AC | 762x100x18 | 1 | | 20AC | 783x381x3 | 2 | |
| 9AC | 762x243x18 | 1 | | 18 | 300x130x14 | 1 | |
| 10AC | 762x243x18 | 1 | | 19 | 300x130x14 | 1 | |
| 11AC | 924x282xx15 | 1 | | 13A | 430x400x27 | 1 | |
| 12AC | 924x267xx15 | 1 | | 15D | 400x172x33 | 1 | |
| 13AC | 902x607x15 | 1 | | 16D | 334x130x14 | 1 | |
| 14AC | 926x608x15 | 1 | | 17D | 343x292x3 | 1 | |



2

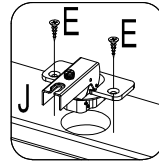


E 250012
3,5x15 x4

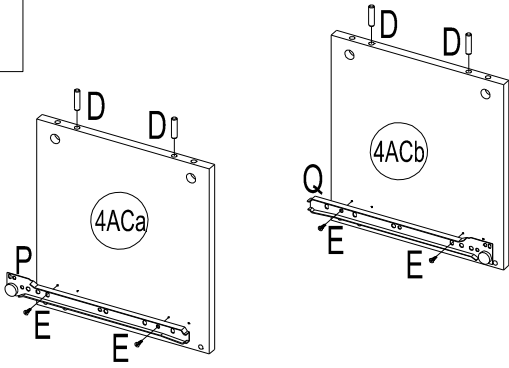
J 180056
x2

L 210020
x1

W 030052
M4x22 x1



3

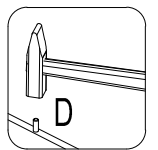
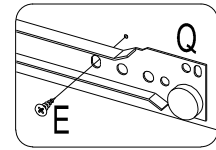
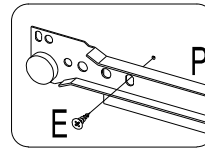
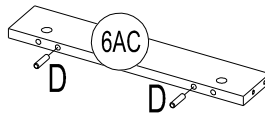


D 230010
8x32 x6

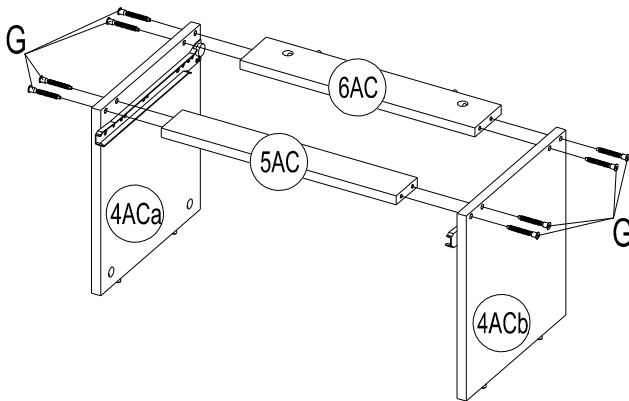
E 250012
3,5x15 x4

P 160027
x1

Q 160027
x1

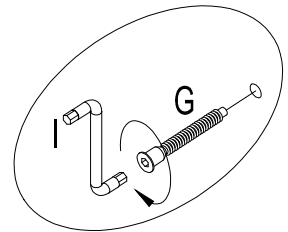


4

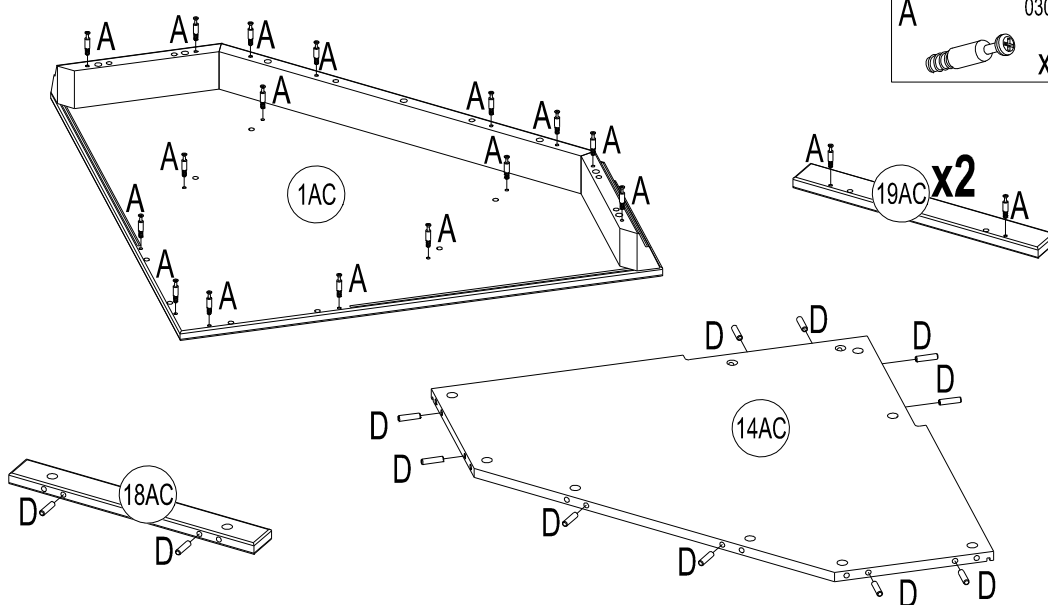


G 030034
7x50 x8

I 110022
SW4 x1

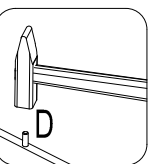
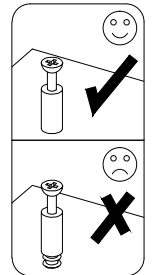
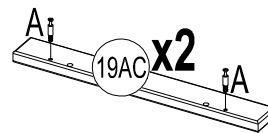


5

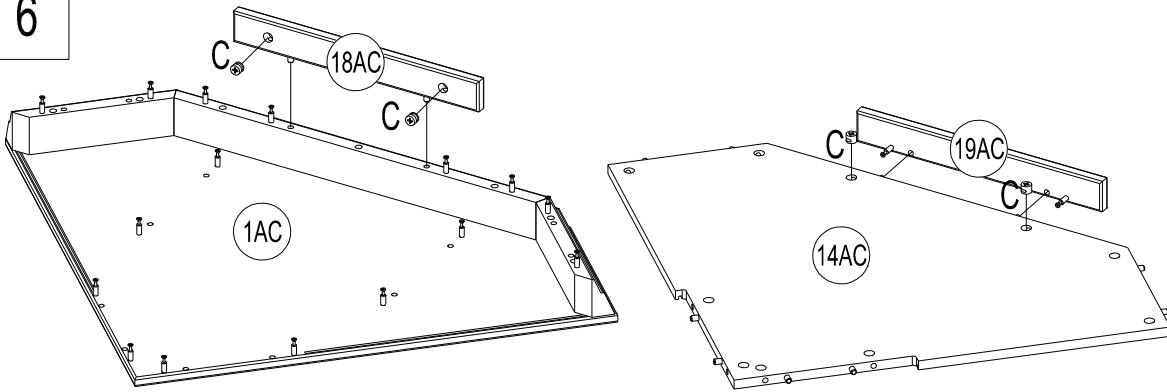


A 030093
x20

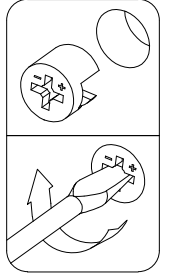
D 230010
8x32 x12



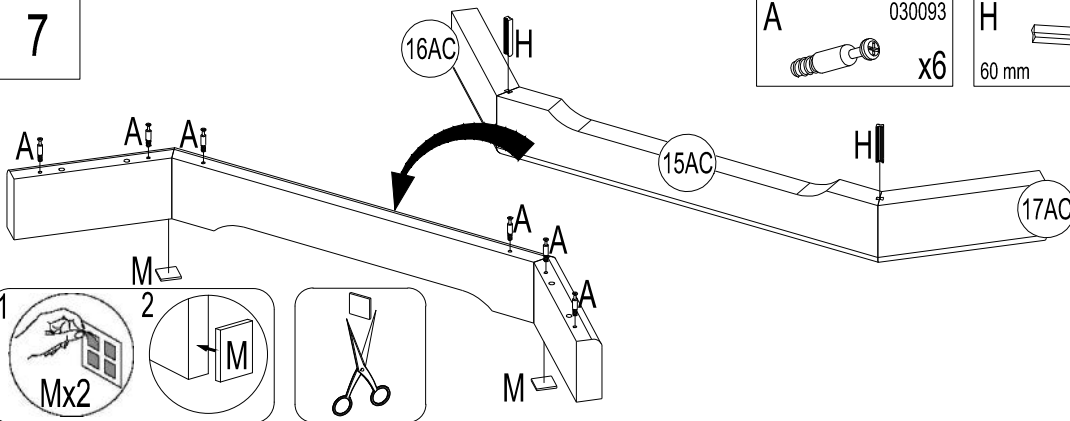
6



C 030110
x4



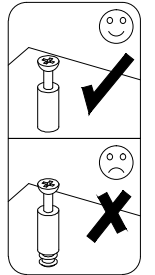
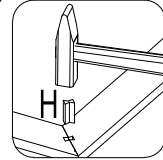
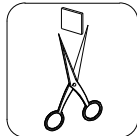
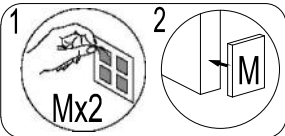
7



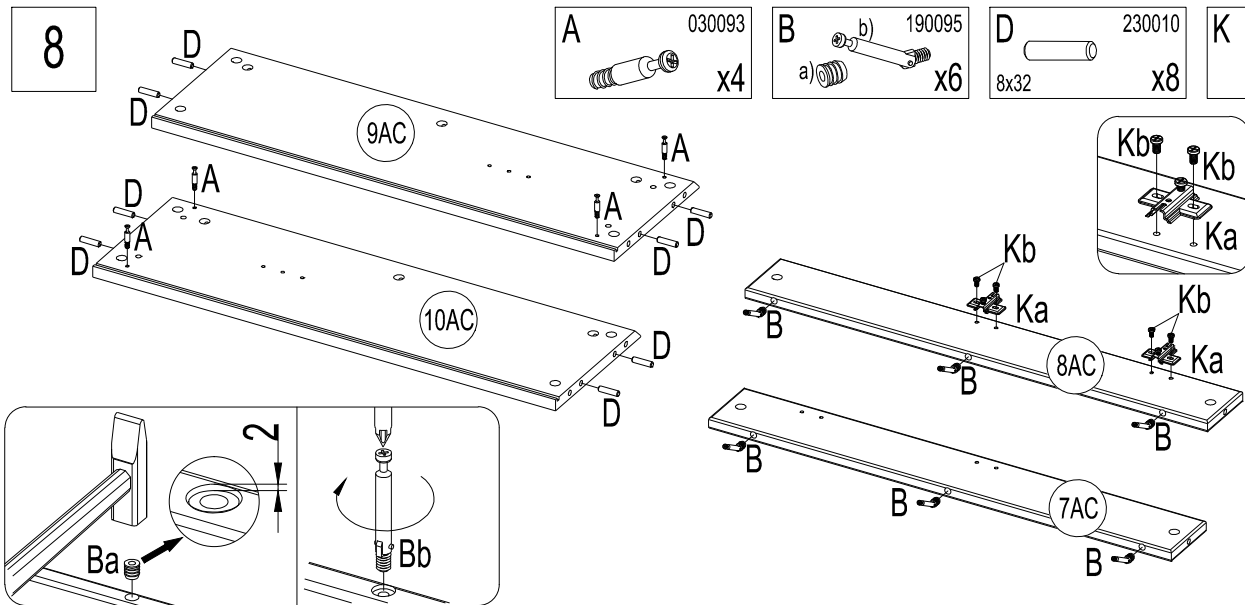
A 030093
x6

H 220017
60 mm x2

M 070017
30x30 x2



8

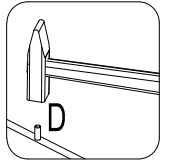
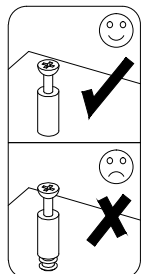
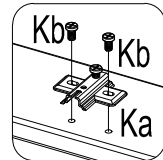
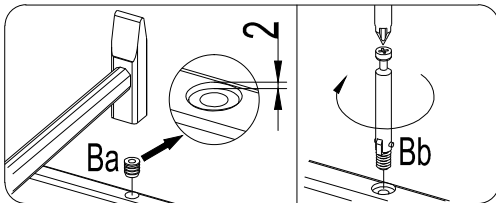


A 030093
x4

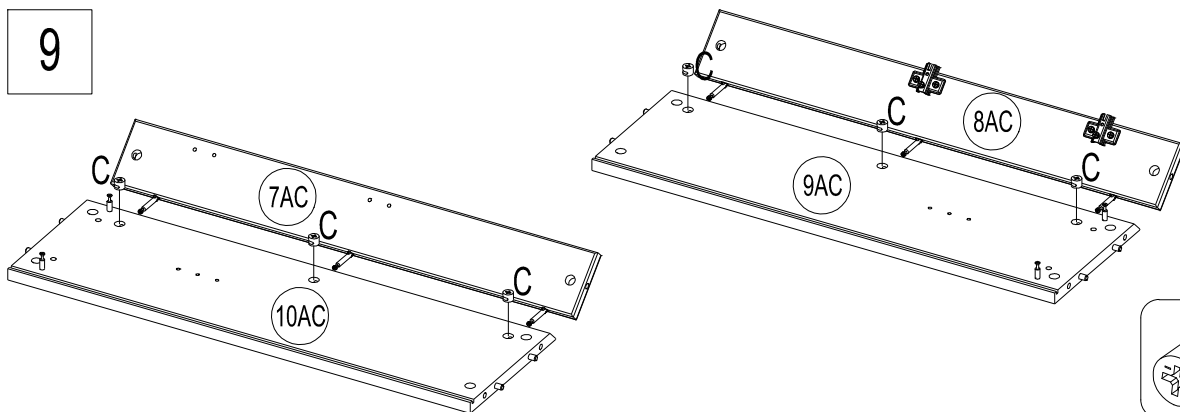
B a) 190095
b) x6

D 230010
8x32 x8

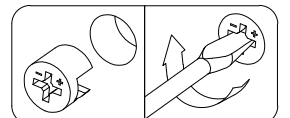
K a) 180034
b)x2 x2



9



C 030110
x6

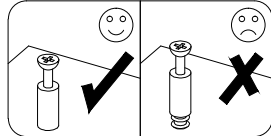
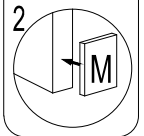
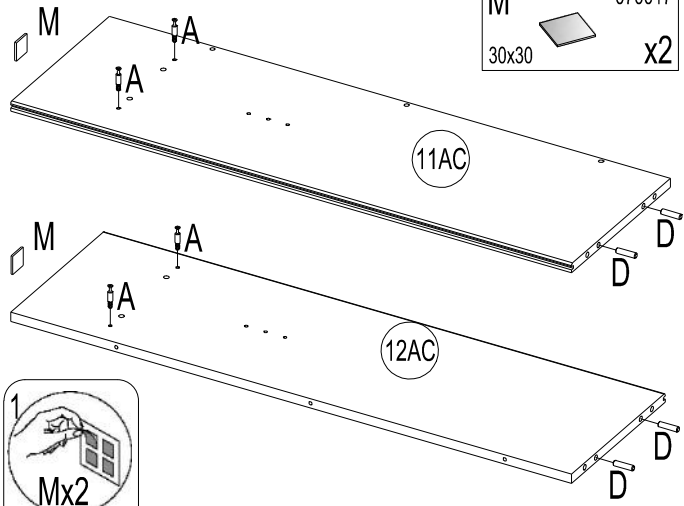


10

A 030093 x4

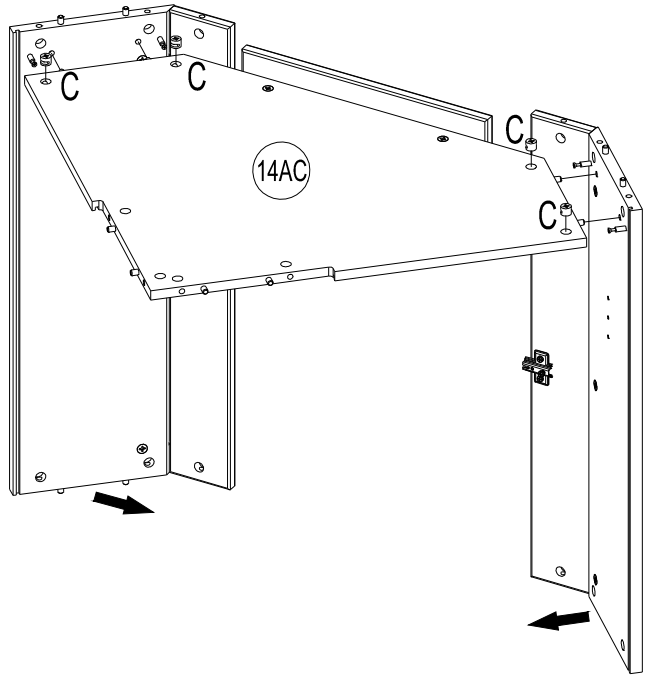
D 230010 8x32 x4

M 070017 30x30 x2



11

C 030110 x4

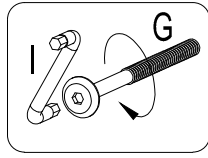
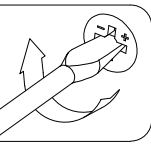
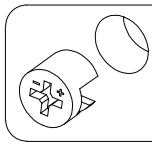
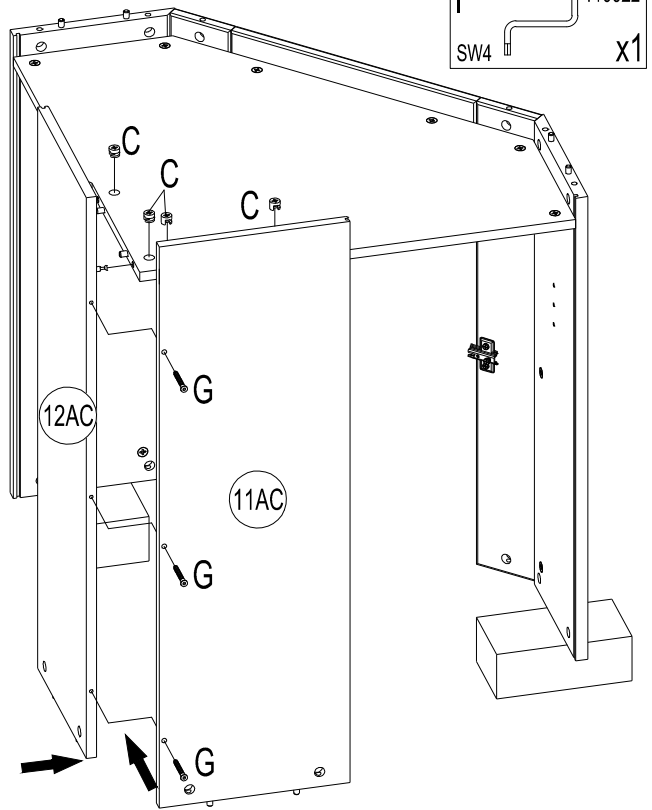


12

C 030110 x4

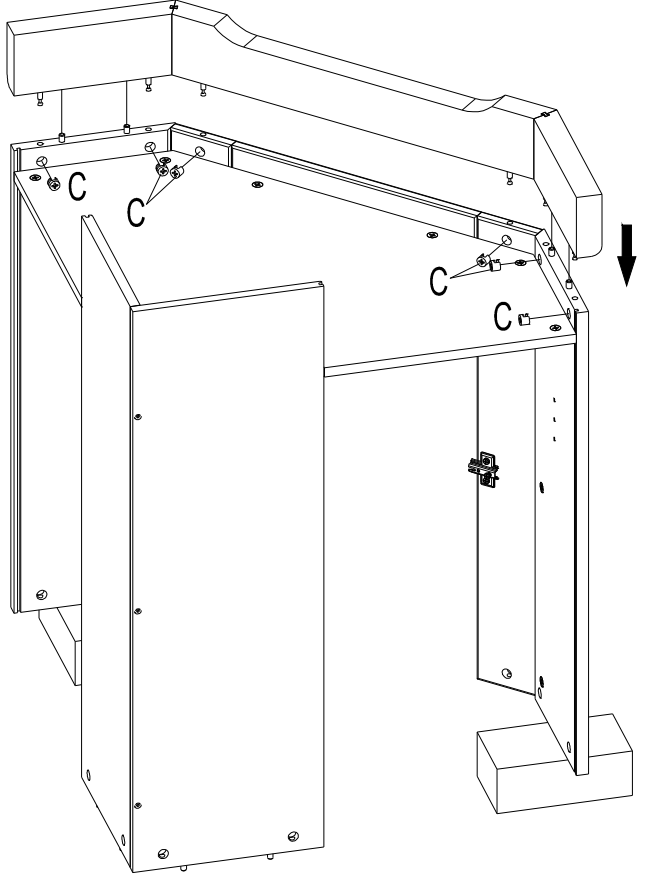
G 030034 7x50 x3

I 110022 SW4 x1



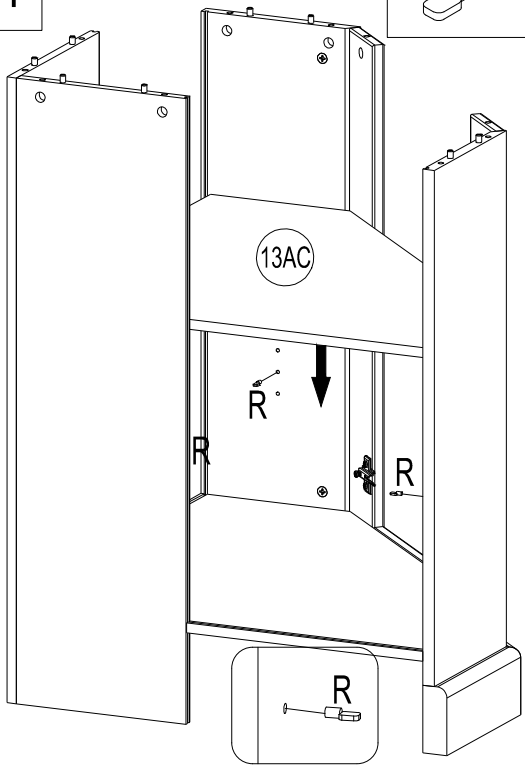
13

C 030110 x6

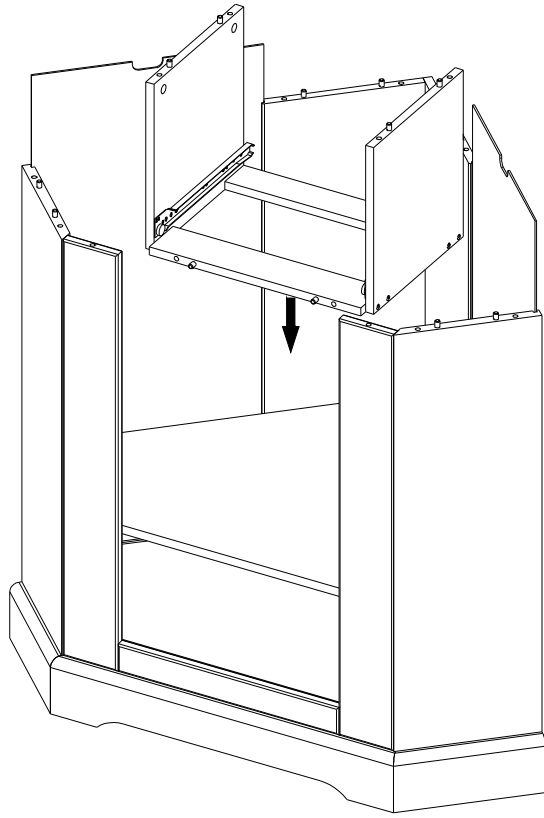


14

R 190009 x4

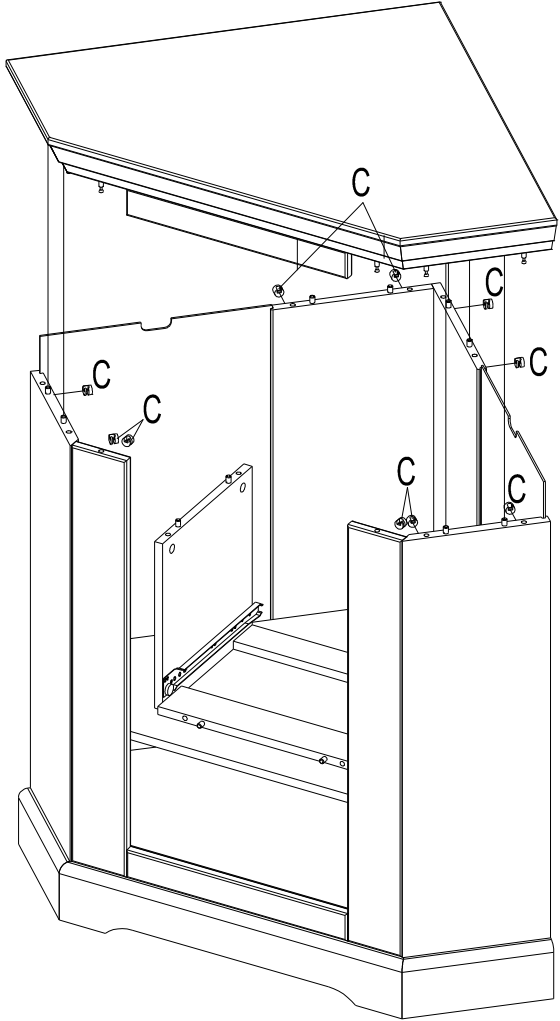


15



16

C 030110 x10



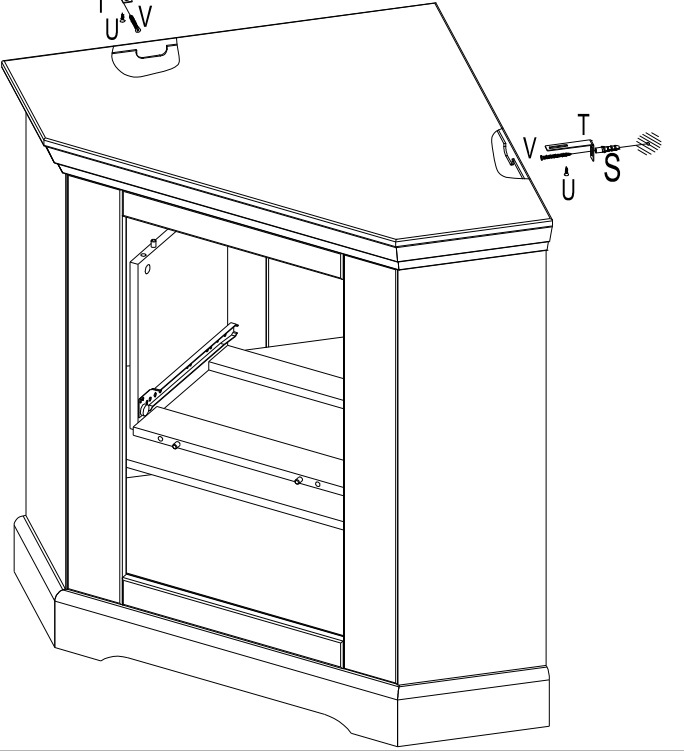
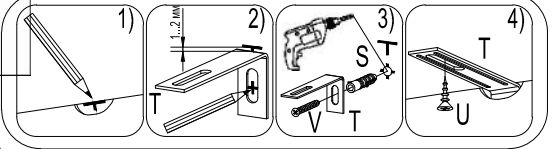
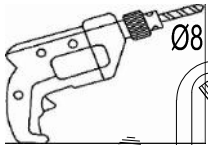
17

S 090001 8x50 x2

T 180080 x2

U 250012 3,5x15 x2

V 250069 5x50 x2

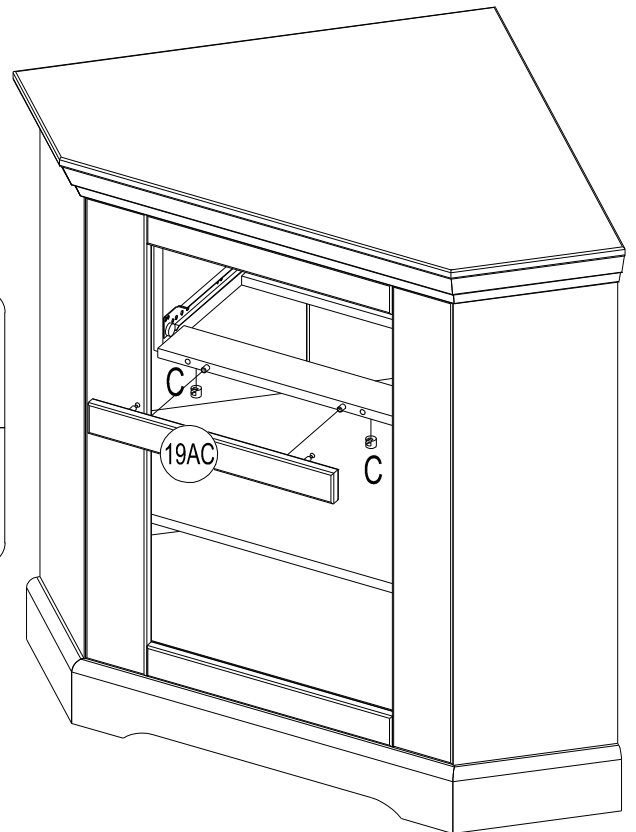
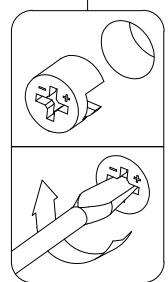
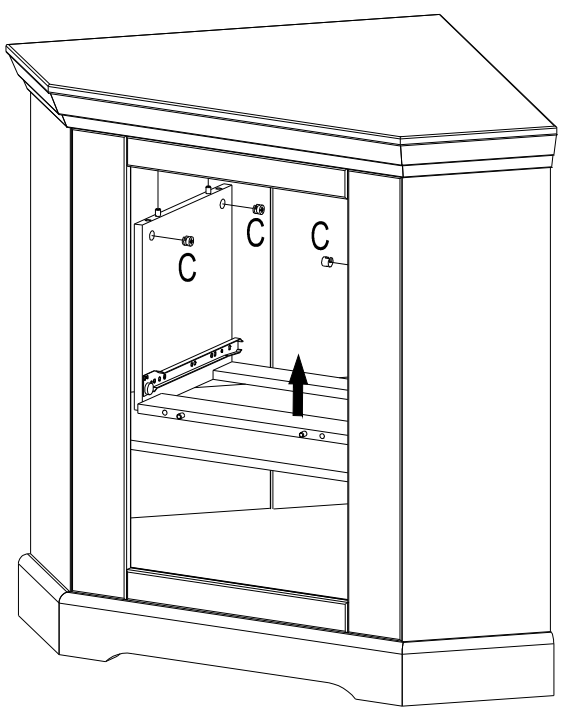


18

C 030110 x4

19

C 030110 x2



20

E 250012 3,5x15 x2

