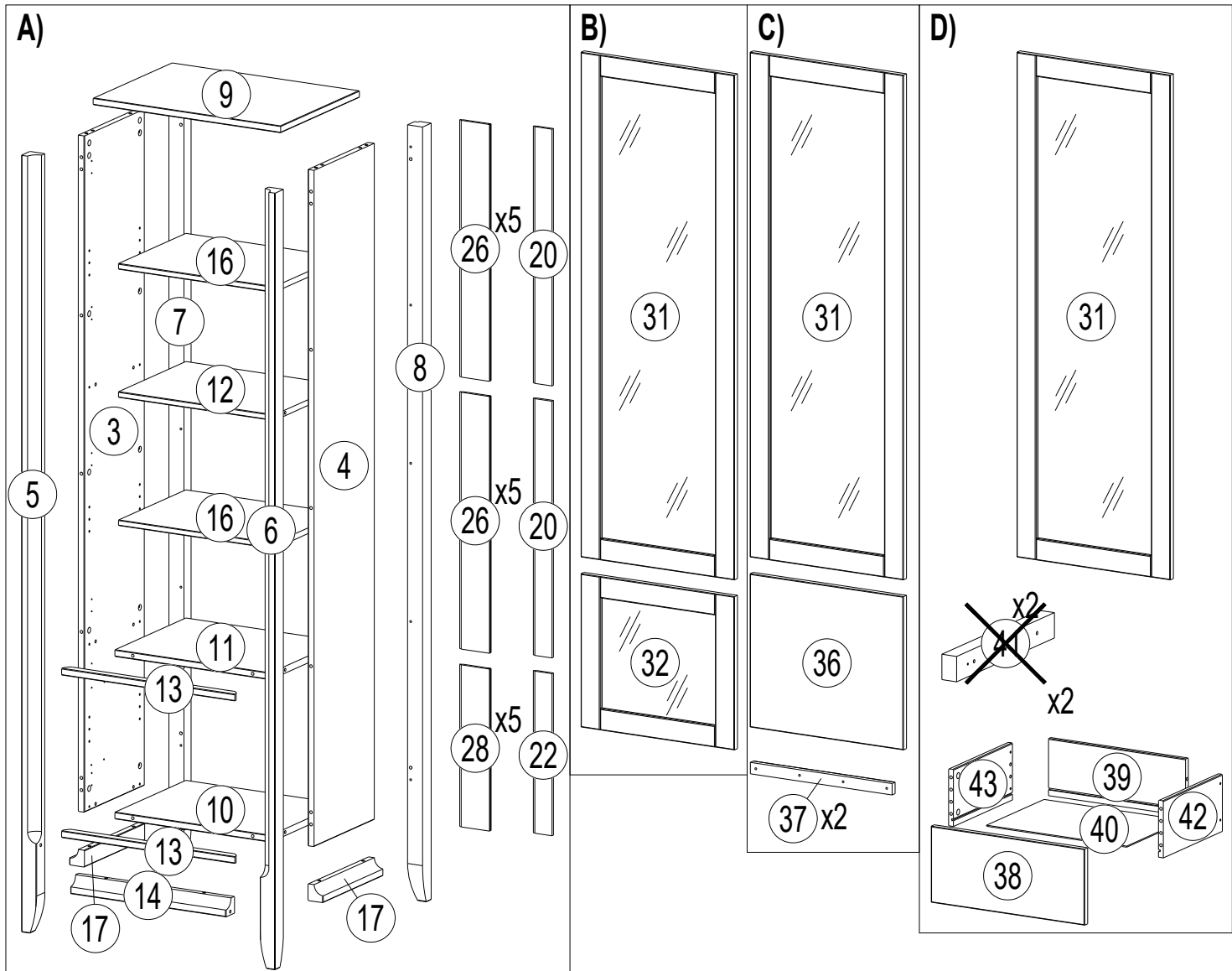


120 min

0
10
20
30
40
50
60
70
80
90
100
110
120
130
140
150
160
170
180



A)	B)	C)	D)	E)	F)
A 030093 x42	B 030110 x42	C 230010 8x32 x26	D 030033 7x50 x4	E 110022 SW4 x1	F 190002 x8
G 220043 1,2x20 x3	H 070017 30x30 x4	Q 100077 100078 x24	Z1 090004 8x40 x1	Z2 180080 76x31x15 x1	Z3 250012 3,5x15 x1

B)	I 210141 a) b) x2	J 140007 x1	K 250012 3,5x15 x24	M 180123 a) b) x6	Z4 250044 4x40 x1
-----------	--------------------------------	-----------------------	----------------------------------	--------------------------------	--------------------------------

C)	I 210141 a) b) x2	J 140007 x1	K 250012 3,5x15 x24	L 250021 3,5x30 x8	M 180123 a) b) x6
-----------	--------------------------------	-----------------------	----------------------------------	---------------------------------	--------------------------------

D)	A 030093 x8	B 030110 x8	C 230010 8x32 x20	I 210141 a) b) x3	K 250012 3,5x15 x40	M 180123 a) b) x4
N 250024 3,5x35 x8	O 250044 4x40 x4	P 160064 x4				

A)

№	Size/MaB (mm)	Qty	✓	№	Size/MaB (mm)	Qty	✓
3	1778x306x18	1		12	456x342x15	1	
4	1778x306x18	1		13	508x26x18	2	
5	2042x44x44	1		14	456x44x44	1	
6	2042x44x44	1		16	456x342x15	2	
7	2042x44x44	1		17	306x44x44	2	
8	2042x44x44	1		20	675x56x8	2	
9	550x400x18	1		22	426x56x8	1	
10	456x368x18	1		26	675x89x8	10	
11	456x360x18	1		28	426x89x8	5	

B)

№	Size/MaB (mm)	Qty	✓	№	Size/MaB (mm)	Qty	✓
31	1327x450x18	1		32	403x450x18	1	

C)

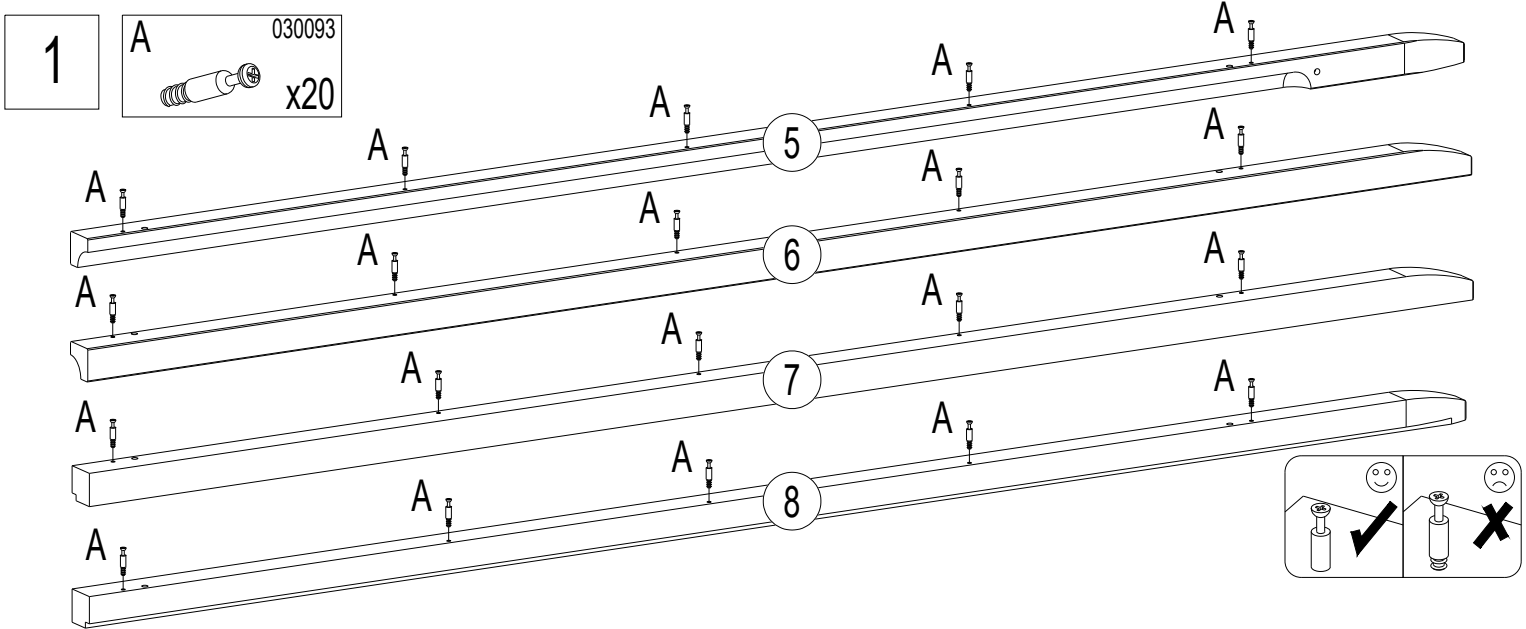
№	Size/MaB (mm)	Qty	✓	№	Size/MaB (mm)	Qty	✓
31	1327x450x18	1		37	416x30x18	2	
36	403x450x18	1					

D)

№	Size/MaB (mm)	Qty	✓	№	Size/MaB (mm)	Qty	✓
31	1327x450x18	1		41	298x40x26	2	
38	450x200x18	2		42	300x150x14	2	
39	402x150x14	2		43	300x150x14	2	
40	411x292x3	2					

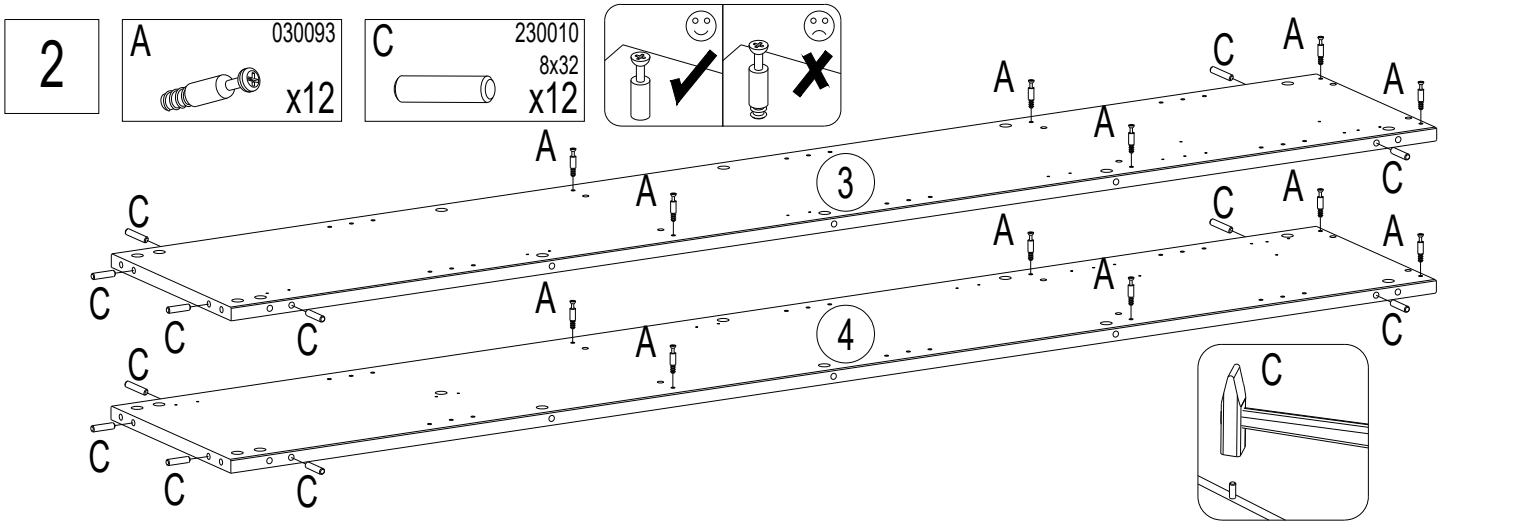
A)

1 **A** 030093 x20



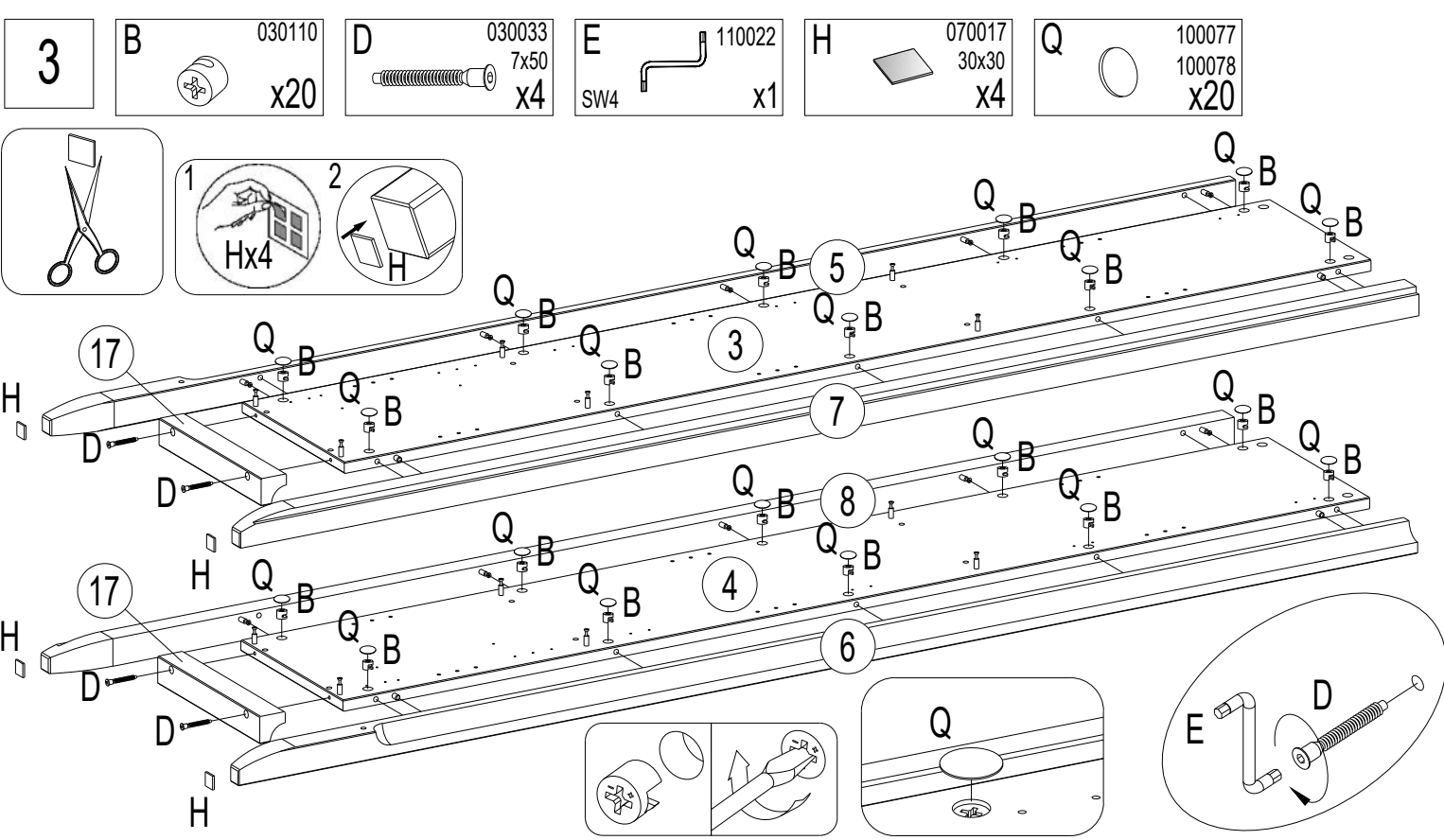
5 6 7 8

2 **A** 030093 x12 **C** 230010 8x32 x12

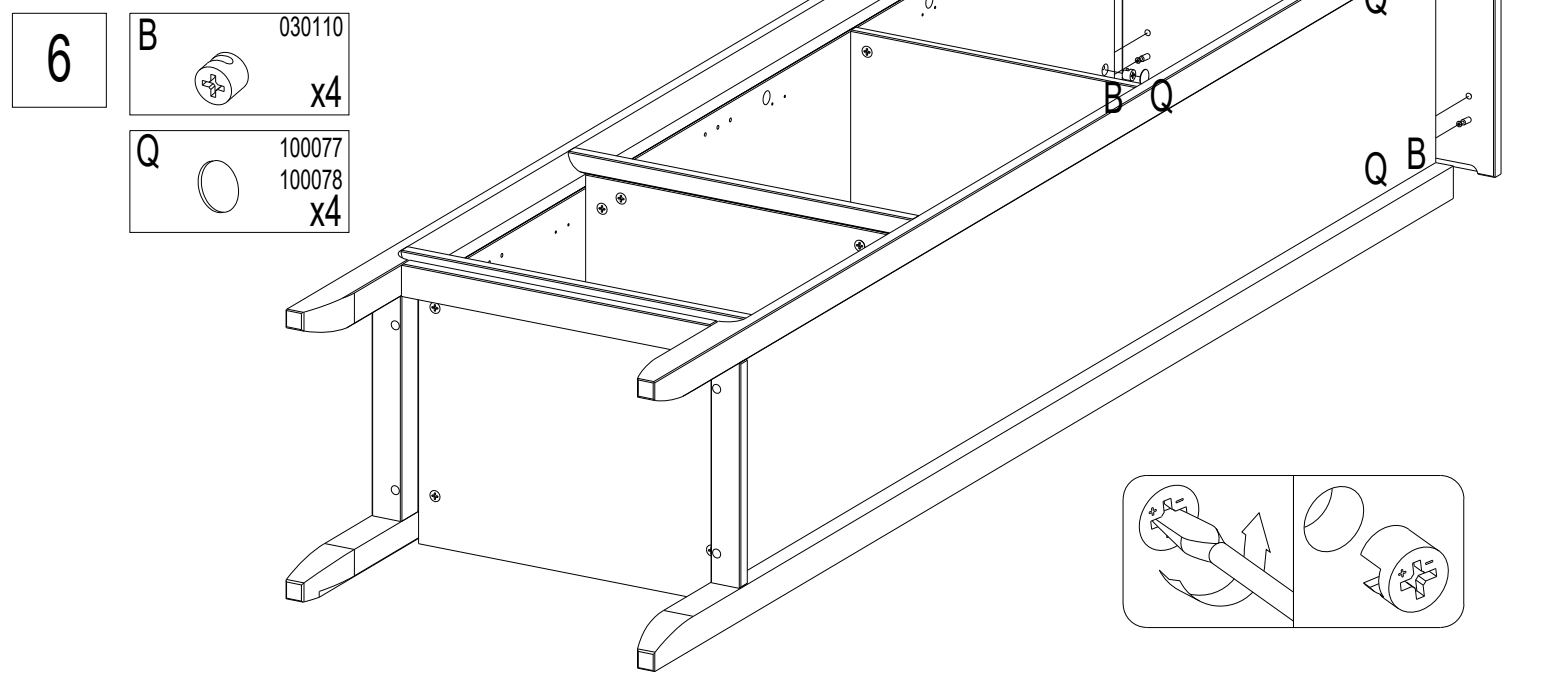
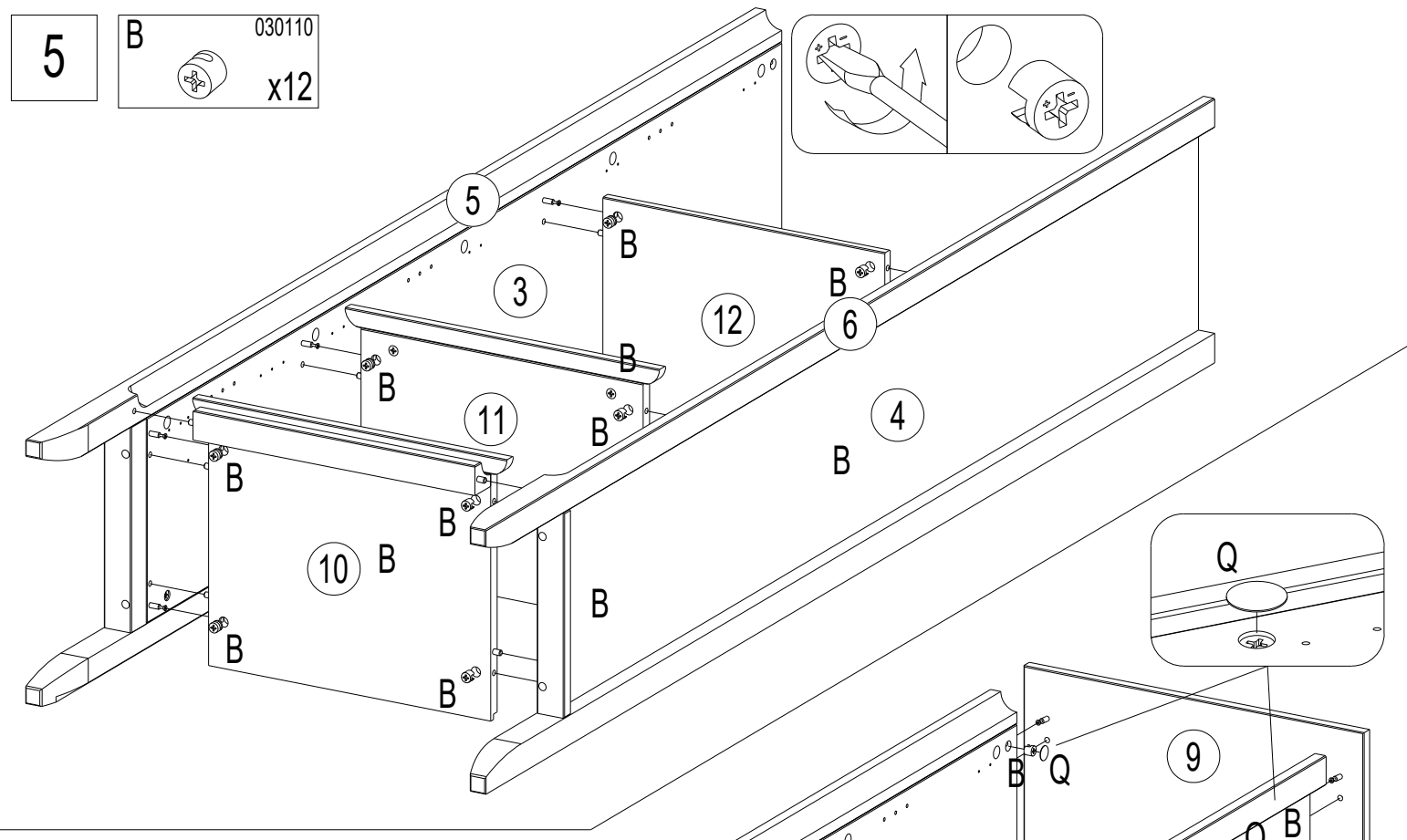
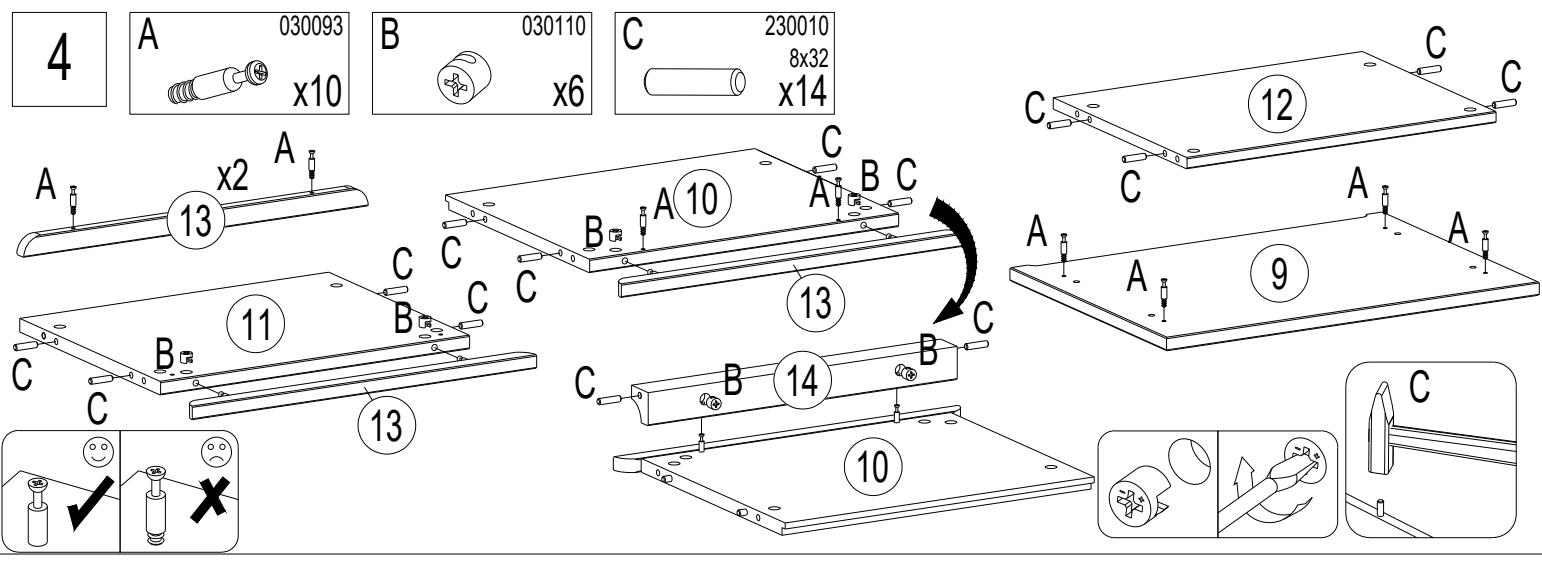


3 4

3 **B** 030110 x20 **D** 030033 7x50 x4 **E** SW4 110022 x1 **H** 070017 30x30 x4 **Q** 100077 100078 x20

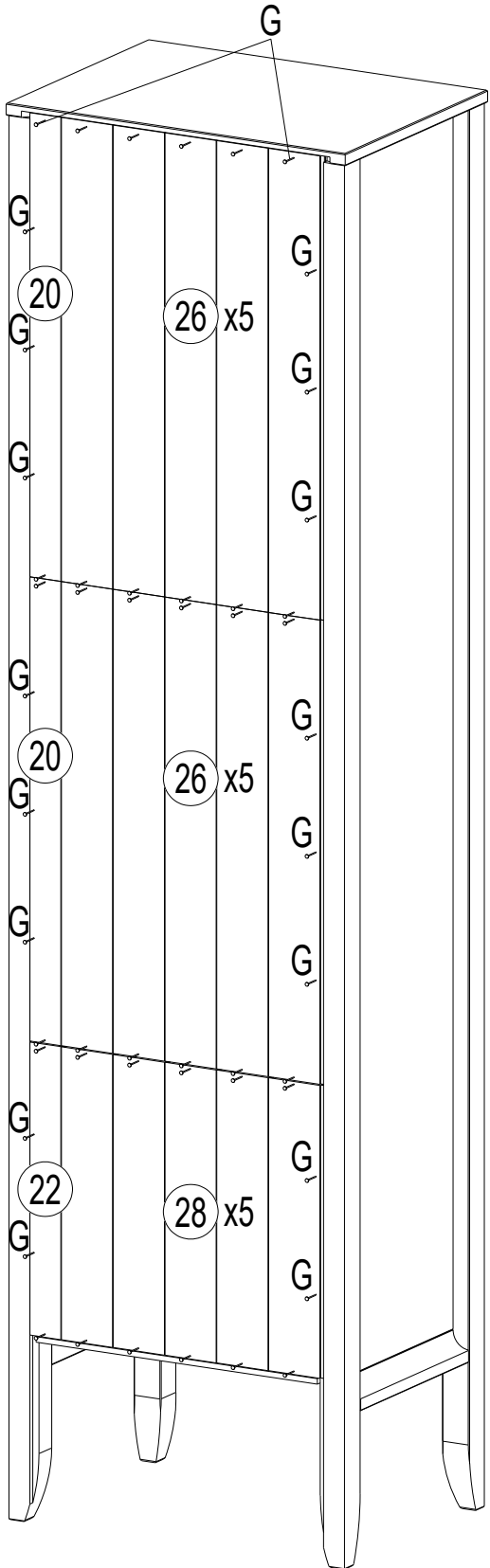
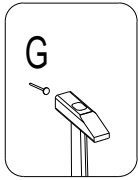


17 3 4 5 6 7 8



7

G 220043
1,2x20 x3



8

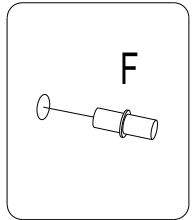
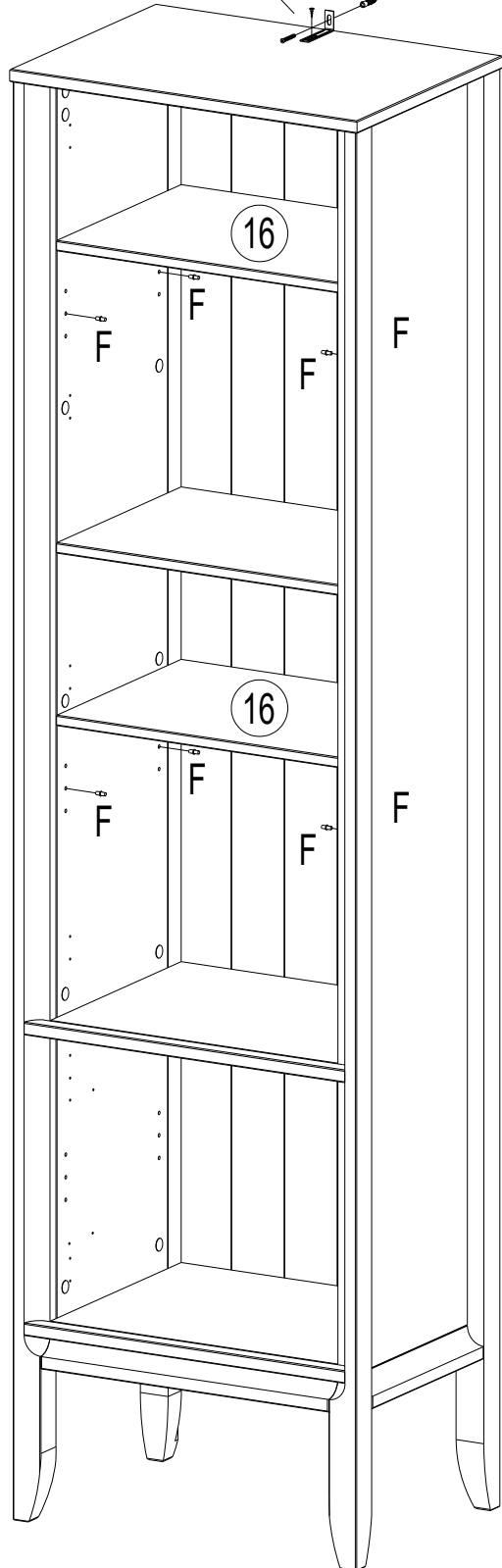
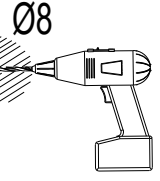
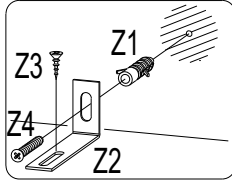
F 190002
x8

Z1 090004
8x40 x1

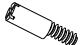


Z2 180080
76x31x15 x1

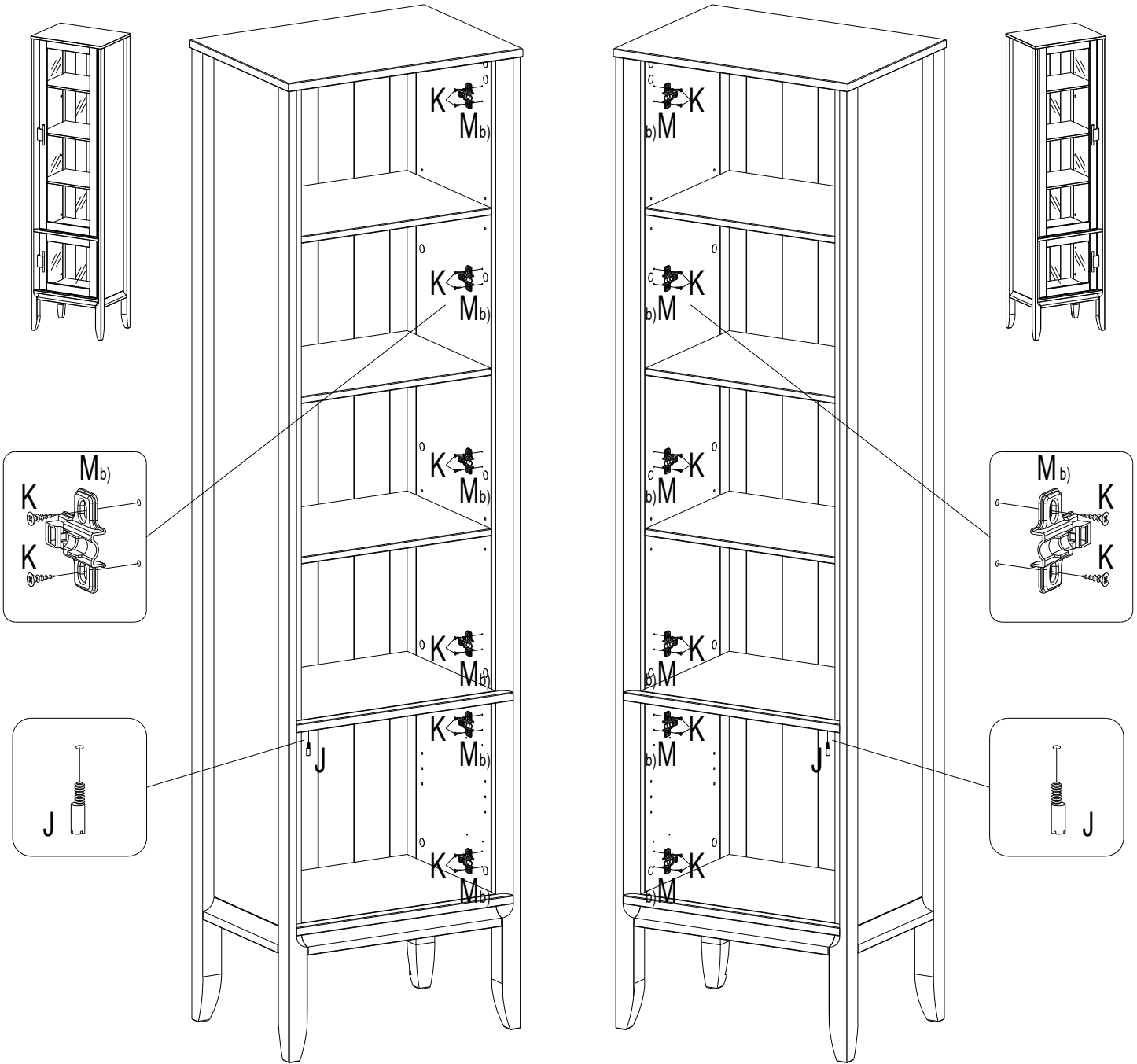
Z4 250044
4x40 x1

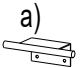

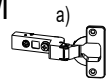
Z3 250012
3,5x15 x1

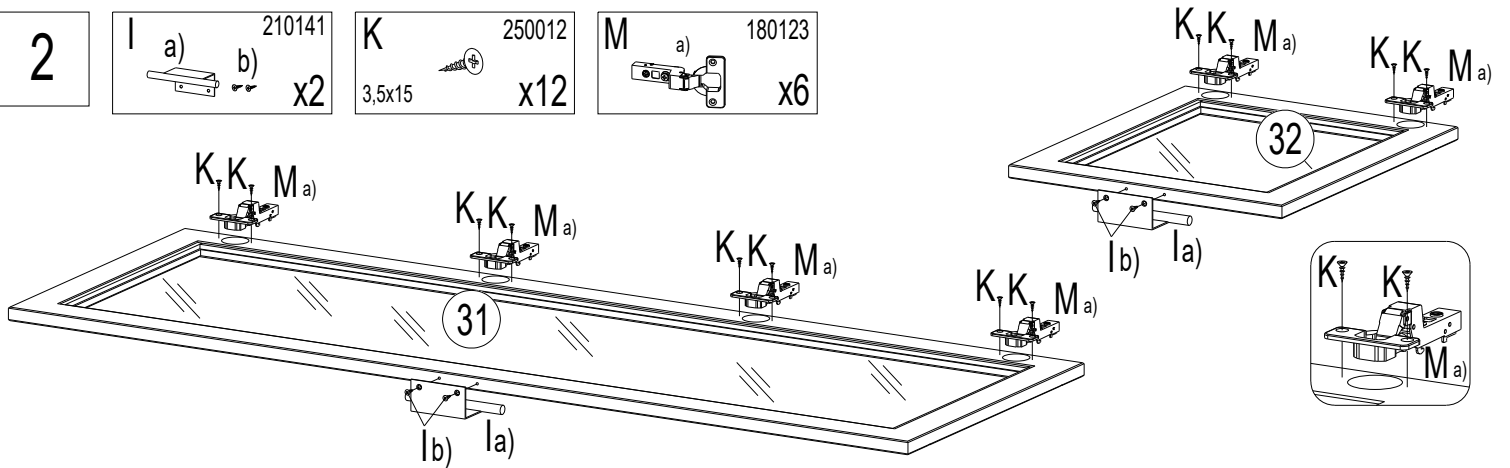


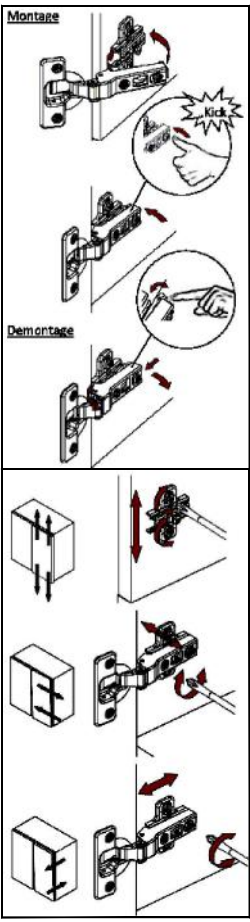
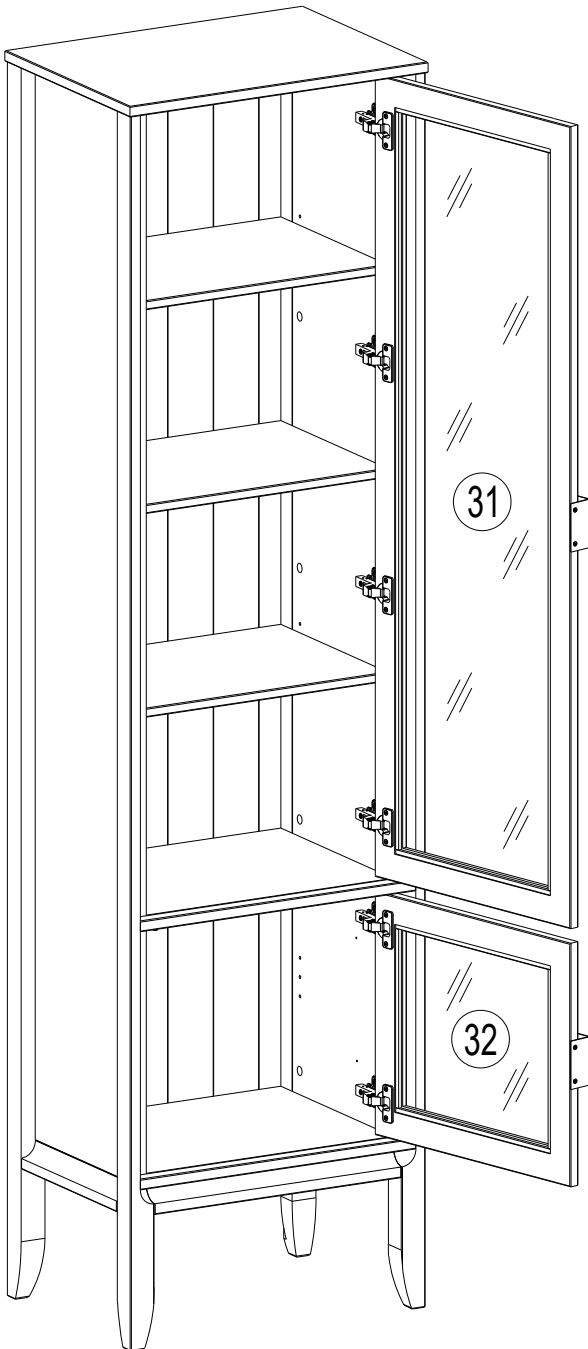
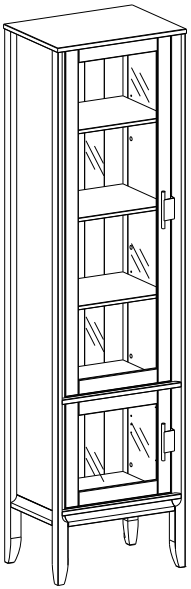
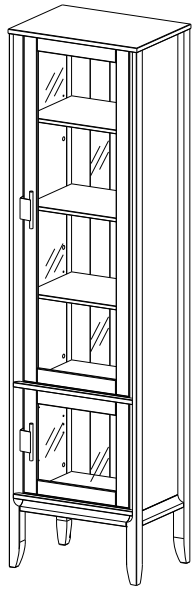
B)

- | | | | | | | |
|---|---|--------|---|--------|-----|---|
| 1 | J | 140007 | K | 250012 | M | 180123 |
| |  | x1 |  | 3,5x15 | x12 |  |



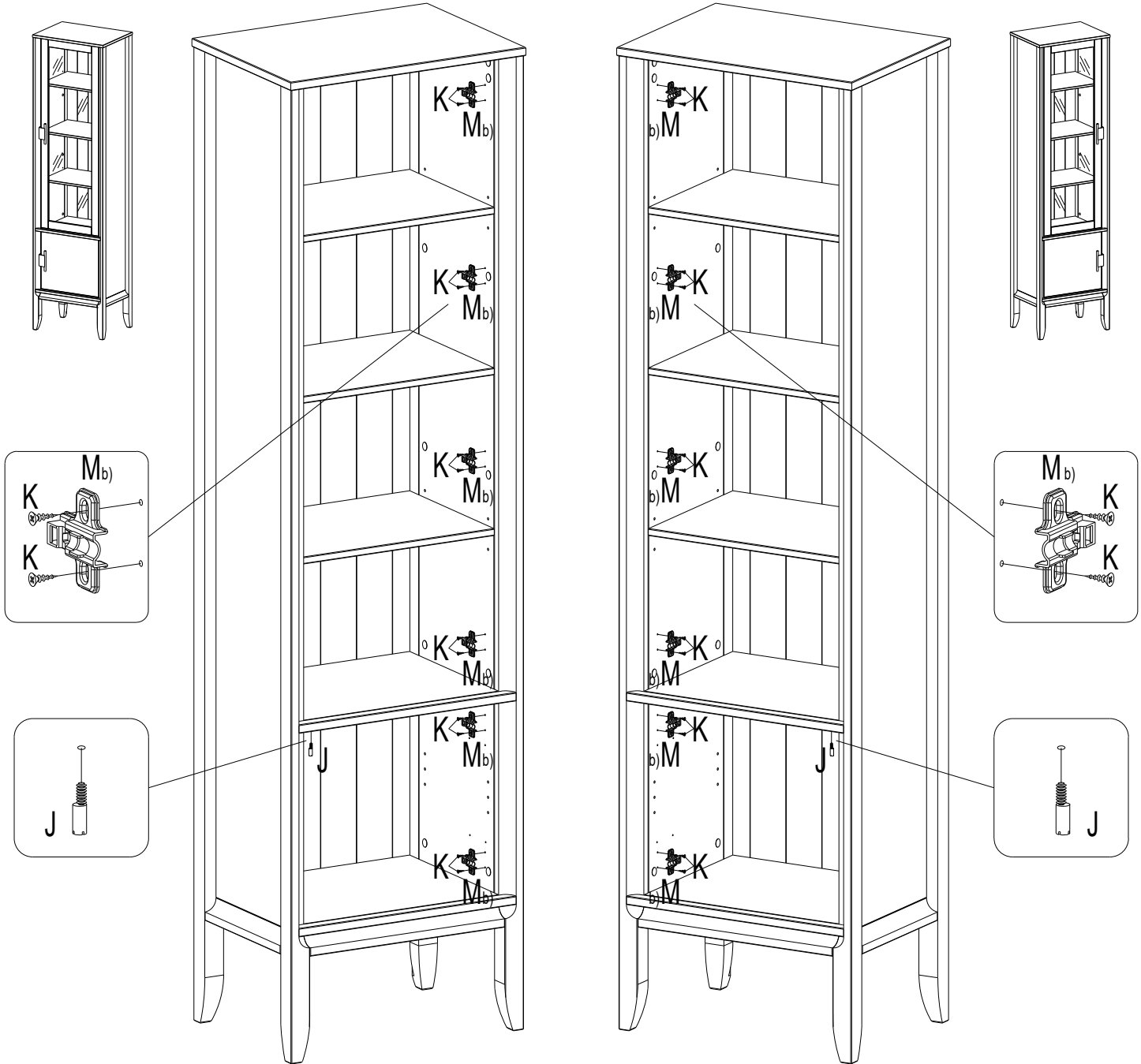
- | | | | | | | |
|---|---|--------|---|--------|-----|---|
| 2 | I | 210141 | K | 250012 | M | 180123 |
| |  | x2 |  | 3,5x15 | x12 |  |



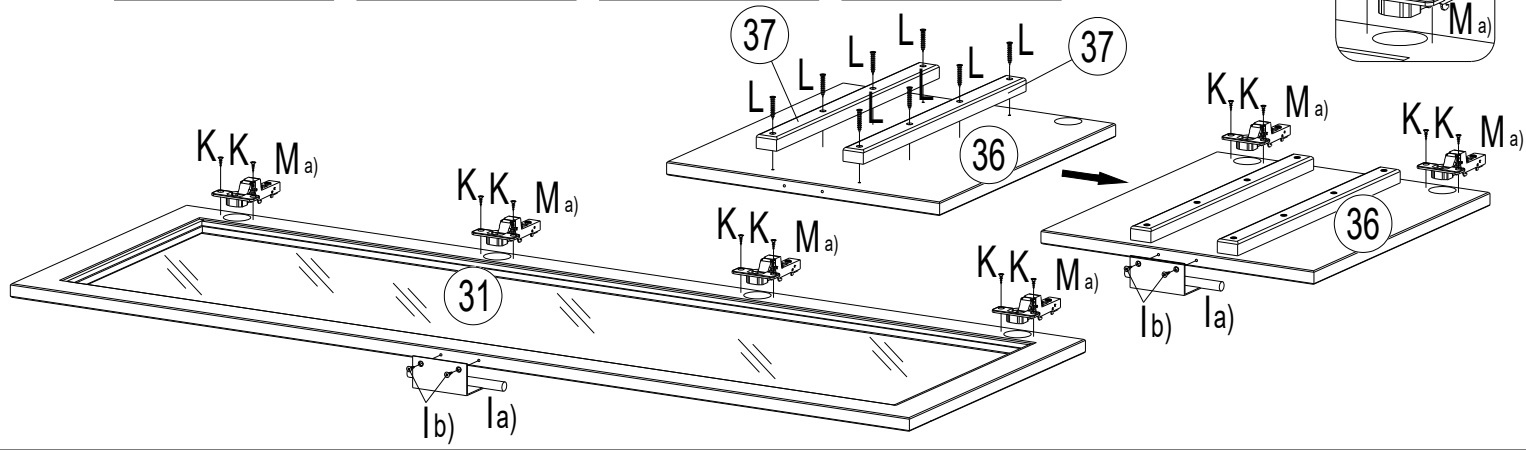


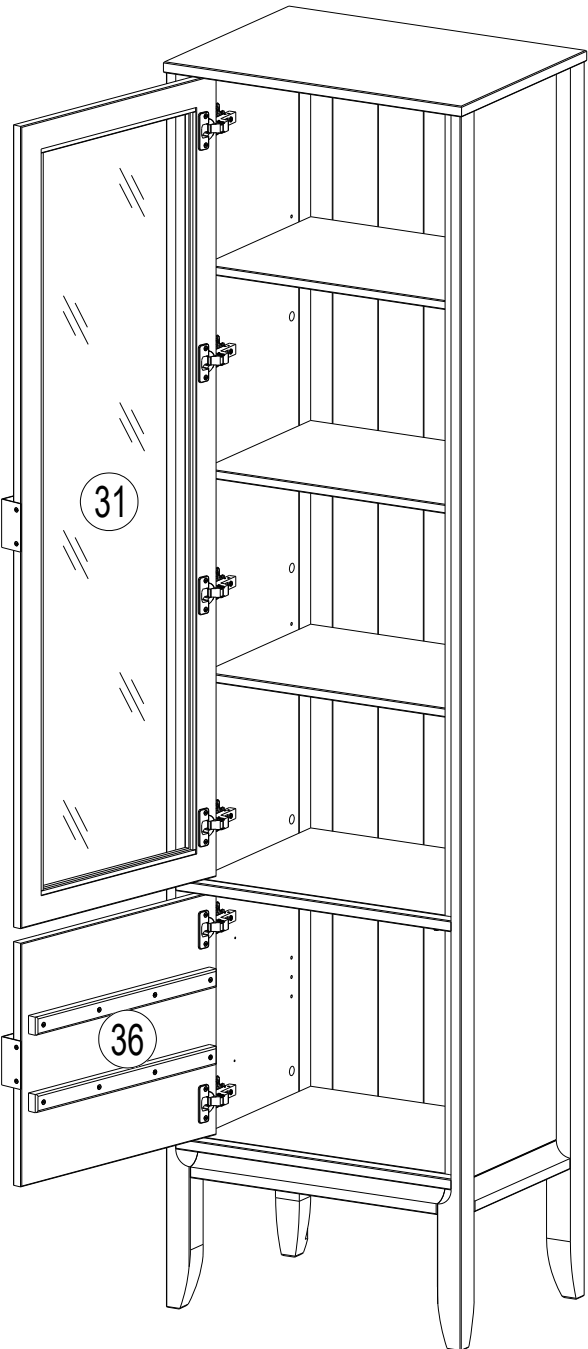
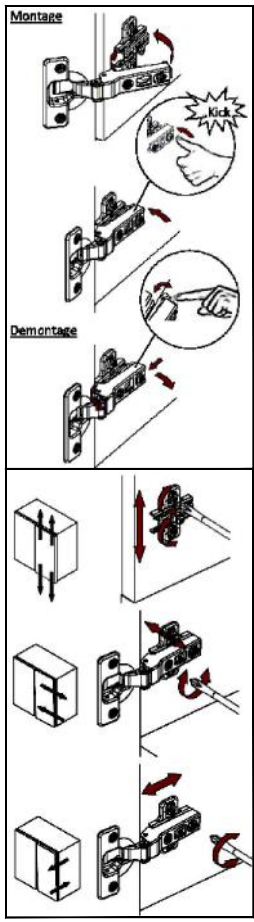
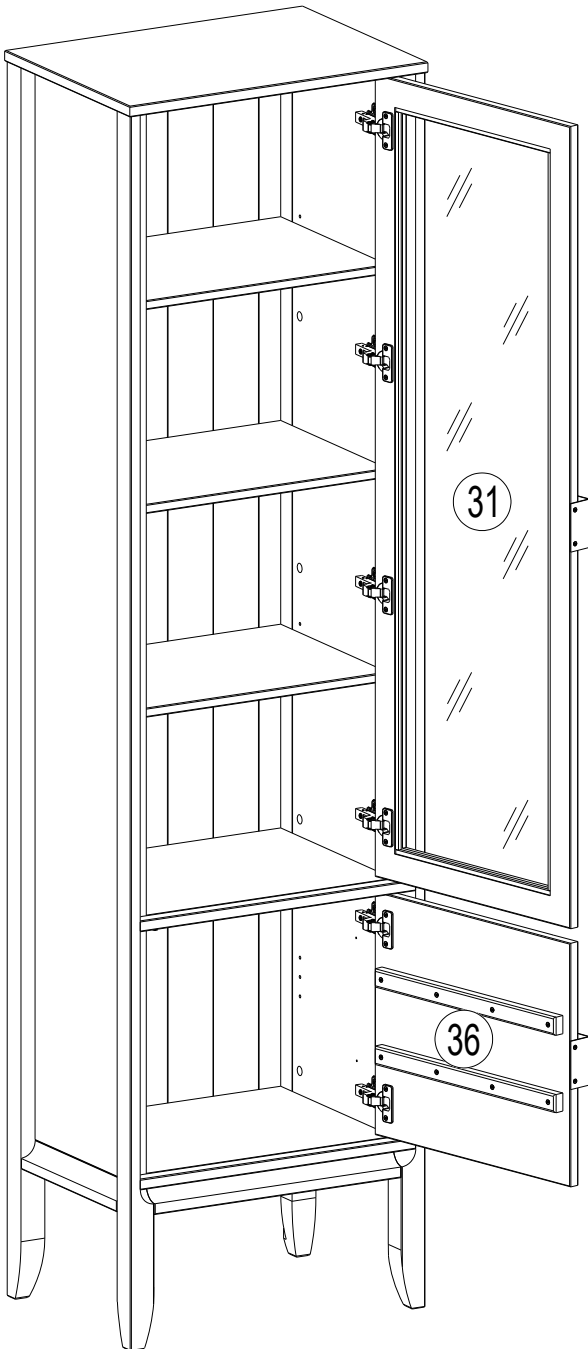
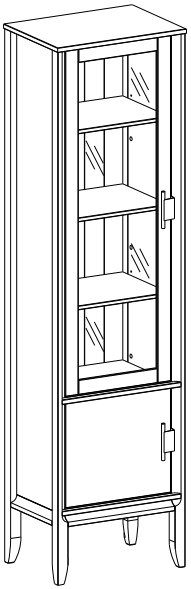
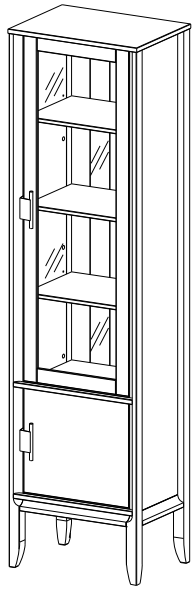
C)

- | | | | | | | | |
|---|---|--------|---|--------|-----|----|--------|
| 1 | J | 140007 | K | 250012 | M | b) | 180123 |
| | | x1 | | 3,5x15 | x12 | | x6 |



- | | | | | | | | | | | | |
|---|---|----|----|--------|-----|--------|--------|--------|---|----|--------|
| 2 | I | a) | b) | 210141 | K | 250012 | L | 250021 | M | a) | 180123 |
| | | x2 | | 3,5x15 | x12 | | 3,5x30 | x8 | | x6 | |





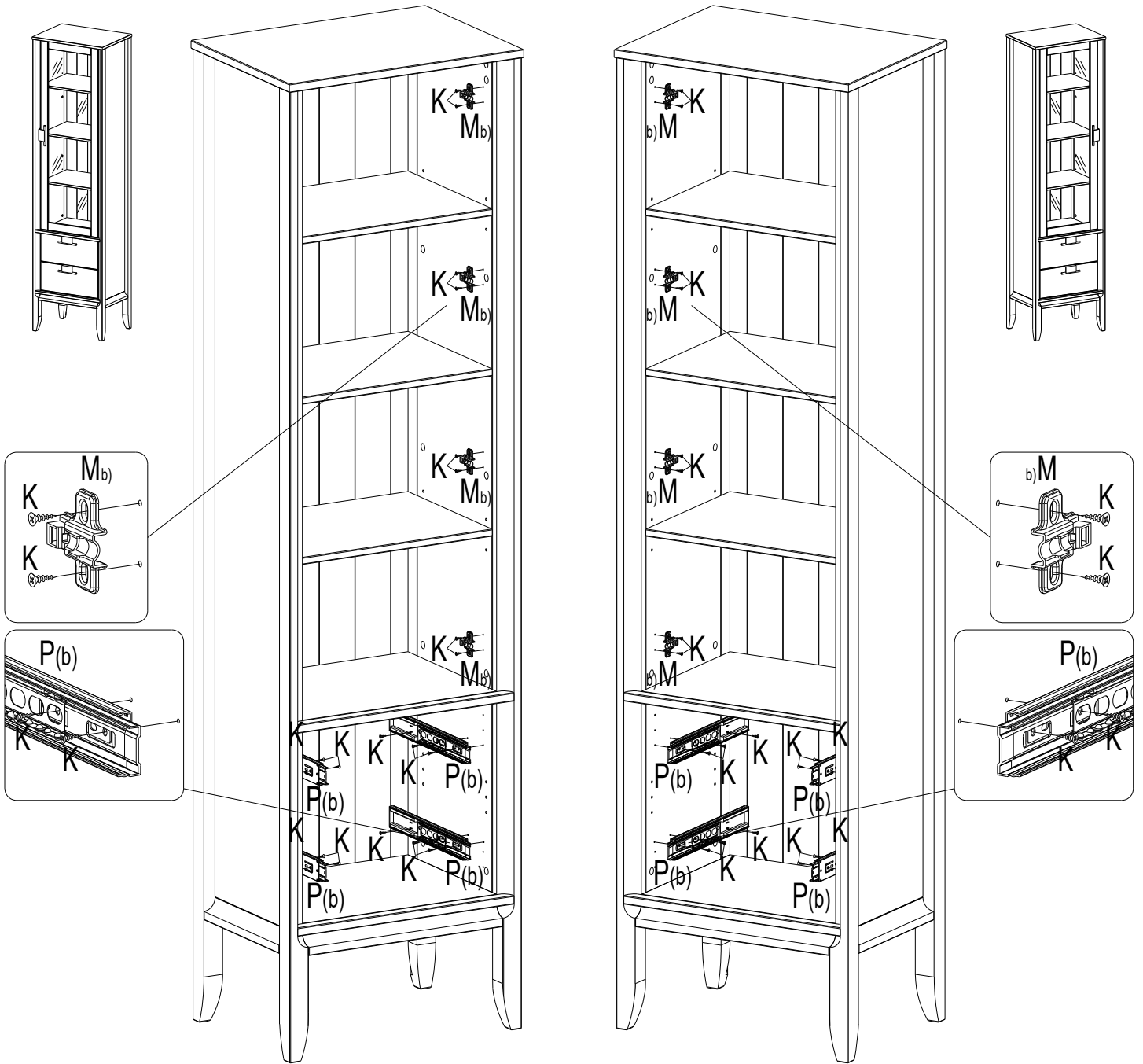
D)

1

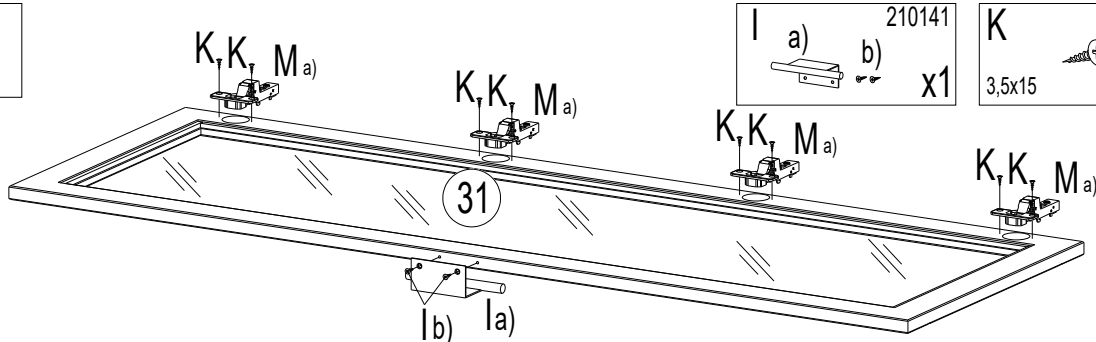
K 250012
3,5x15 x20

M(b) 180123
x4

P(b) 160064
x4



2



I 210141
a) b) x1

K 250012
3,5x15 x8

M 180123
a) x4

