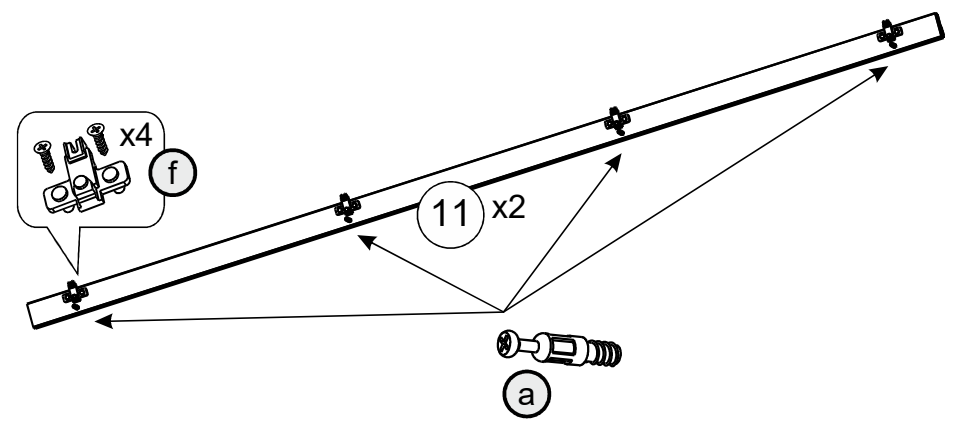
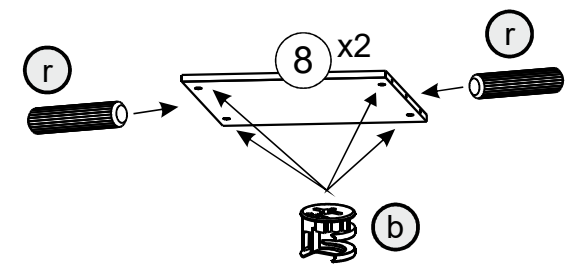
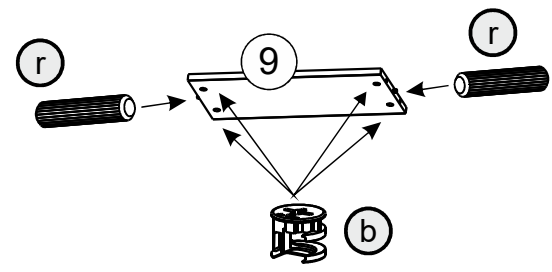
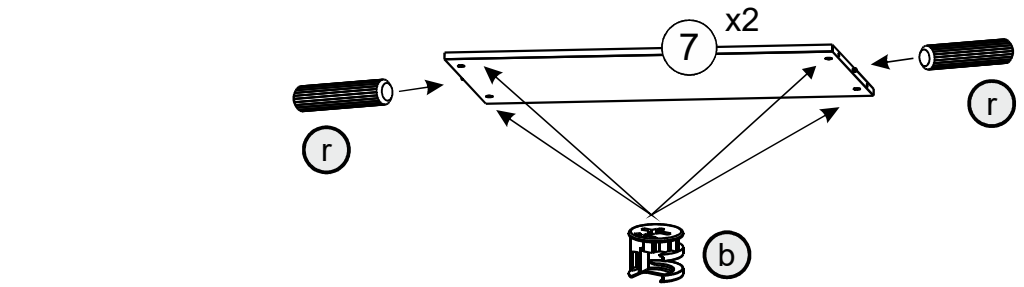
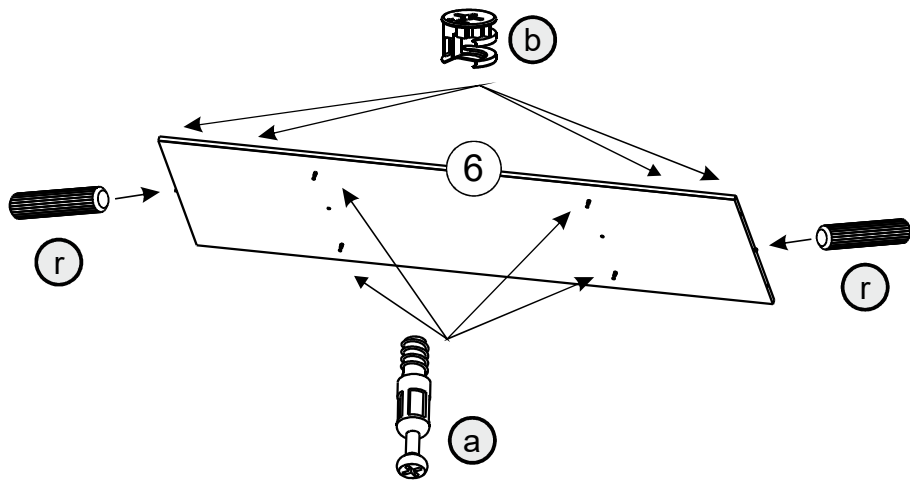
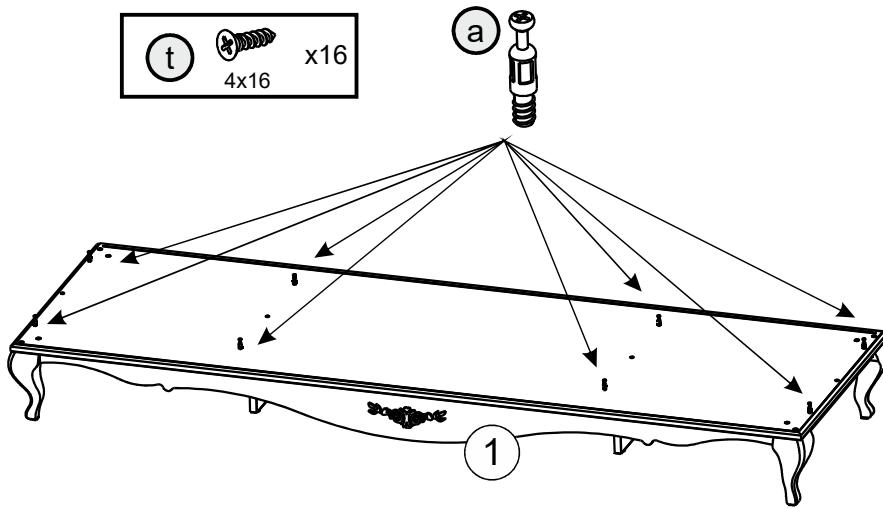
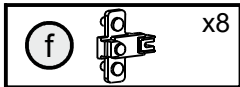
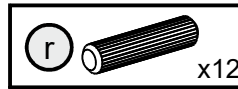
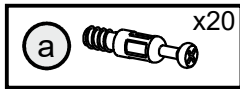
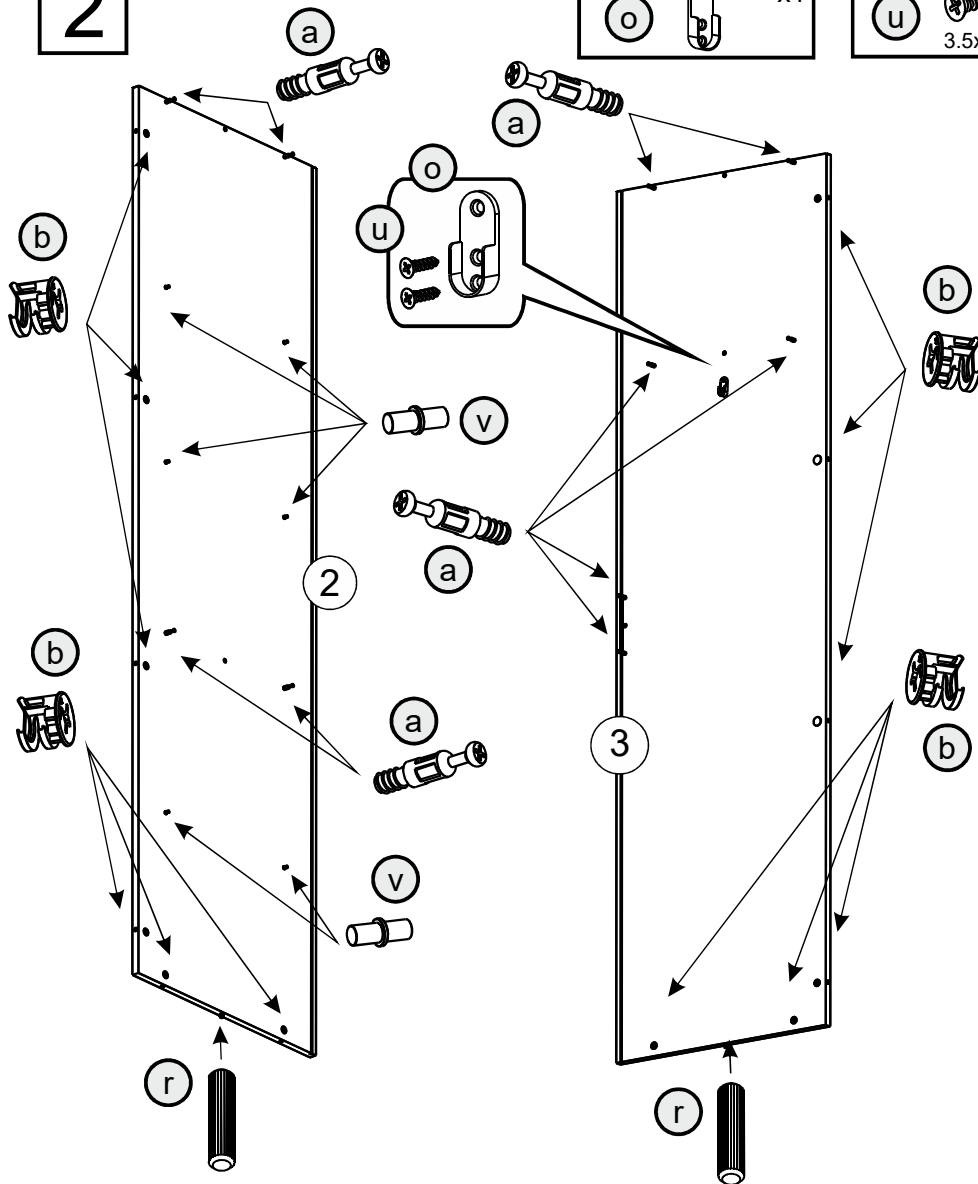


1



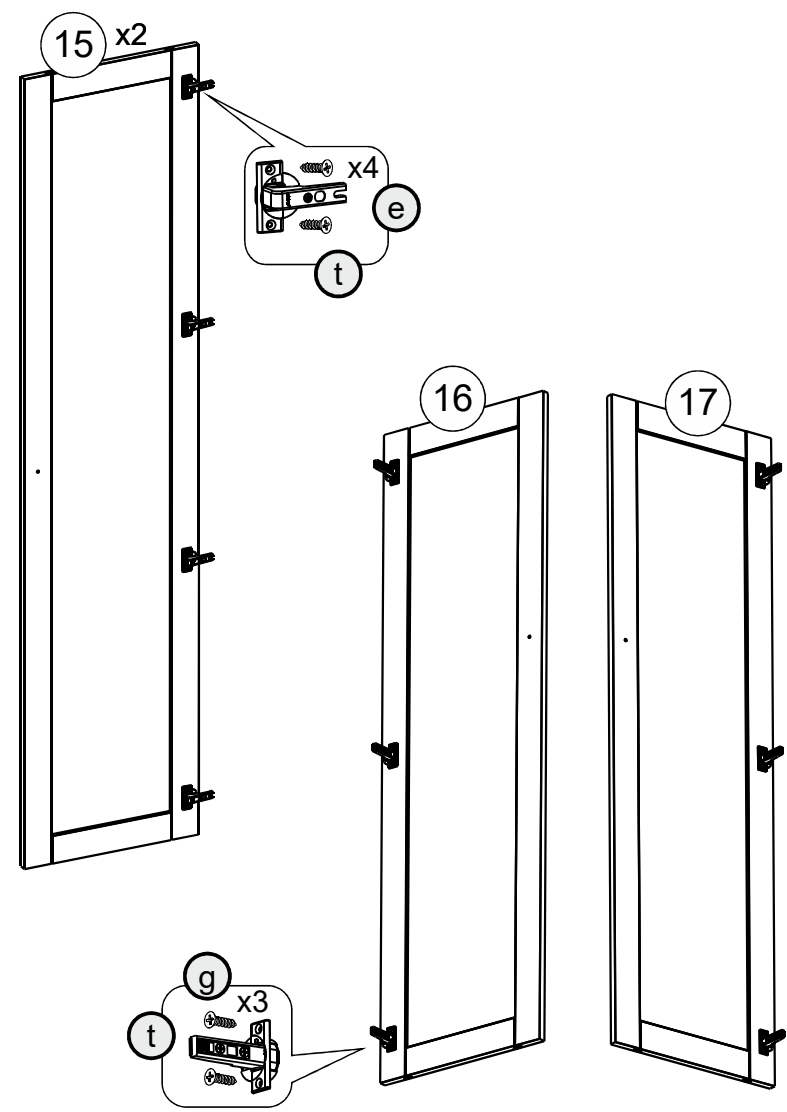
- a x10
- b x12
- r x2
- v x6
- o x1
- u 3.5x16 x2

2

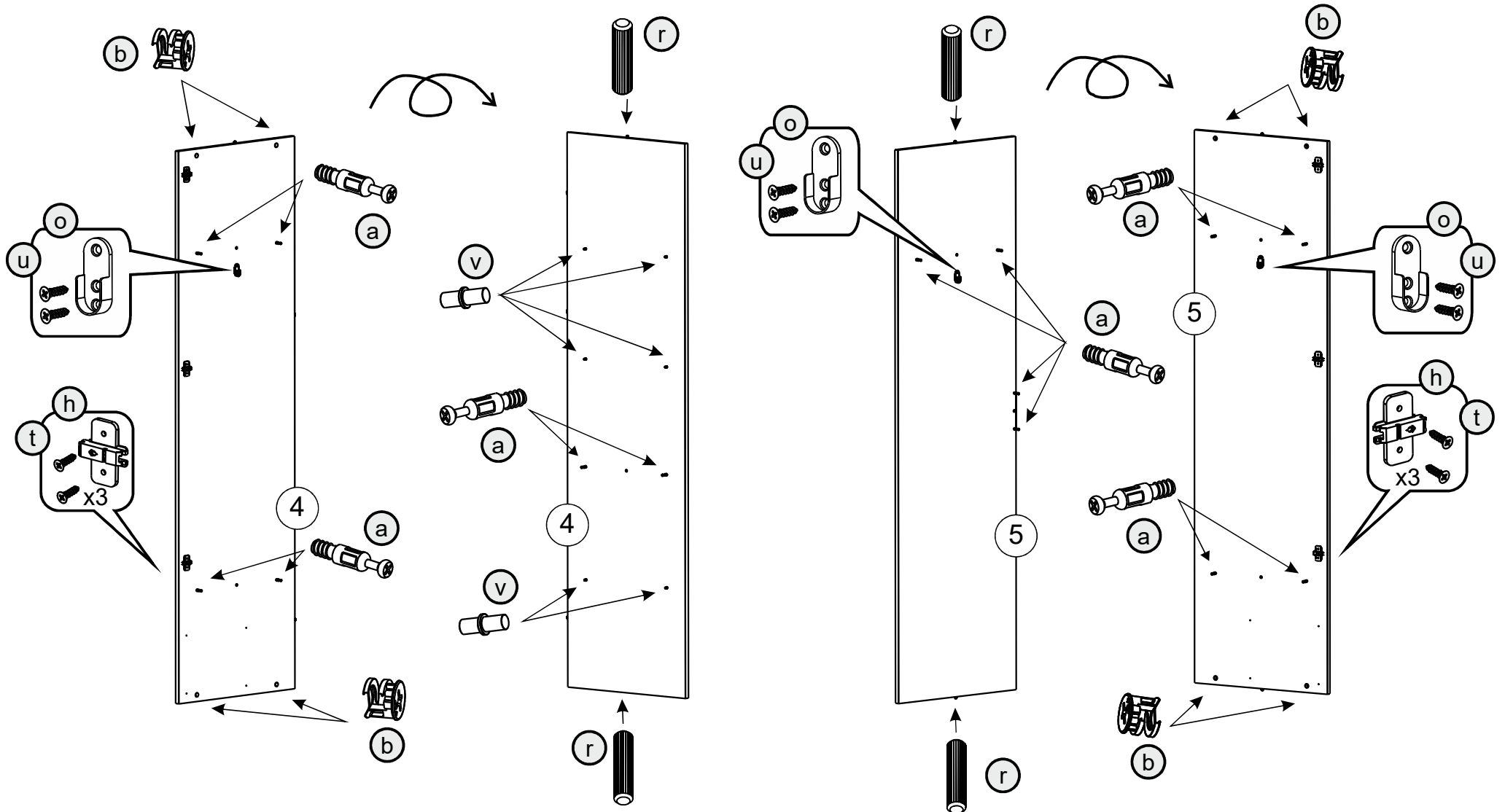
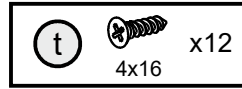
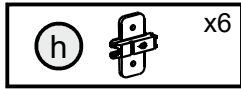
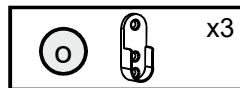
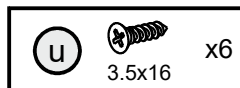
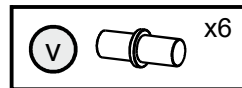
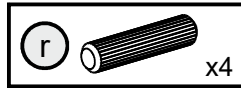
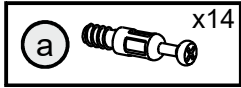


3

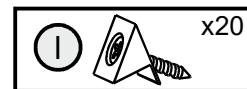
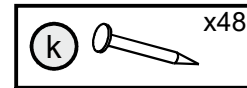
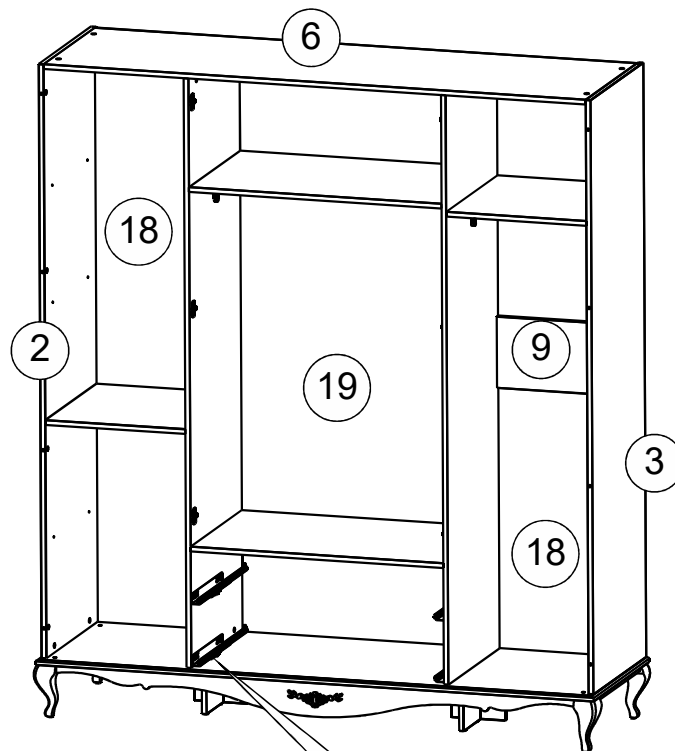
- e x8
- g x6
- t 4x16 x28



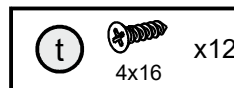
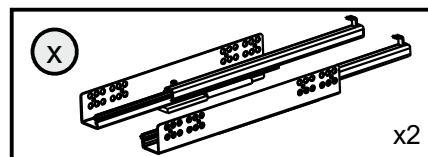
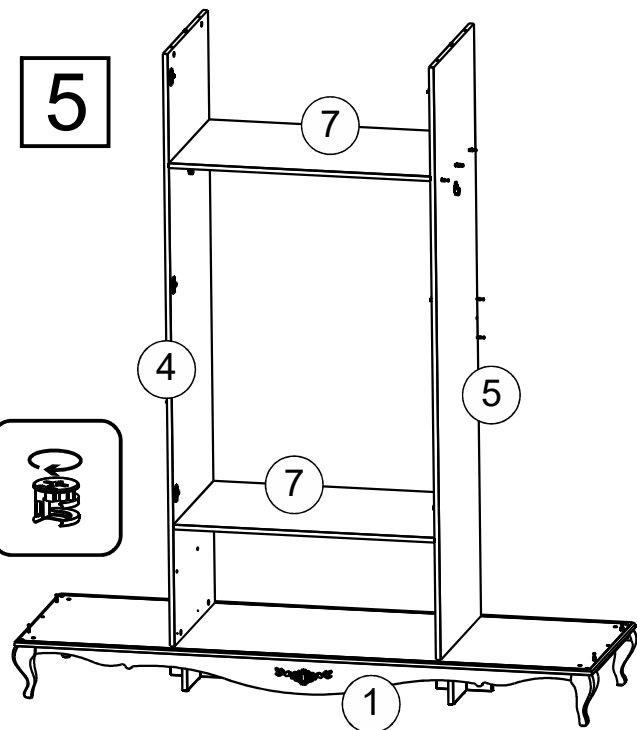
4



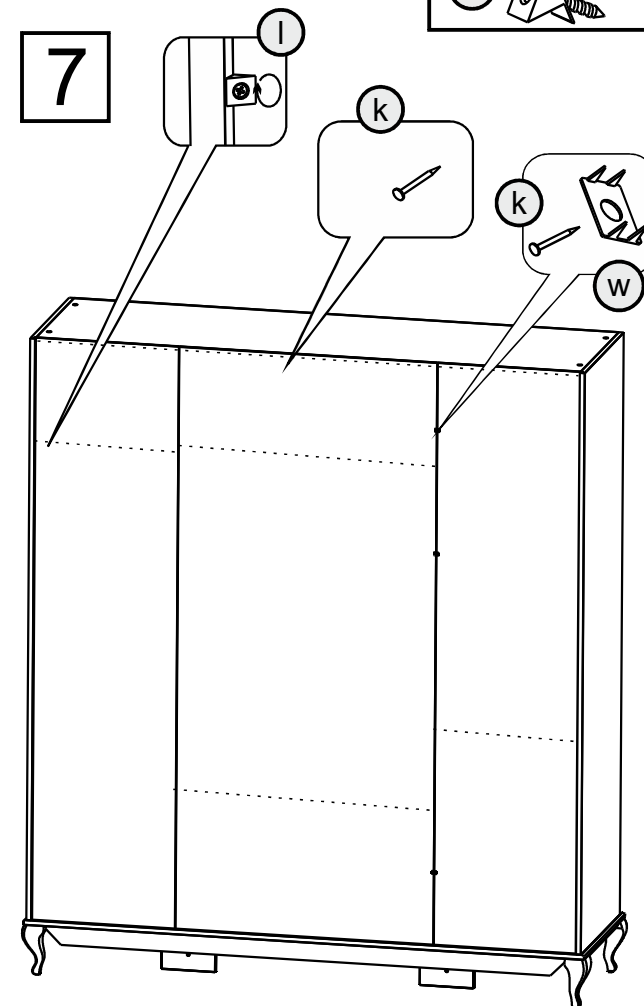
6



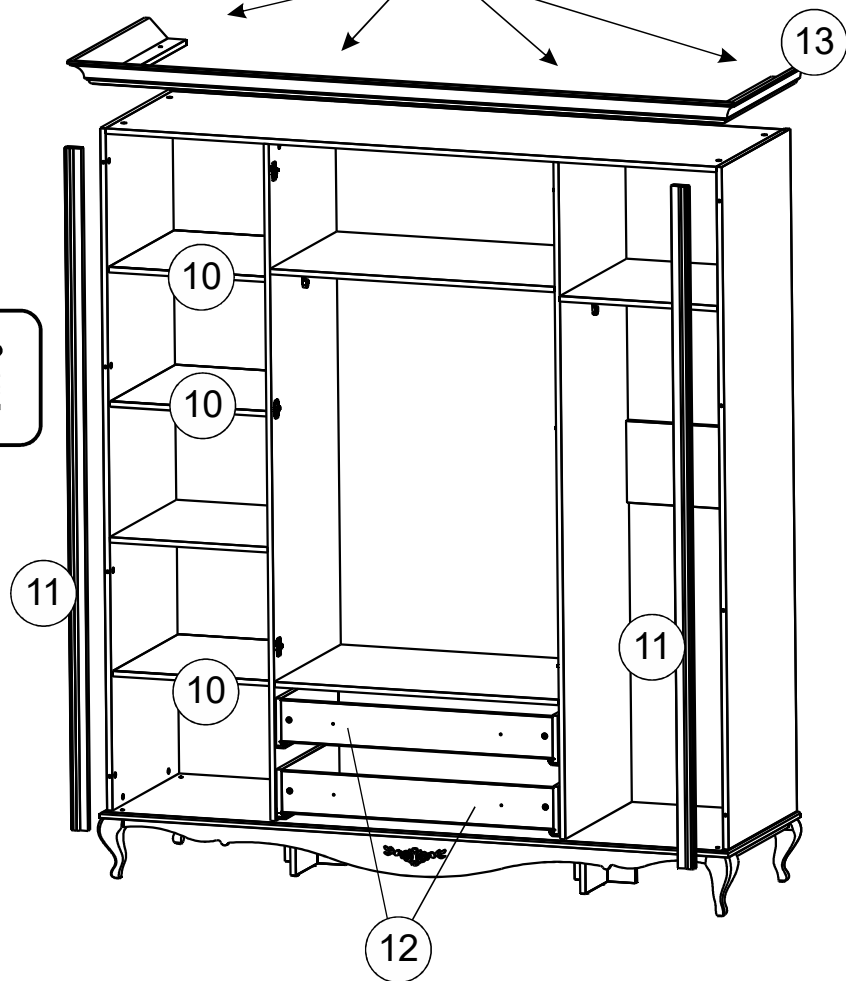
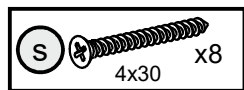
5



7



8



9

