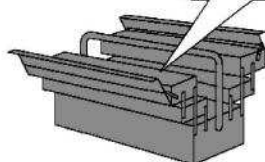
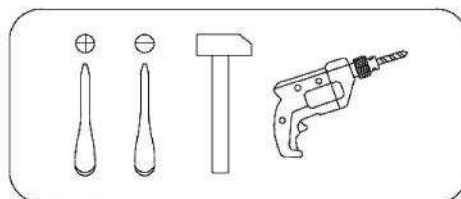
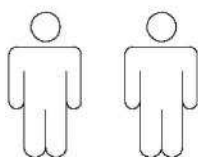
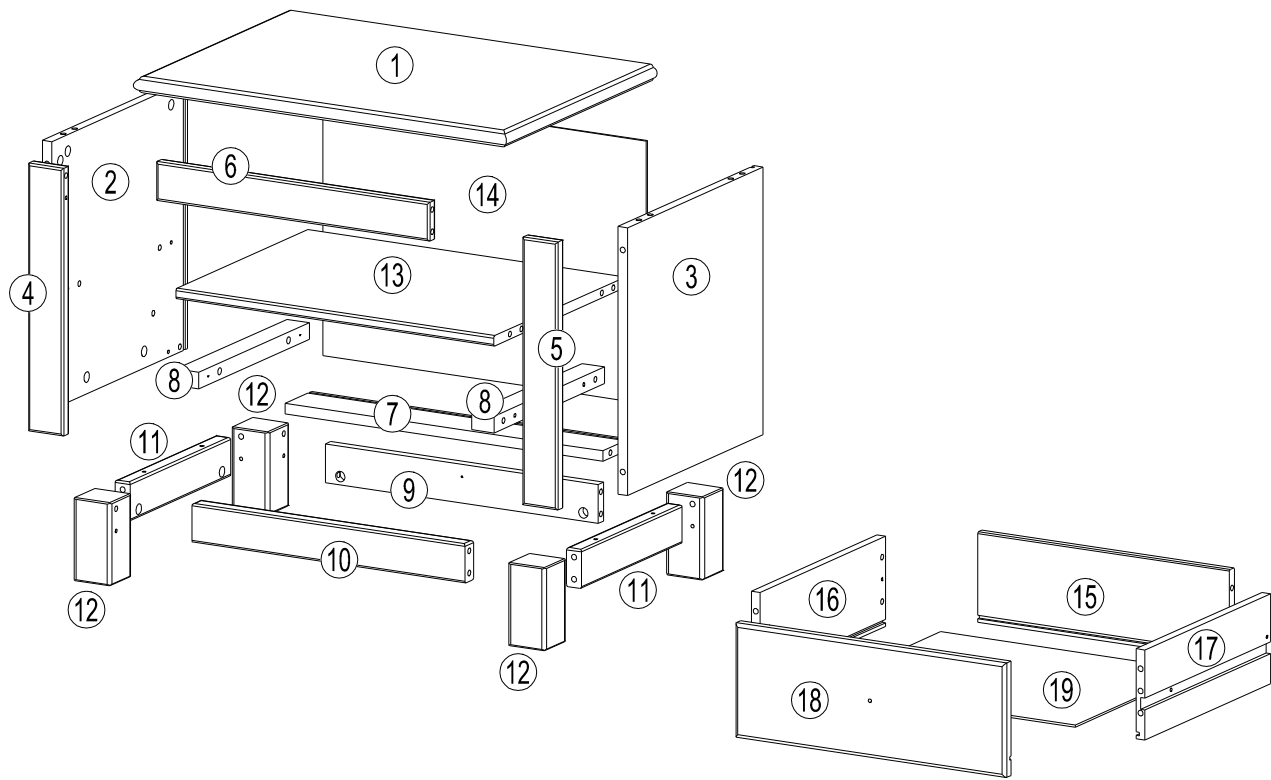
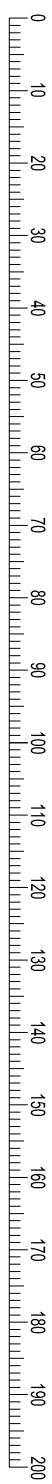


- | | | | |
|-----------|------------------------------------|-----------|--------------------------------|
| D | Montageanleitung | GB | Assembly instructions |
| FR | Notice de montage | IT | Istruzioni di montaggio |
| NL | Handleiding voor de montage | PL | Instrukcja montażu |
| CZ | Montážní návod | SK | Návod na montáž |
| HU | Szerelési útmutató | RO | Instrukțiuni de montaj |
| TR | Montaj talimatı | RU | Инструкция по монтажу |

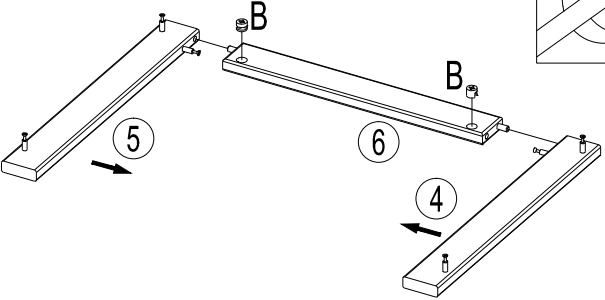




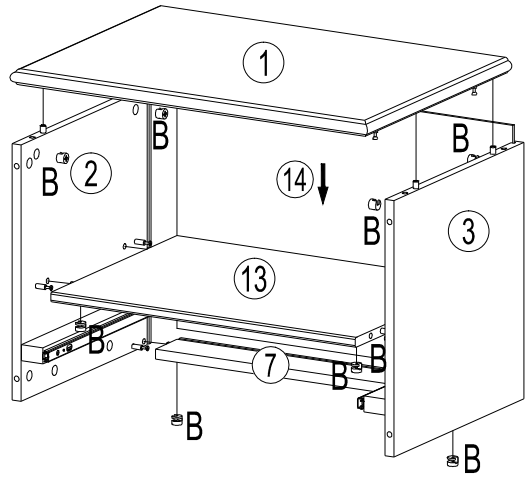
- | | | | | | |
|-----------------------------|--------------------------------|---------------------------------|---------------------------------|---------------------------------|-------------------------------|
| A 030093
x30 | B 030110
x30 | C 230010
8x32
x32 | D 210042
a) b) c) x1 | E 030056
M4x35
x1 | F 180074
x1 |
| H 17x10 160015
x2 | J 030043
M4x10
x2 | M 250012
3.5x15
x6 | N 250024
3.5x35
x6 | O 070017
30x30
x4 | |
| | | P 180080
x1 | Q 090004
x1 | R 250012
3.5x15
x1 | S 250044
4x40
x1 |

No	Size/MaB (mm)	Qty	✓	No	Size/MaB (mm)	Qty	✓
1	600x420x24	1		11	280x56x24	2	
2	386x378x15	1		12	120x60x60	4	
3	386x378x15	1		13	511x367x15	1	
4	386x56x18	1		14	520x380x3	1	
5	386x56x18	1		15	405x130x14	1	
6	439x56x18	1		16	350x130x14	1	
7	511x74x15	1		17	350x130x14	1	
8	308x36x24	2		18	435x165x18	1	
9	439x56x15	1		19	414x342x3	1	
10	439x56x24	1					

5 B 030110 x2



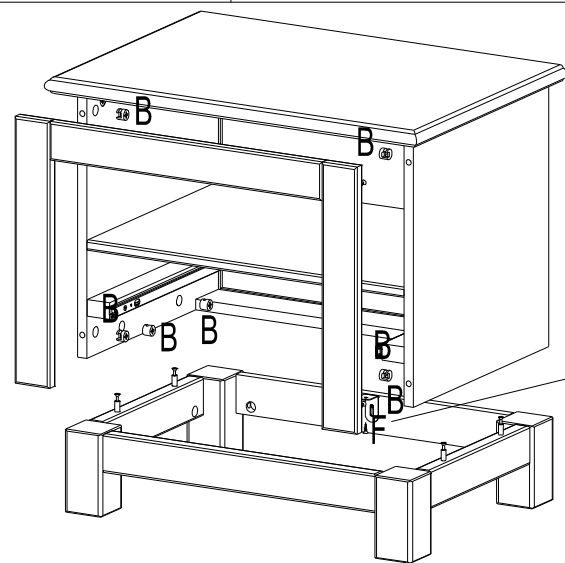
6 B 030110 x10



7 B 030110 x8

F 180074 x1

M 250012 3.5x15 x2



8 J 030043 M4x10 x2

P 180080 x1

Q 090004 x1

R 250012 3.5x15 x1

S 250044 4x40 x1

