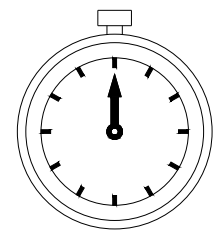
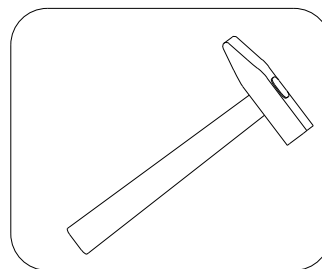
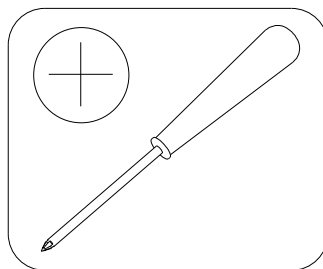
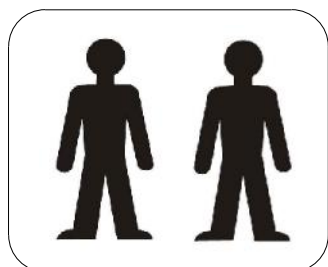
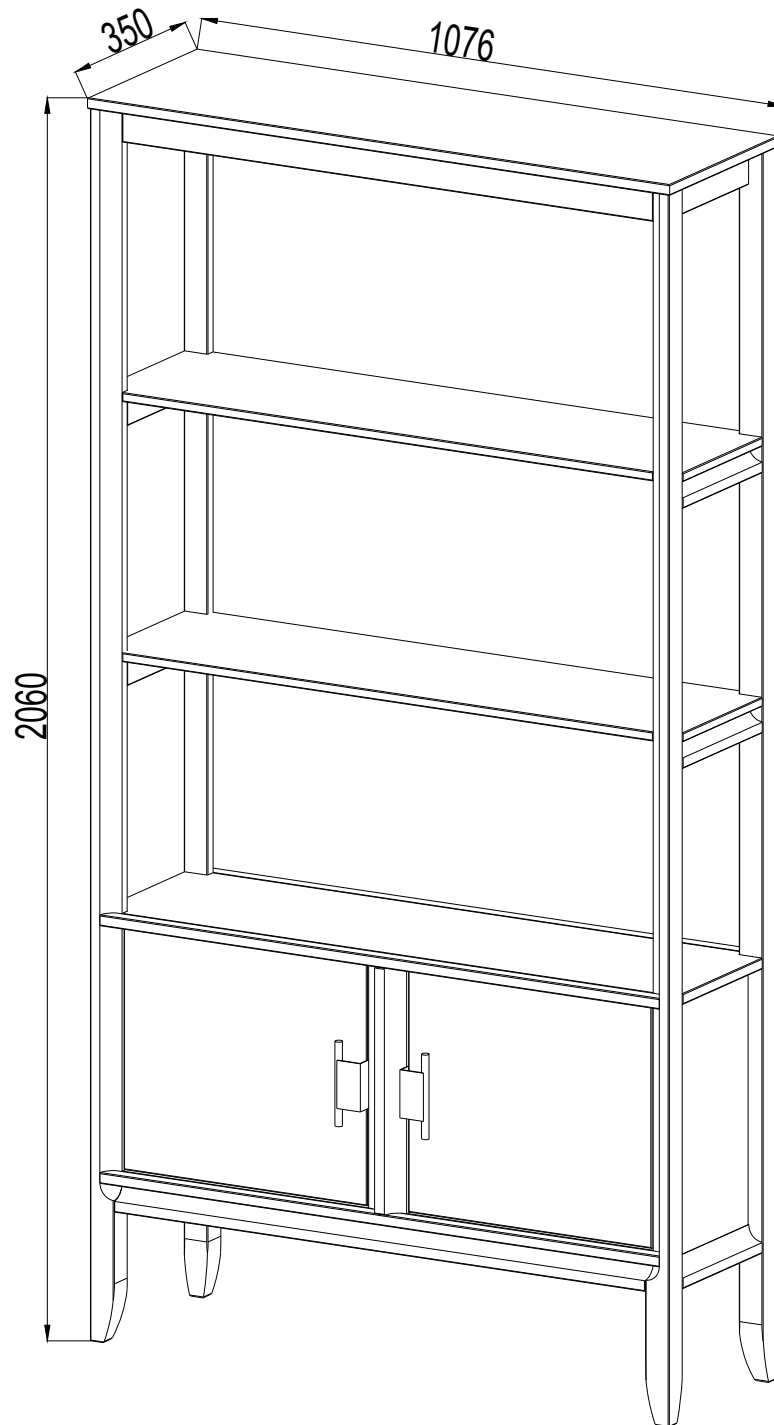
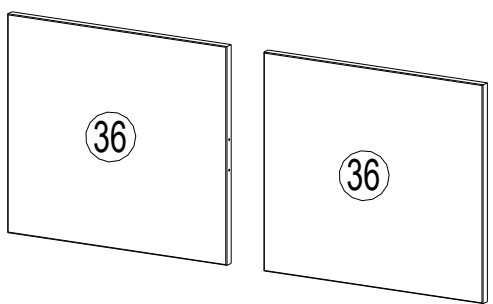
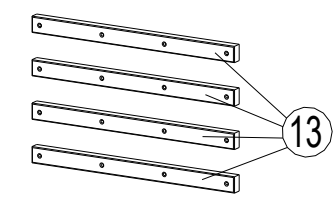
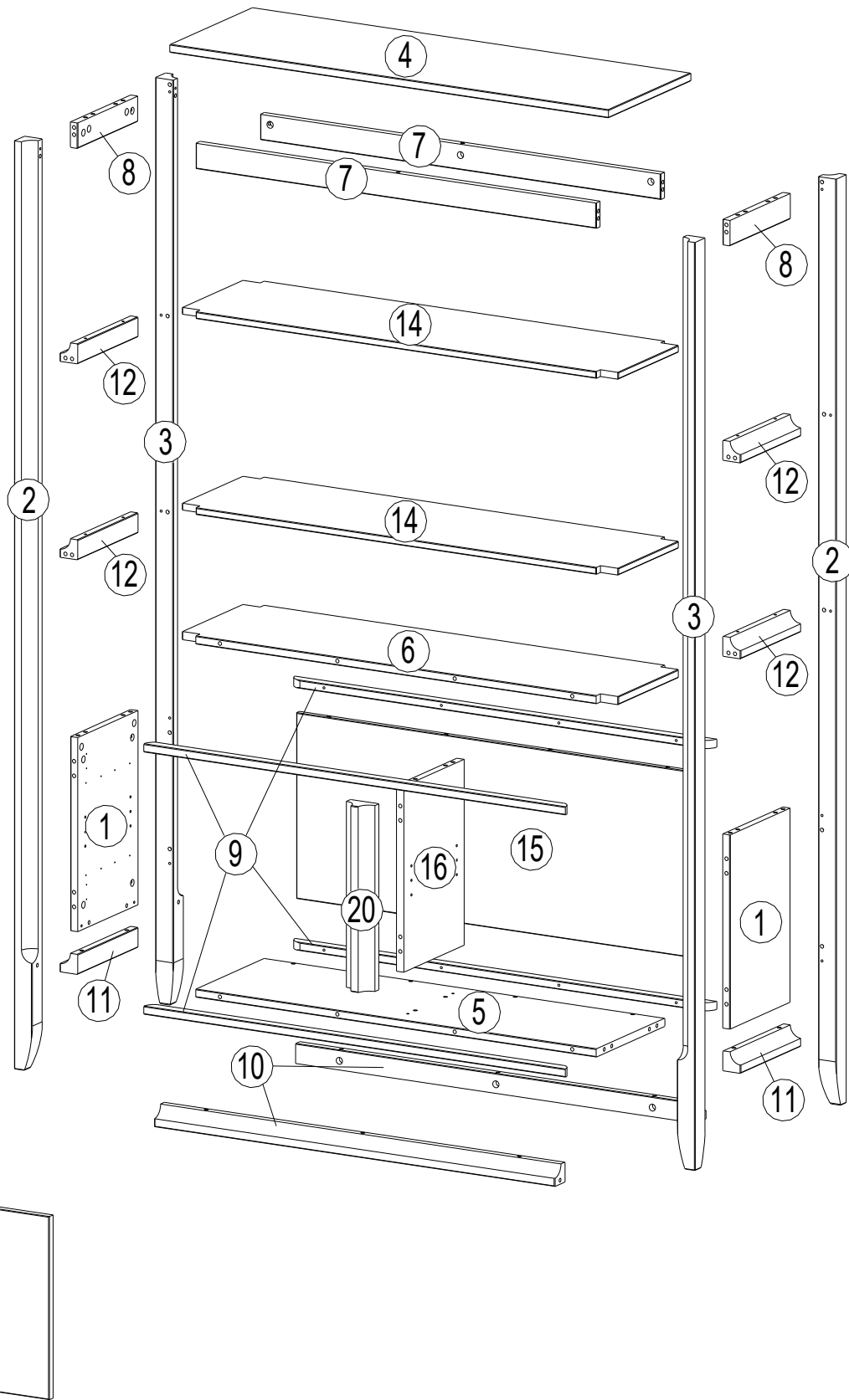
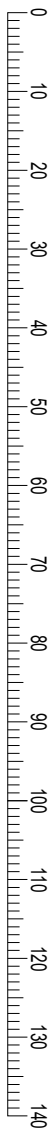


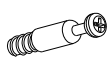

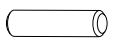

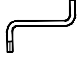



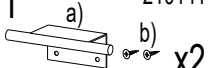


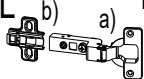
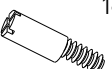






«SanRemi»  
<https://sanremi-home.ru>  
e-mail: [sanremi@list.ru](mailto:sanremi@list.ru)  
+7 (812) 920-36-23

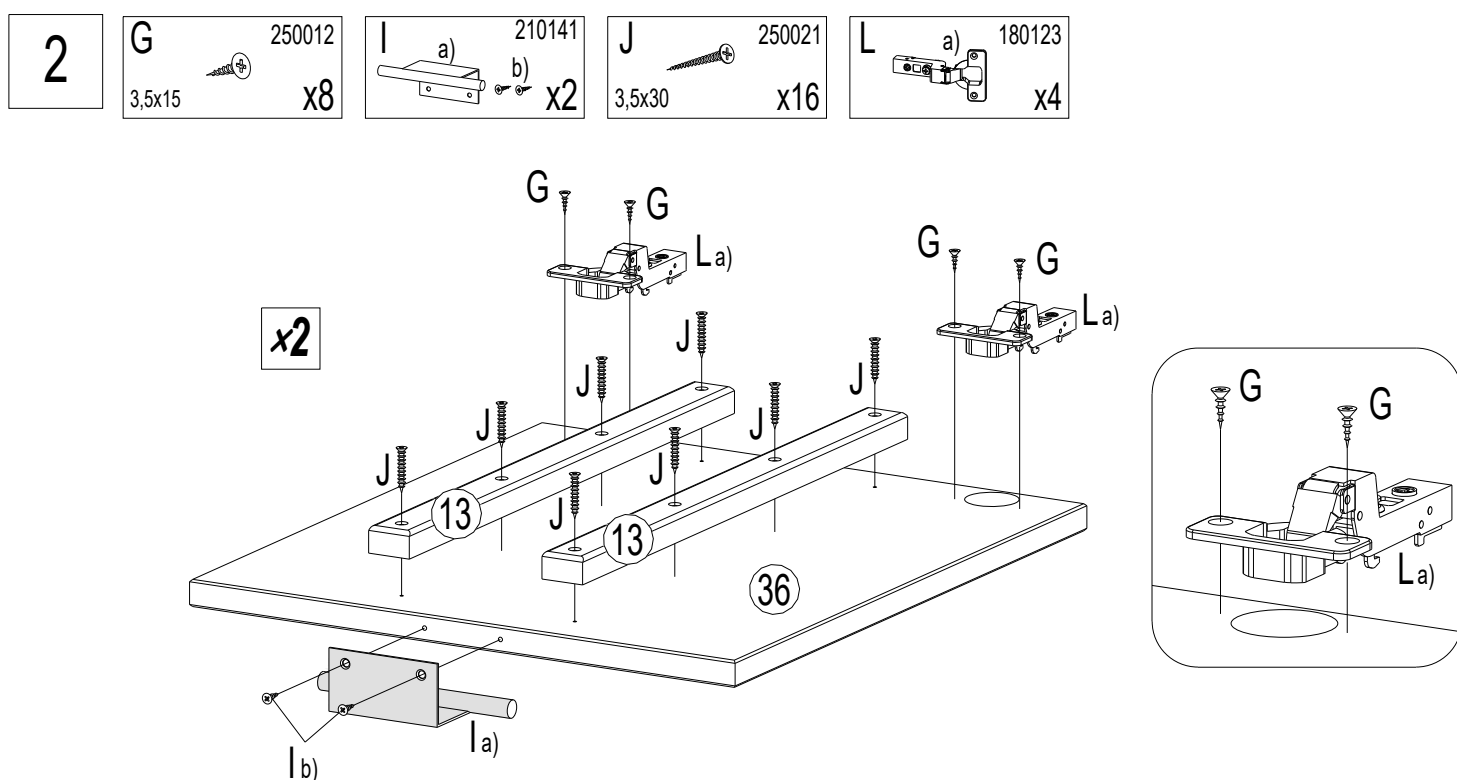
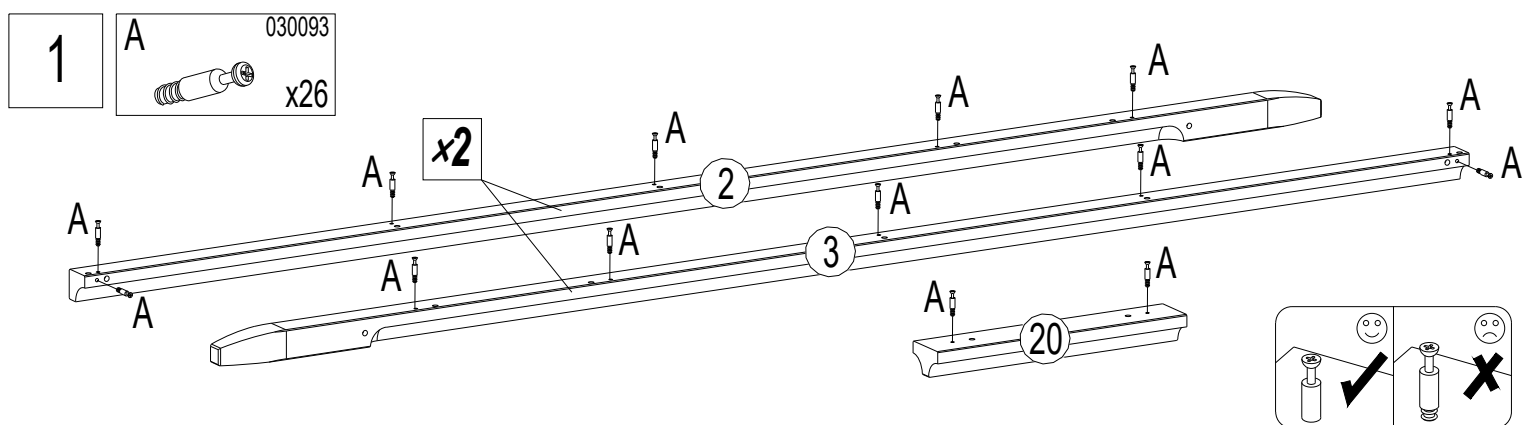


120 min

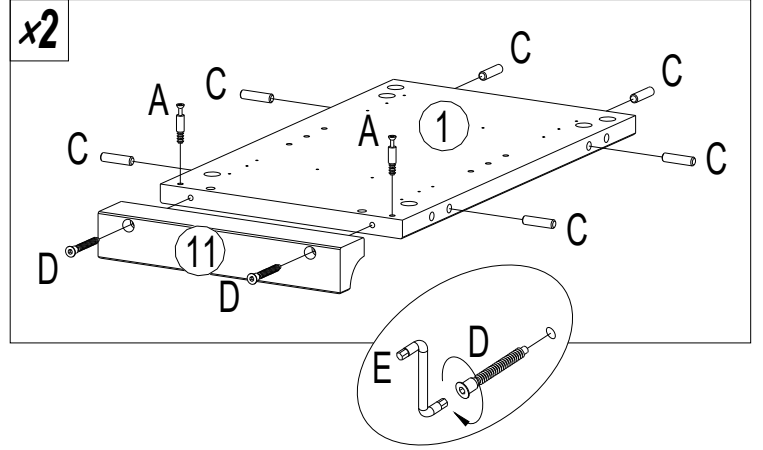
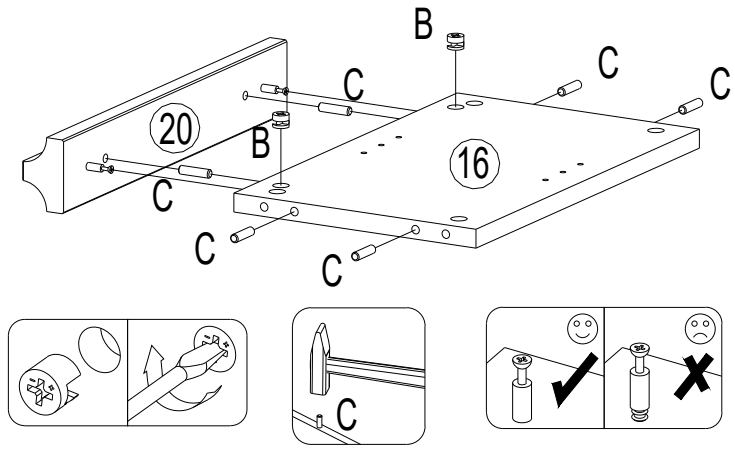


<b>A</b>  030093 x66	<b>B</b>  030110 x66	<b>C</b>  230010 8x32 x54	<b>D</b>  030033 7x50 x4	<b>E</b>  110022 SW4 x1	<b>F</b>  100077 100078 100079 x14
<b>G</b>  250012 3,5x15 x16	<b>H</b>  070017 30x30 x4	<b>I</b>  210141 a) b) x2	<b>J</b>  250021 3,5x30 x16	<b>K</b>  250030 3,5x50 x8	<b>L</b>  180123 a) b) x4
<b>M</b>  140007 x2	<b>Z1</b>  090004 8x40 x2	<b>Z2</b>  180080 76x31x15 x2	<b>Z3</b>  250012 3,5x15 x2	<b>Z4</b>  250044 4x40 x2	

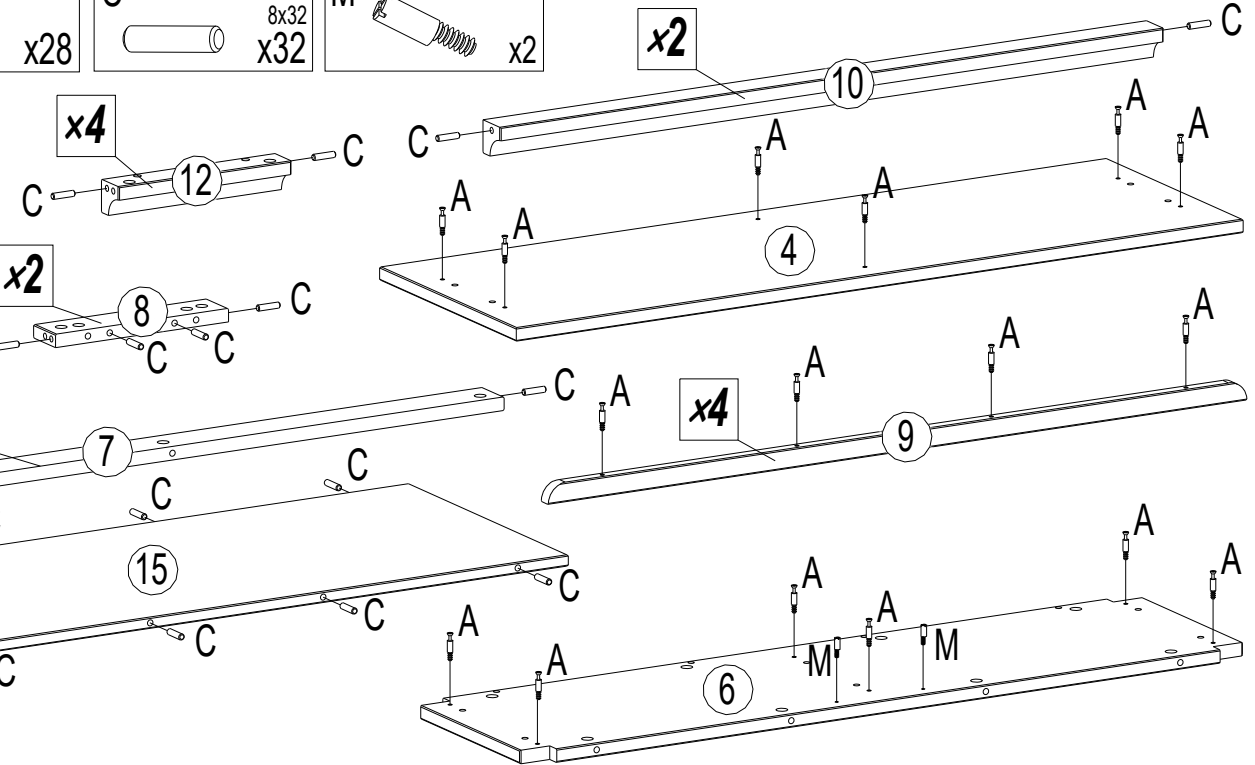
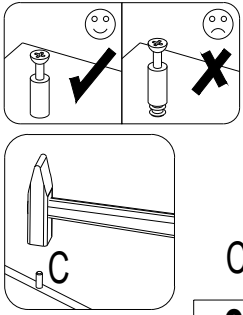
No	Size/MaB (mm)	Qty	✓	No	Size/MaB (mm)	Qty	✓
1	427x256x18	2		10	982x44x44	2	
2	2042x44x44	2		11	256x44x44	2	
3	2042x44x44	2		12	256x44x44	4	
4	1076x350x18	1		13	416x30x18	4	
5	982x292x18	1		14	1070x292x15	2	
6	1070x292x18	1		15	982x409x15	1	
7	982x56x18	2		16	409x256x18	1	
8	256x56x18	2		20	409x70x44	1	
9	1034x26x18	4		36	403x450x18	2	



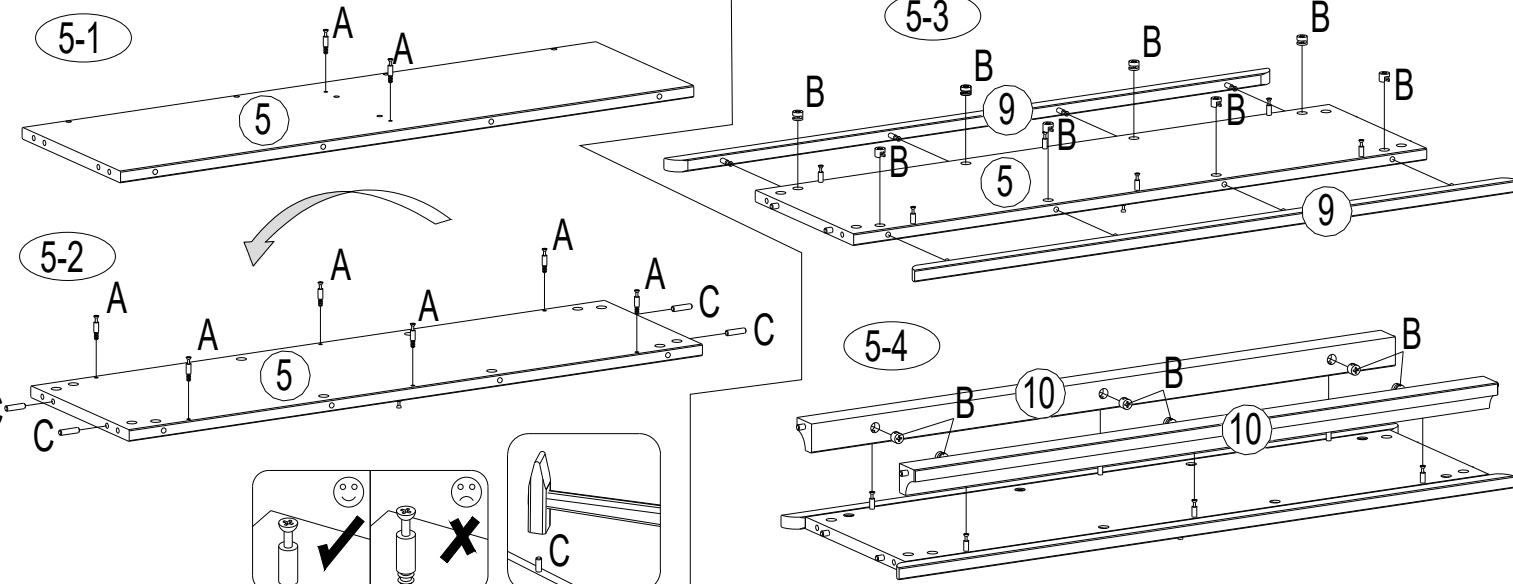
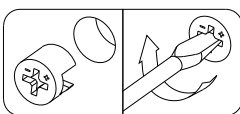
- |          |                       |                       |                                |                               |                              |
|----------|-----------------------|-----------------------|--------------------------------|-------------------------------|------------------------------|
| <b>3</b> | <b>A</b> 030093<br>x4 | <b>B</b> 030110<br>x2 | <b>C</b> 230010<br>8x32<br>x18 | <b>D</b> 030033<br>7x50<br>x4 | <b>E</b> 110022<br>SW4<br>x1 |
|----------|-----------------------|-----------------------|--------------------------------|-------------------------------|------------------------------|



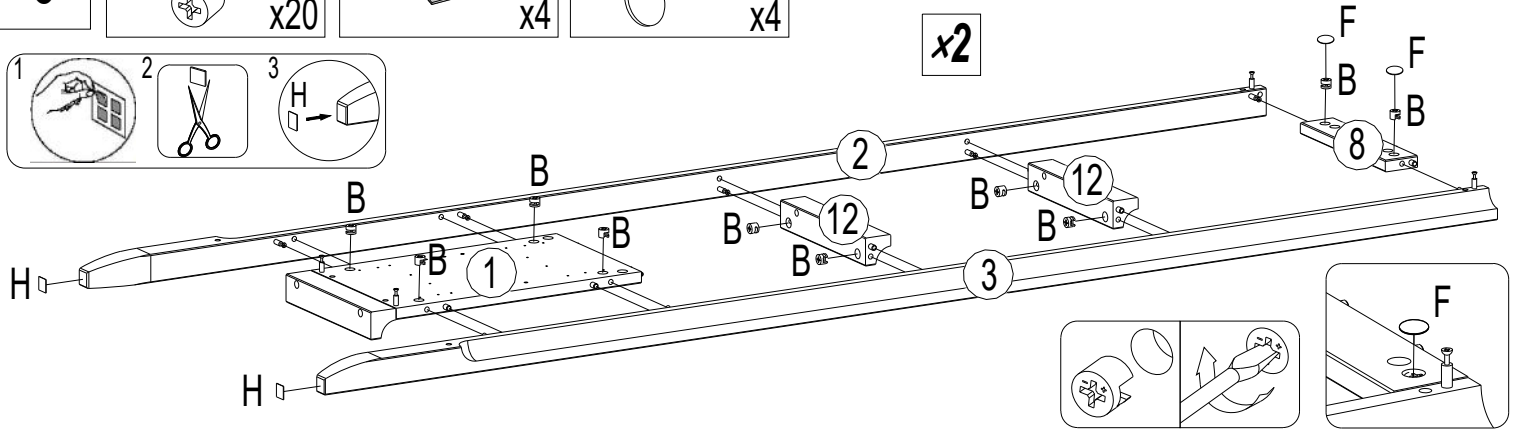
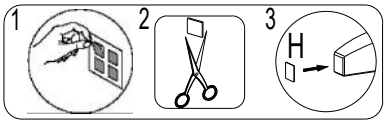
- |          |                        |                                |                       |
|----------|------------------------|--------------------------------|-----------------------|
| <b>4</b> | <b>A</b> 030093<br>x28 | <b>C</b> 230010<br>8x32<br>x32 | <b>M</b> 140007<br>x2 |
|----------|------------------------|--------------------------------|-----------------------|



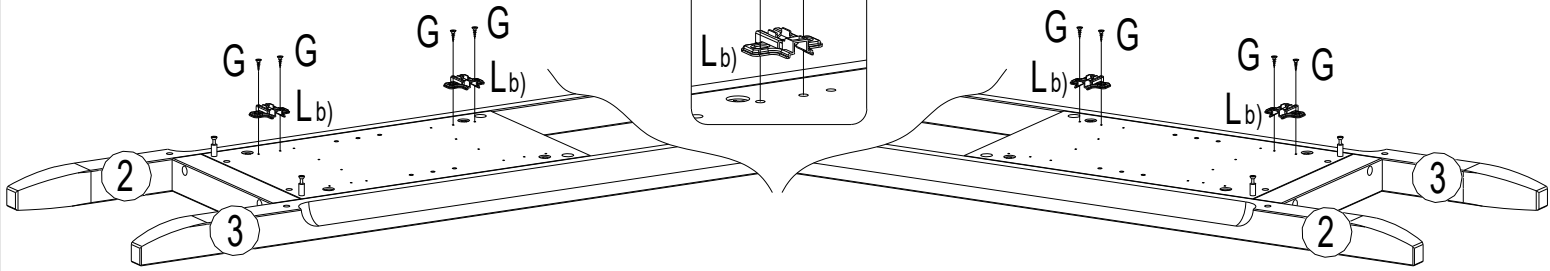
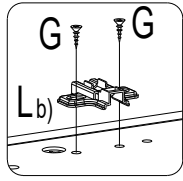
- |          |                       |                        |                               |
|----------|-----------------------|------------------------|-------------------------------|
| <b>5</b> | <b>A</b> 030093<br>x8 | <b>B</b> 030110<br>x14 | <b>C</b> 230010<br>8x32<br>x4 |
|----------|-----------------------|------------------------|-------------------------------|



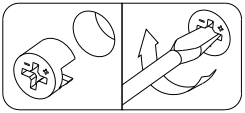
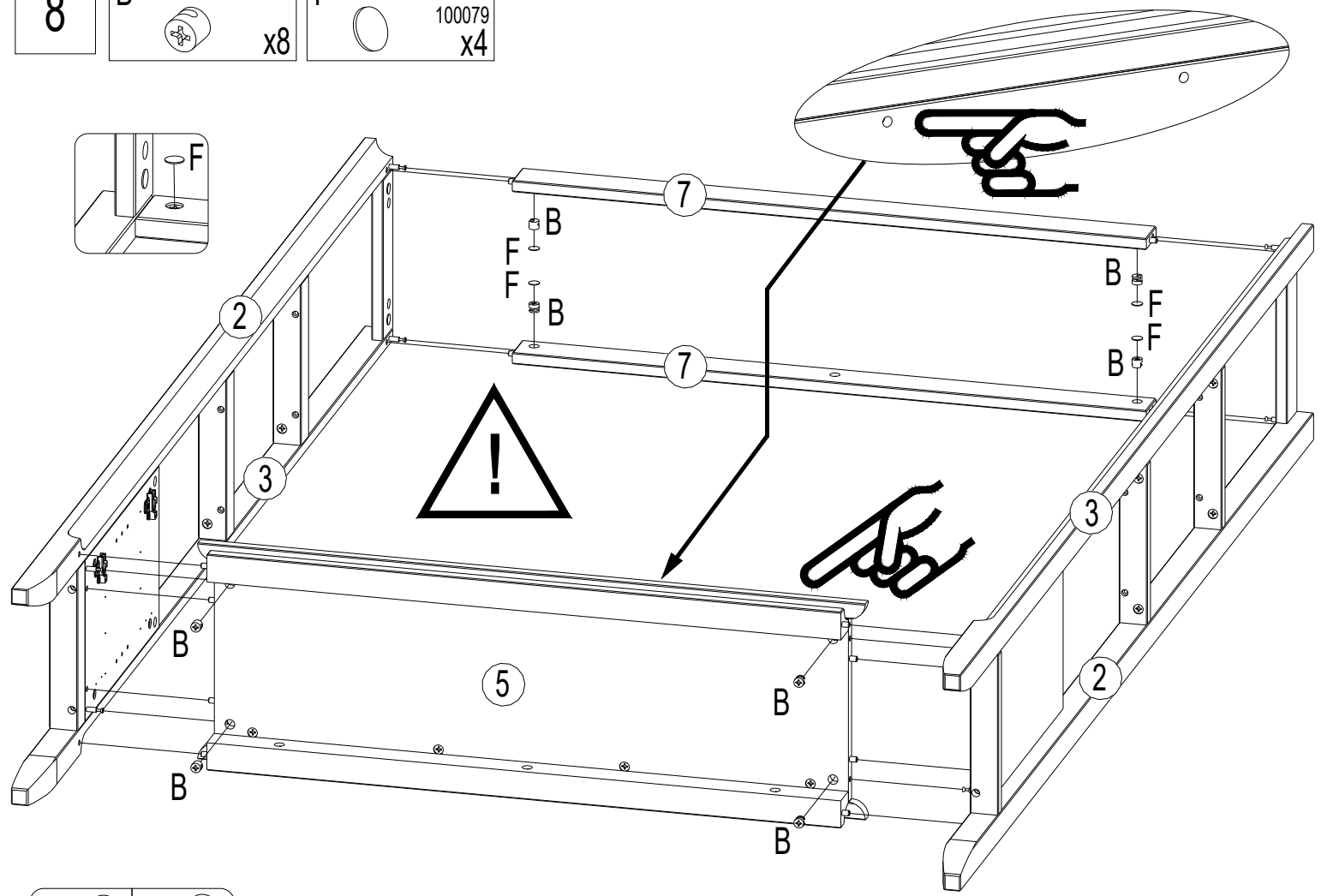
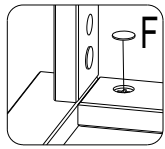
- 6** **B** 030110 x20
- H** 070017 30x30 x4
- F** 100077 100078 100079 x4



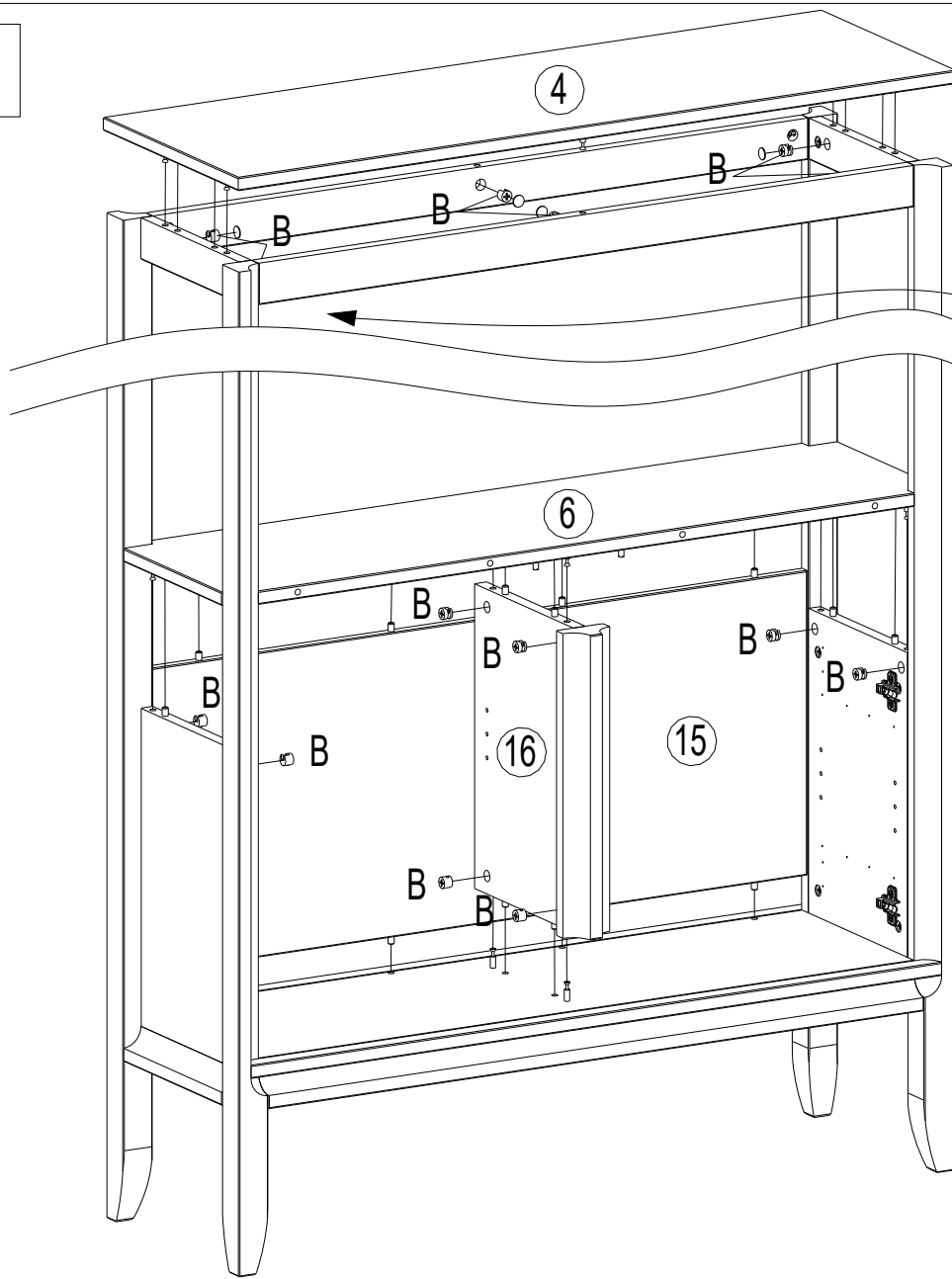
- 7** **L** b) 180123 x4
- G** 250012 3,5x15 x8



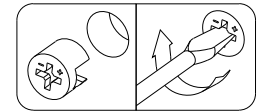
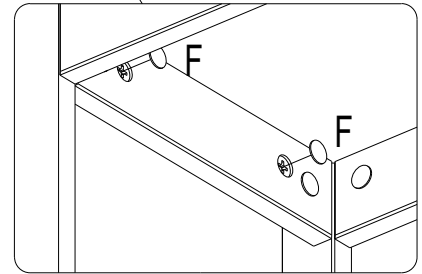
- 8** **B** 030110 x8
- F** 100077 100078 100079 x4



9

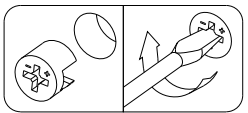
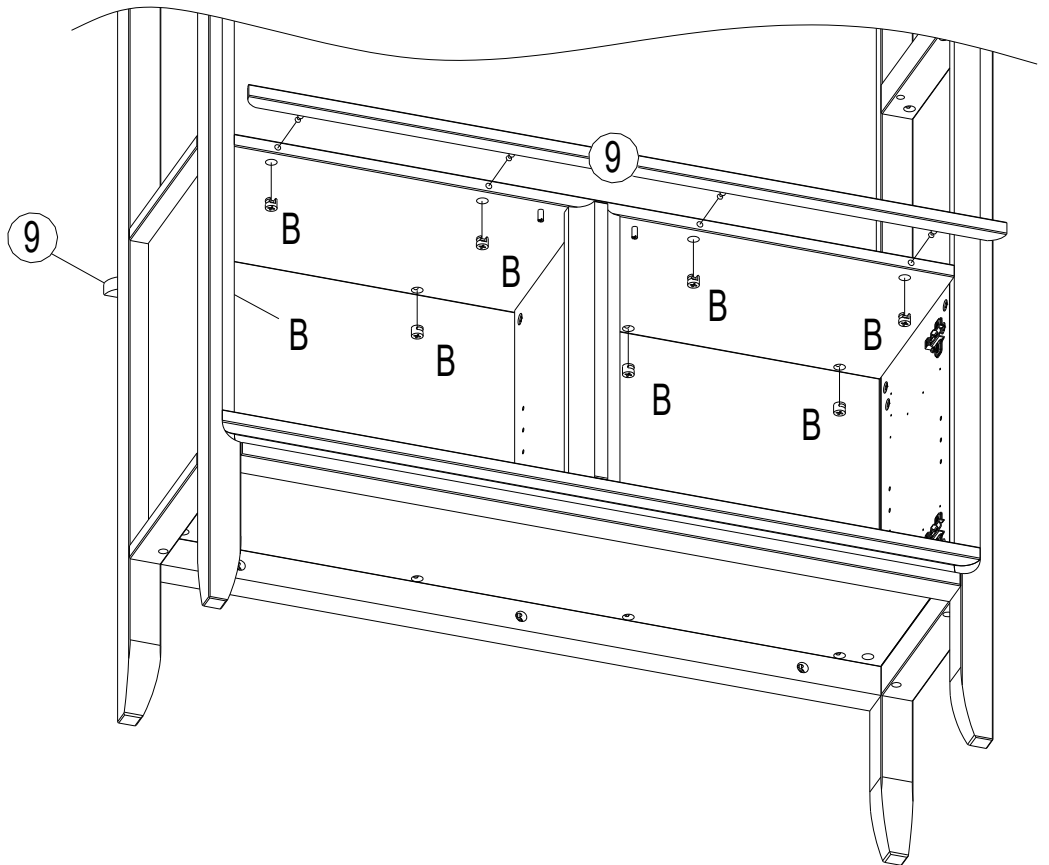


- B 030110 x14
- F 100077 100078 100079 x6



10

- B 030110 x8



11

K 250030  
3,5x50 x8

Z1 090004  
8x40 x2

Z2 180080  
76x31x15 x2

Z3 250012  
3,5x15 x2

Z4 250044  
4x40 x2

