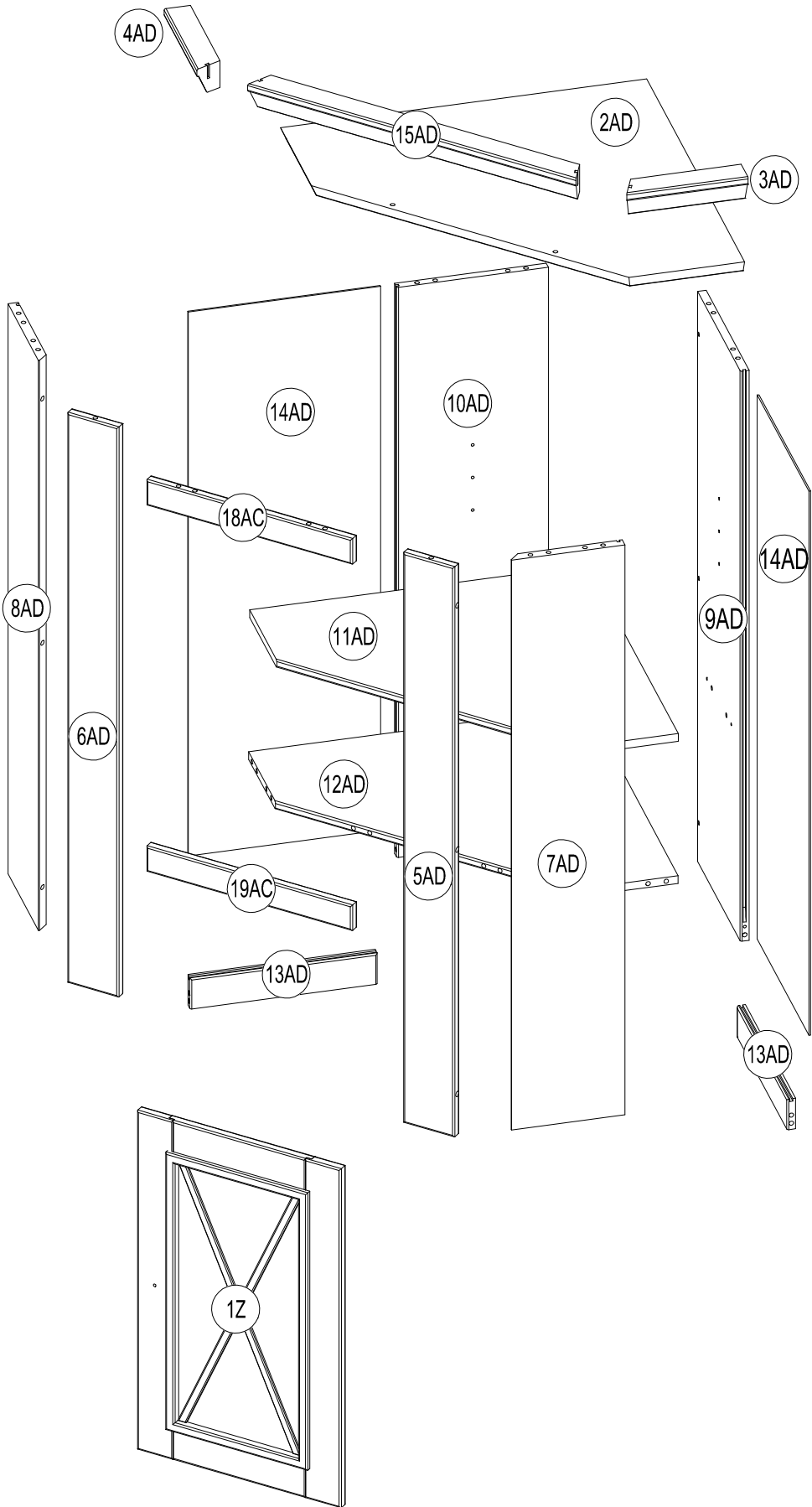
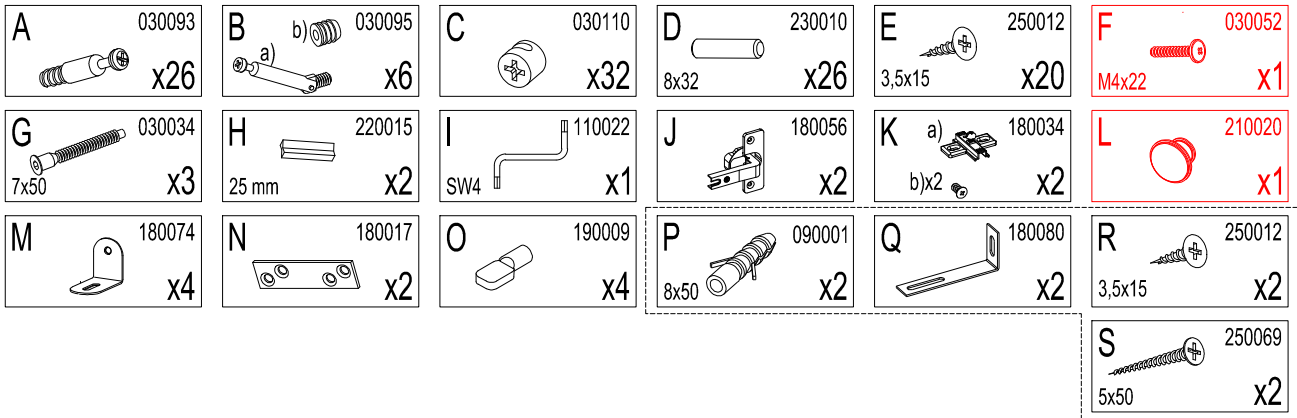


120 min

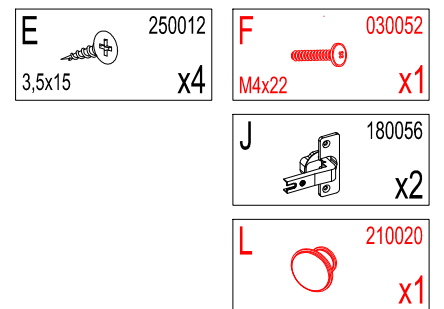
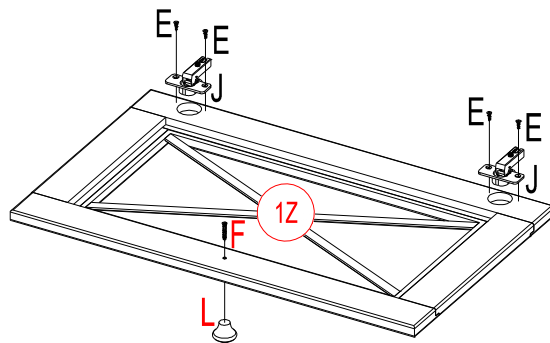
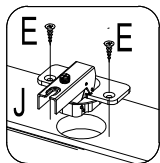
**EAC**



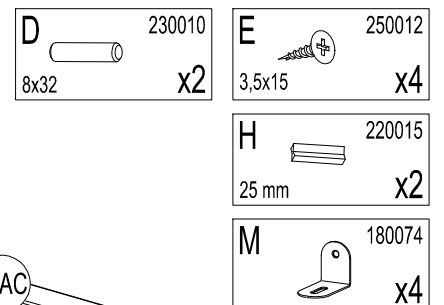
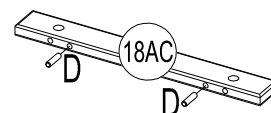
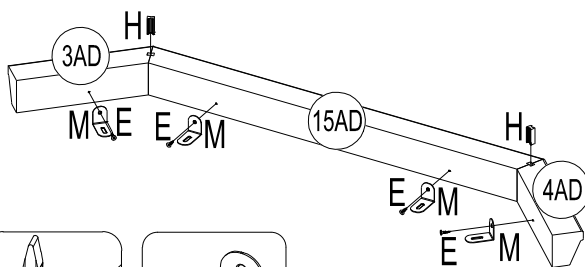
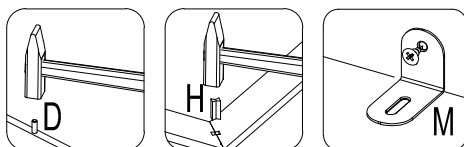


No	Size/MaB (mm)	Qty	✓	No	Size/MaB (mm)	Qty	✓
1Z	666x400x27	1		10AD	1120x267x15	1	
2AD	912x600x24	1		11AD	843x546x15	1	
3AD	214x43x56	1		12AD	844x547x15	1	
4AD	214x43x56	1		13AD	330x60x15	2	
5AD	1120x100x18	1		14AD	1069x339x3	2	
6AD	1120x100x18	1		15AD	645x53x46	1	
7AD	1120x200x18	1		18AC	404x50x18	1	
8AD	1120x200x18	1		19AC	404x50x18	1	
9AD	1120x282x15	1					

1



2



**3**

<b>A</b>	030093 x12	<b>C</b>	030110 x2	<b>D</b>	230010 8x32 x2
				<b>E</b>	250012 3,5x15 x4

**4**

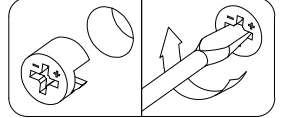
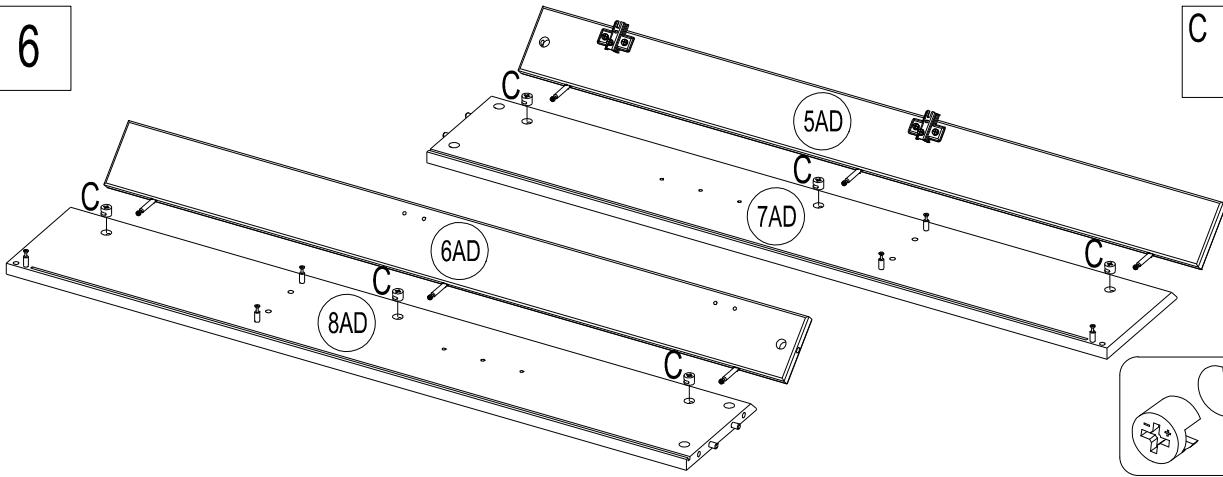
<b>A</b>	030093 x2	<b>D</b>	230010 8x32 x10
		<b>C</b>	030110 x2

**5**

<b>A</b>	030093 x6	<b>B</b>	b) 030095 a) x6	<b>D</b>	230010 8x32 x4
				<b>K</b>	a) 180034 b) x2 x2

6

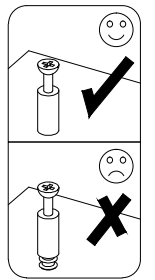
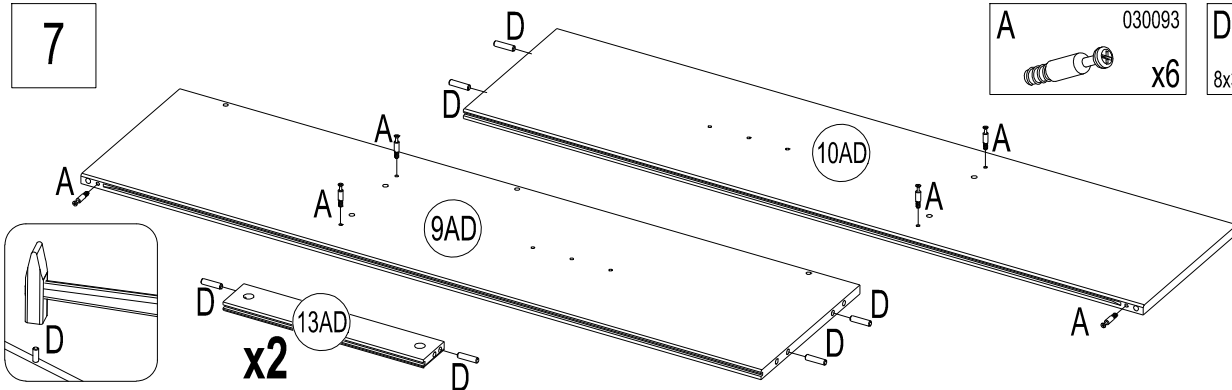
C 030110  
x6



7

A 030093  
x6

D 230010  
8x32  
x8



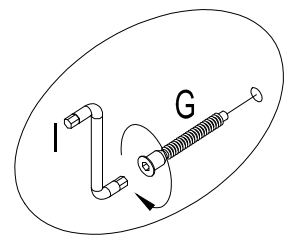
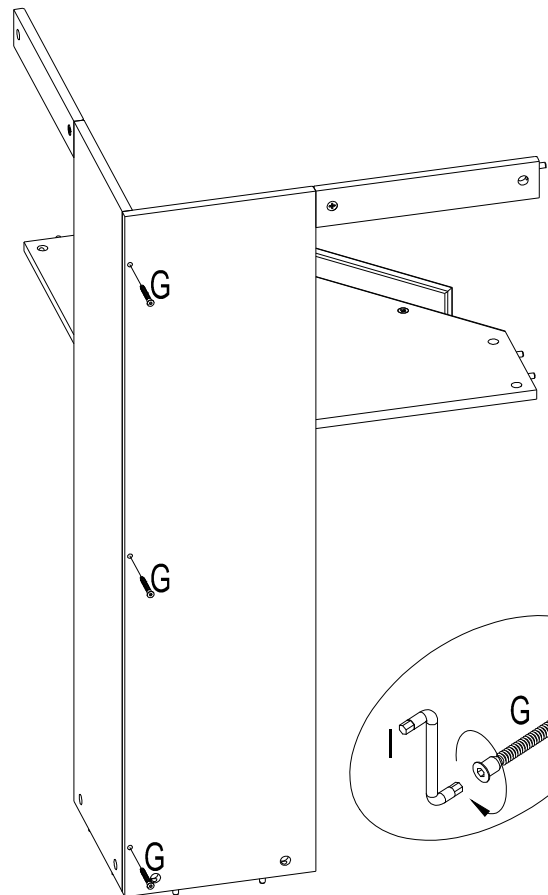
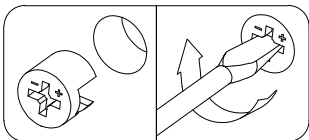
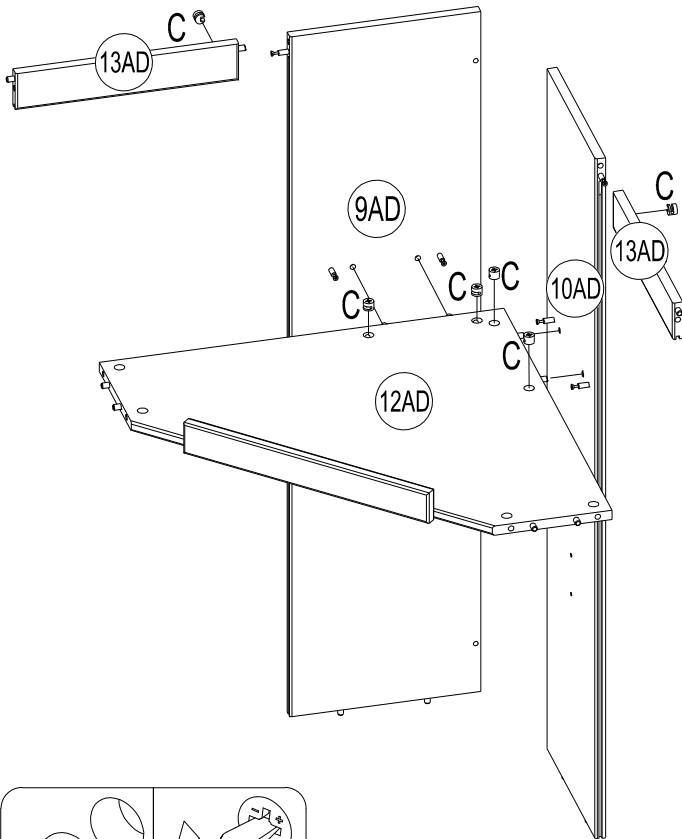
8

C 030110  
x6

9

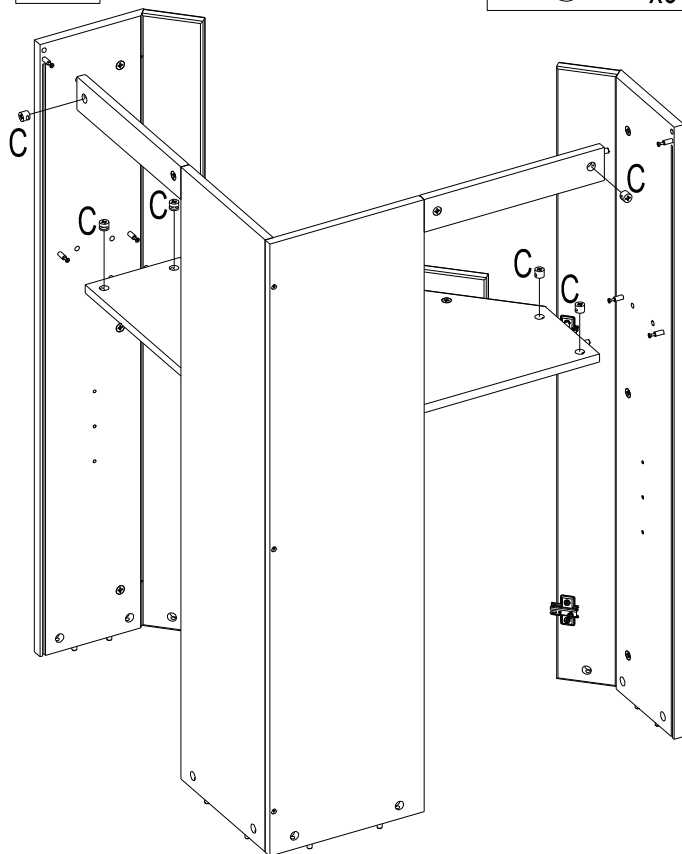
G 030034  
7x50  
x3

I 110022  
SW4  
x1



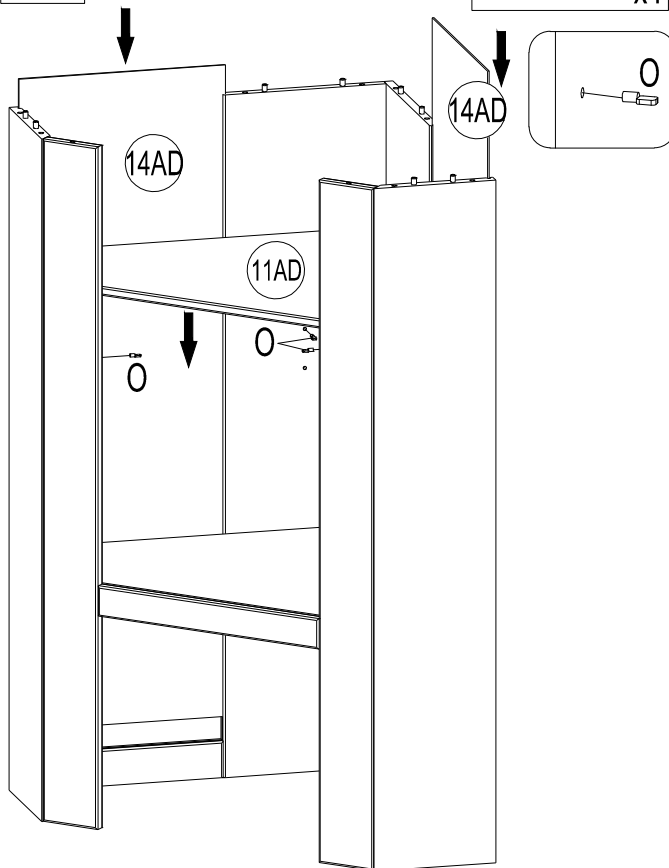
10

C 030110 x6

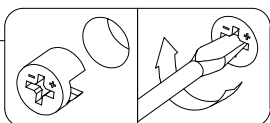


11

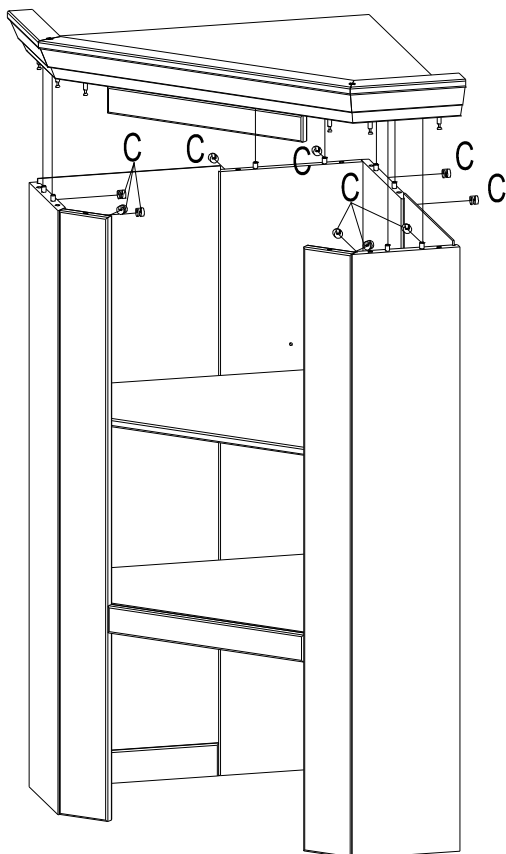
O 190009 x4



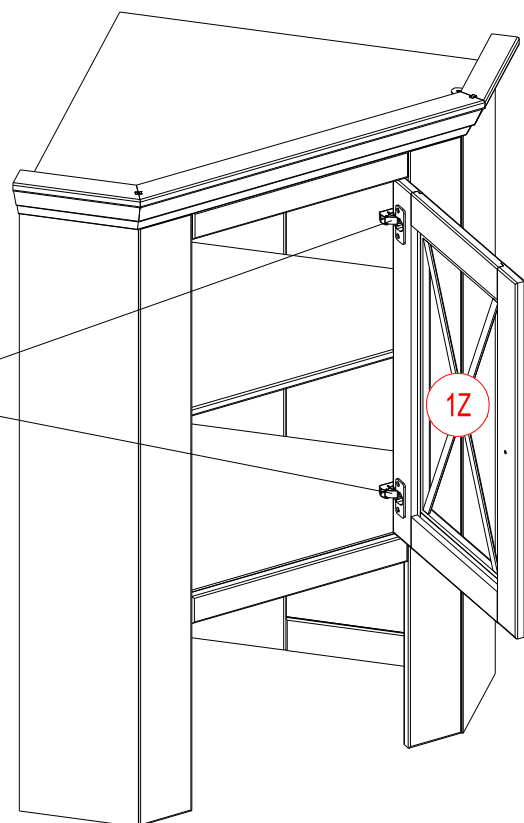
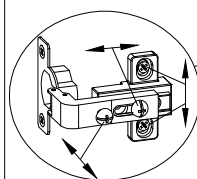
12



C 030110 x10



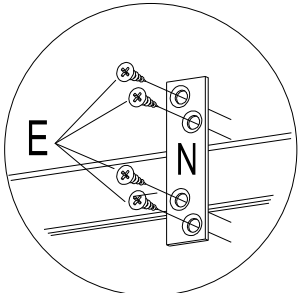
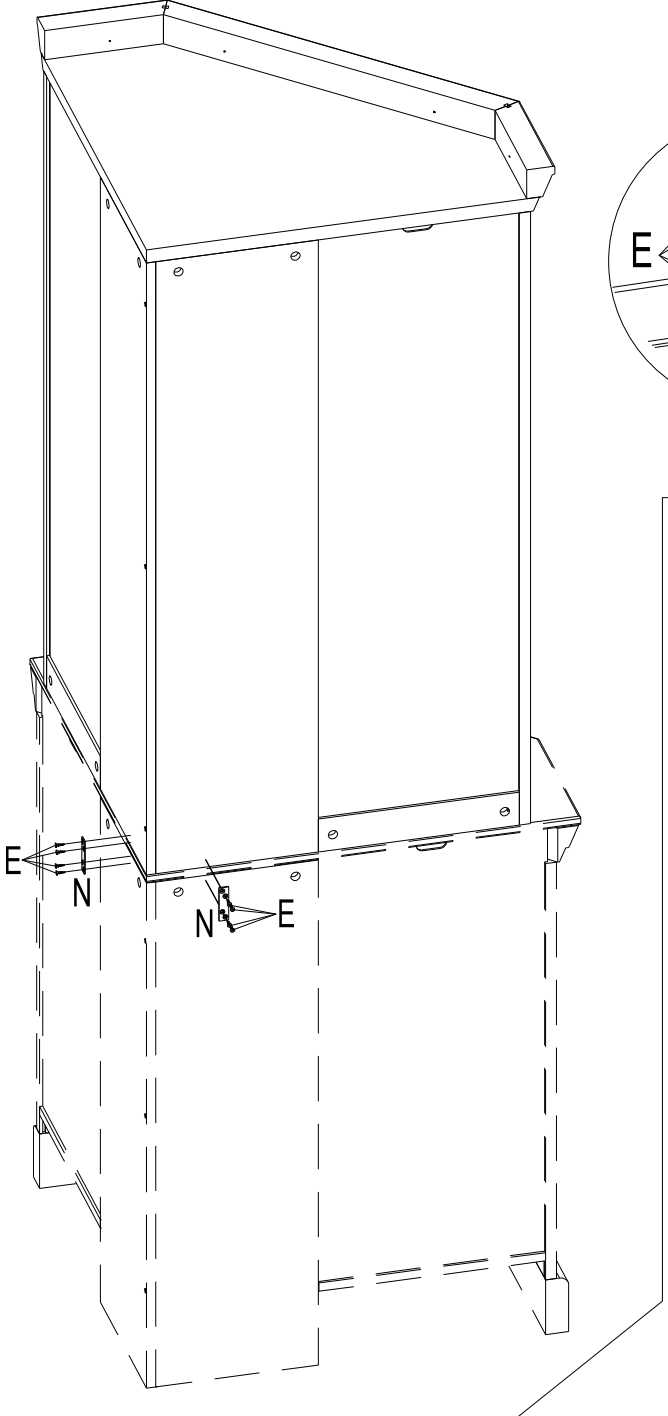
13



14

E 250012  
3,5x15 x8

N 180017  
x2



x2

15

P 090001  
8x50 x2

Q 180080  
x2

R 250012  
3,5x15 x2

S 250069  
5x50 x2

